



# EASYGATE TURNSTILE

Security without compromising

**cominfo**<sup>®</sup>  
Security First



The EasyGate speed gate range represents the latest innovation in entrance control systems, combining high security with user comfort. The combination of stainless steel together with glass, wood or other material (corian, black stainless steel or others) create an attractive aesthetic design. The powerful drive unit provides a large number of operating modes, good accessibility and a high level of personal safety.

A wide range of cabinet shapes, design and surface finishes, ensures that the turnstile will seamlessly fit into any interior decor.



## SWINGING SPEED TECHNOLOGY

combines the slim design of the EasyGate cabinet with a high speed drive unit. Our designers focused on fitting swing speed gates to any location whilst keeping the ability to implement a wide range of optional accessories without limitation. Moreover our technology offers different swinging models for indoors, as well as outdoor installation with the additional option of altering the cabinet length and glass wing barrier height which provides the perfect solution for all projects.

## SLIDING SPEED TECHNOLOGY

also known as speed gate technology has been developed by COMINFO to the highest design and security level. Slide opening provides an intuitive and easy passage for the users. These speed gates are adaptable and a various accessories and terminals or readers are easily integrated. The large variety of shapes and materials used for each sliding speed gate makes this turnstile suitable for any interior.

## CONTENTS

4	EasyGate Elite	24	EasyGate LG
6	EasyGate IM	26	EasyGate LX/LH
8	EasyGate BV	28	EasyGate FL/FH
10	EasyGate SPT-G/R	30	EasyGate SBG
12	EasyGate SPD-G/R	32	EasyGate SPA
14	EasyGate SG/SR 1000	34	Interlock gate
16	EasyGate SG/SR 1400	36	Specification overview
18	EasyGate HG/HR	38	Options & Accessories
20	EasyGate DG/DR	40	Project design
22	EasyGate WN	43	EasyGate Ticket



## > EasyGate Elite

### TYPE

- 1 wing / 2 wings
- Swinging technology
- Round front

### SAFETY & SECURITY DETECTION

- 18 - 30 pairs of IR sensors
- Safety & Security levels
- Tailgating / Cross over detection
- Crawl under / Climb over detection



EasyGate Elite / 990 mm



EasyGate Elite / 1 800 mm

### DIMENSIONS

Cabinet height	990 mm	(38.98")
Cabinet length	1 400 mm	(55.12")
Cabinet width	120 mm	(4.72")
Barrier height	standard 990 mm	(38.98")
	max. 1 800 mm	(70.87")
Passage width <sup>1</sup>	standard 650 mm	(25.59")
	max. 1 050 mm	(41.34")

<sup>1</sup> for 2 wings type



## MATERIAL AND COLOURS

<b>Cabinet</b>	brushed stainless steel
<b>Top Lid</b>	black glass Top Lid
<b>Barriers</b>	glass barrier panels (10 mm / 0.39", tempered)
<b>Side infill panel</b>	6 mm (0.24") tempered glass panels

## OPERATING ENVIRONMENT

Indoor

## DRIVE MECHANISM

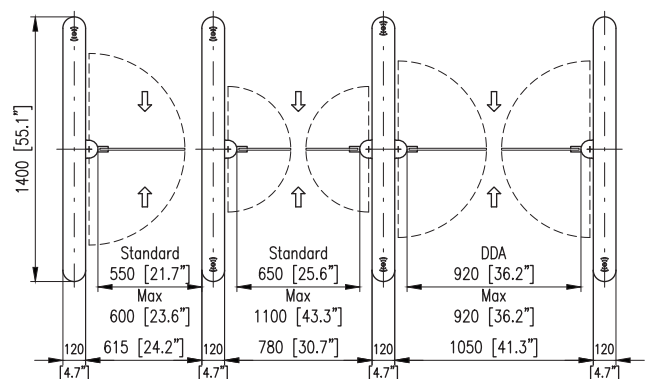
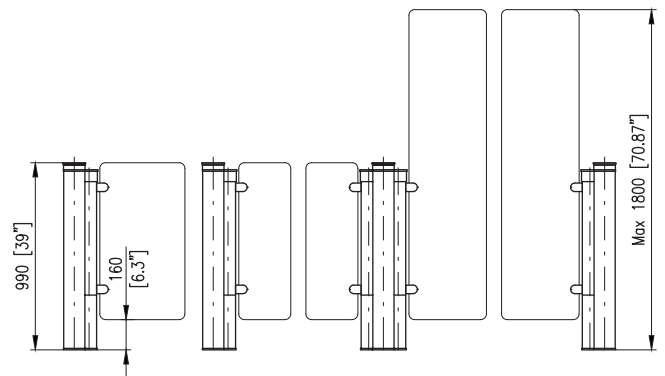
Fail-Safe

## EMERGENCY MODE

Open automatically in the exit direction

## OPTIONAL ACCESSORIES

- RFID reader bracket (flush mounted)
- Access Light / Edge Light
- WAV player
- Wing Light / Hinge capping
- USB convertor / Ethernet convertor
- EasyTouch / TouchPanel / T-MON SW
- SuperCap (emergency power back-up)
- Alternative surface finishes / Optional top finishes
- Ramp LT





## > EasyGate IM

### TYPE

- 1 wing / 2 wings
- Swinging technology
- Square front

### SAFETY & SECURITY DETECTION

- 36 pairs of IR sensors
- Safety & Security levels
- Tailgating / Cross over detection
- Crawl under / Climb over detection

### DIMENSIONS

Cabinet height	995 mm	(39.17")
Cabinet length	1 500 mm	(59.10")
Cabinet width	210 mm	(8.27")
Barrier height	standard 1 200 mm	(47.24")
	max. 1 800 mm	(70.87")
Passage width <sup>1</sup>	standard 650 mm	(25.59")
	max. 1 050 mm	(41.34")



EasyGate IM / 1 200 mm



EasyGate IM / 1 800 mm

<sup>1</sup> for 2 wings type



## MATERIAL AND COLOURS

<b>Cabinet</b>	brushed stainless steel
<b>Cladding</b>	marble, corian, stone, wood
<b>Barriers</b>	glass barrier panels (10 mm / 0.39", tempered)

## OPERATING ENVIRONMENT

Indoor

## DRIVE MECHANISM

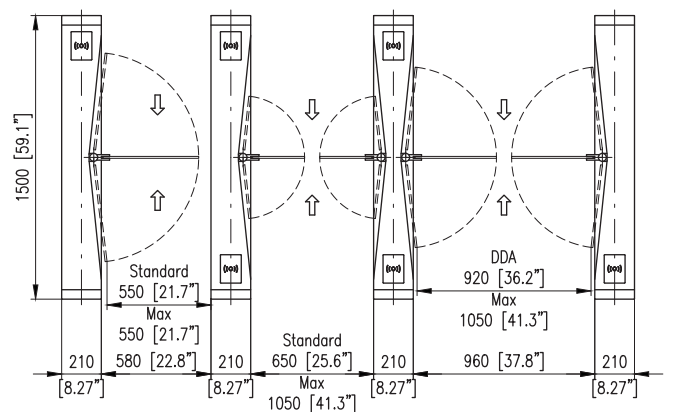
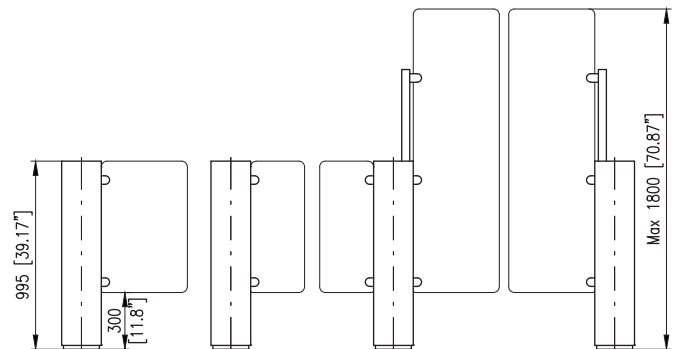
MDD drive with external tooth brake

## EMERGENCY MODE

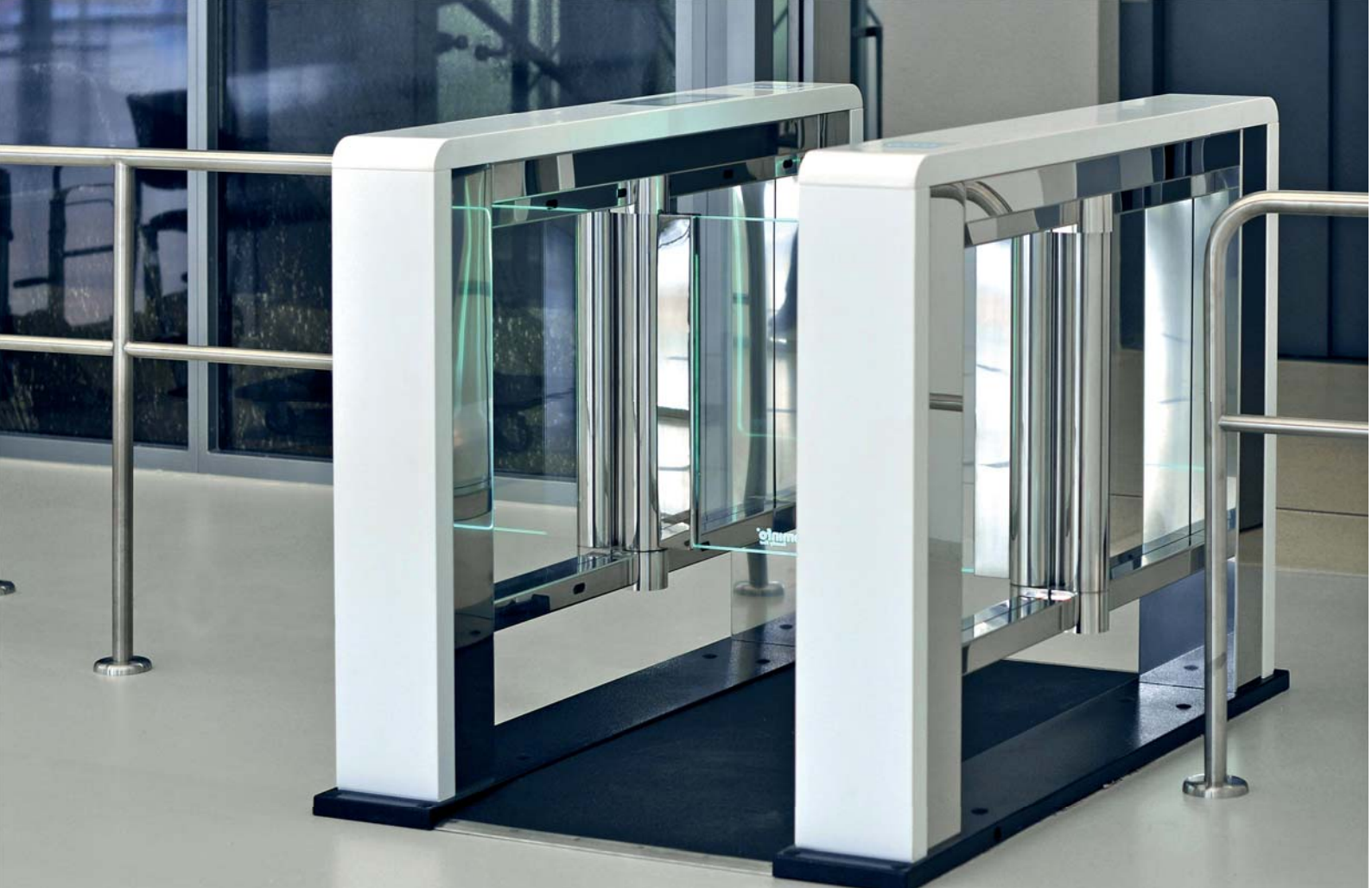
Open automatically in the exit direction / Pushthrough feature<sup>2</sup>

## OPTIONAL ACCESSORIES

- RFID reader bracket (flush mounted)
- Access Light / Lane Light
- WAV player
- Wing Light / Hinge capping
- Pushthrough feature
- USB convertor / Ethernet convertor
- EasyTouch / TouchPanel / T-MON SW
- SuperCap (emergency power back-up)
- Alternative surface finishes / Optional top finishes
- Integration of LiftCall, Card collector, BarCode scanner
- Ramp LT



<sup>2</sup> Optional accessories



## > EasyGate BV

### TYPE

- 1 wing / 2 wings
- Swinging technology
- Square front

### SAFETY & SECURITY DETECTION

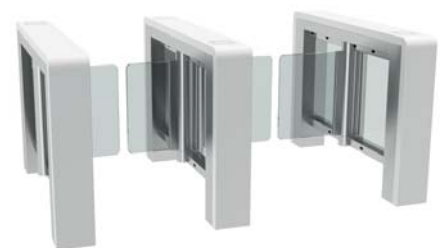
- 8 pairs of IR sensors
- Safety & Security levels
- Tailgating / Cross over detection
- Crawl under / Climb over detection

### DIMENSIONS

Cabinet height	990 mm	(39")
Cabinet length	1 480 mm	(58.27")
Cabinet width	200 mm	(7.87")
Barrier height	800 mm	(31.50")
Passage width <sup>1</sup>	standard 650 mm	(25.59")
	max. 1 000 mm	(39.37")



EasyGate BV



EasyGate BV

<sup>1</sup> for 2 wings type





### MATERIAL AND COLOURS

<b>Cabinet</b>	brushed stainless steel
<b>Cladding</b>	white corian
<b>Barriers</b>	10 mm (0.39") toughened glass
<b>Side infill panel</b>	6 mm (0.24") tempered glass panels

### OPERATING ENVIRONMENT

Indoor

### DRIVE MECHANISM

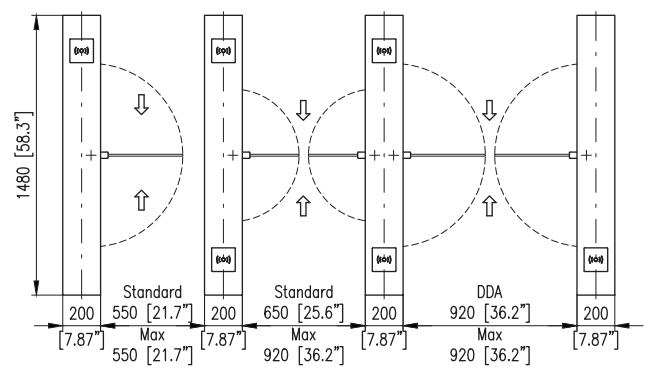
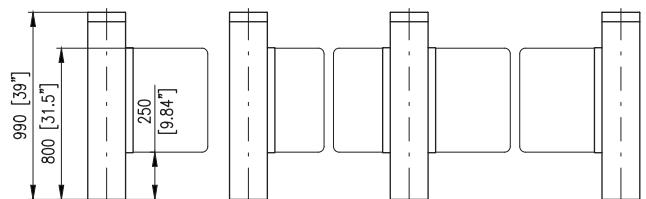
Fail-Safe

### EMERGENCY MODE

Open automatically in the exit direction

### OPTIONAL ACCESSORIES

- RFID reader bracket (flush mounted)
- Access Light / Lane Light
- WAV player
- Wing light / Hinge capping
- USB convertor / Ethernet convertor
- EasyTouch / TouchPanel / T-MON SW
- SuperCap (emergency power back-up)
- Alternative surface finishes / Optional top finishes
- Integration of LiftCall, Card collector, BarCode scanner





EasyGate SPT-R

## > EasyGate SPT-G / SPT-R

### TYPE

- 1 wing / 2 wings
- Swinging technology
- G model - round front
- R model - square front

### SAFETY & SECURITY DETECTION

- 36 pairs of IR sensors
- Safety & Security levels
- Tailgating / Cross over detection
- Crawl under / Climb over detection



EasyGate SPT-G / 1 800 mm

### DIMENSIONS

Cabinet height	975 mm	(38.39") (Glass Top Lid)
Cabinet length	1 500 mm	(59.06")
Cabinet width	180 mm	(7.09")
Barrier height	standard 1 200 mm	(47.24")
	max. 1 800 mm	(70.87")
Passage width <sup>1</sup>	standard 650 mm	(25.59")
	max. 1 050 mm	(41.34")



EasyGate SPT-R / 1 200 mm

<sup>1</sup> for 2 wings type



EasyGate SPT-G

**MATERIAL AND COLOURS**

- Cabinet** brushed stainless steel
- Top Lid** black glass Top Lid
- Barriers** glass barrier panels (10 mm / 0.39", Tempered)
- Side infill panel** 6 mm (0.24") Tempered glass panels

**OPERATING ENVIRONMENT**

Indoor

**DRIVE MECHANISM**

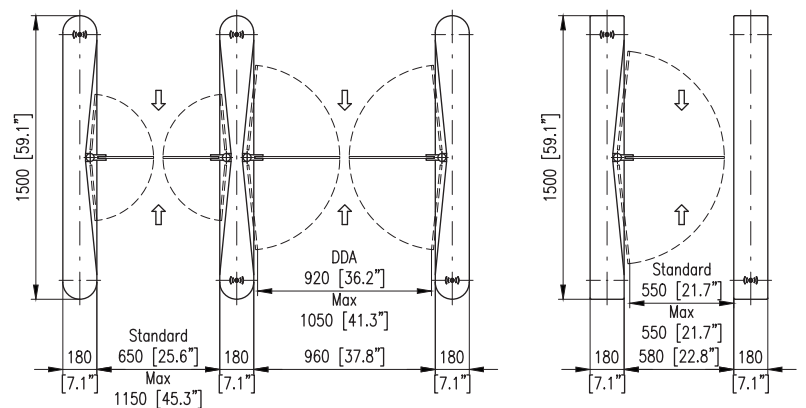
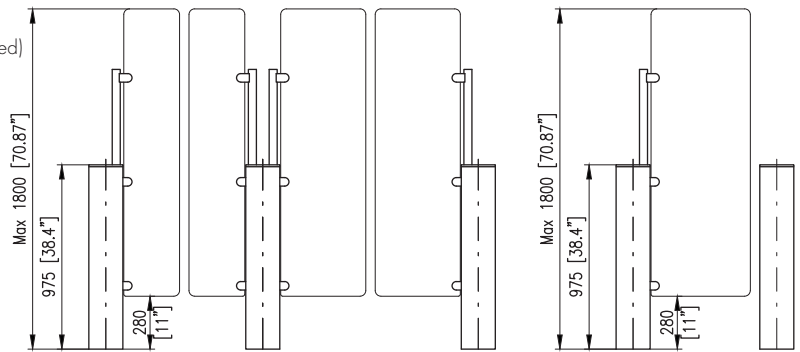
MDD drive with external tooth brake

**EMERGENCY MODE**

Open automatically in the exit direction / Pushthrough feature<sup>2</sup>

**OPTIONAL ACCESSORIES**

- RFID reader bracket (flush mounted)
- Access Light / Lane Light / Edge Light
- WAV player
- Wing light / Hinge capping / Warning light
- Pushthrough feature / Pressure sensing top
- USB convertor / Ethernet convertor
- EasyTouch / TouchPanel / T-MON SW
- SuperCap (emergency power back-up)
- Alternative surface finishes / Optional top finishes
- Integration of LiftCall, Card collector, BarCode scanner
- Side infill panel
- Ramp LT



<sup>2</sup> optional accessories



## > EasyGate SPD-G / SPD-R

### TYPE

- 1 wing / 2 wings
- Swinging technology
- G model - round front
- R model - square front

### SAFETY & SECURITY DETECTION

- 36 pairs of IR sensors
- Safety & Security levels
- Tailgating / Cross over detection
- Crawl under / Climb over detection



EasyGate SPD-G

### DIMENSIONS

Cabinet height	975 mm	(38.39")	(Glass Top Lid)
Cabinet length	1 500 mm	(59.06")	
Cabinet width	180 mm	(7.09")	
Barrier height	850 mm	(33.46")	
Passage width <sup>1</sup>	standard 650 mm	(25.59")	
	max. 1 050 mm	(41.34")	



EasyGate SPD-R

<sup>1</sup> for 2 wings type



EasyGate SPD-G



EasyGate SPD-G

## MATERIAL AND COLOURS

<b>Cabinet</b>	brushed stainless steel
<b>Top Lid</b>	black glass Top Lid
<b>Barriers</b>	glass barrier panels (10 mm / 0.39", tempered)
<b>Side infill panel</b>	6 mm (0.24") tempered glass panels

## OPERATING ENVIRONMENT

Indoor

## DRIVE MECHANISM

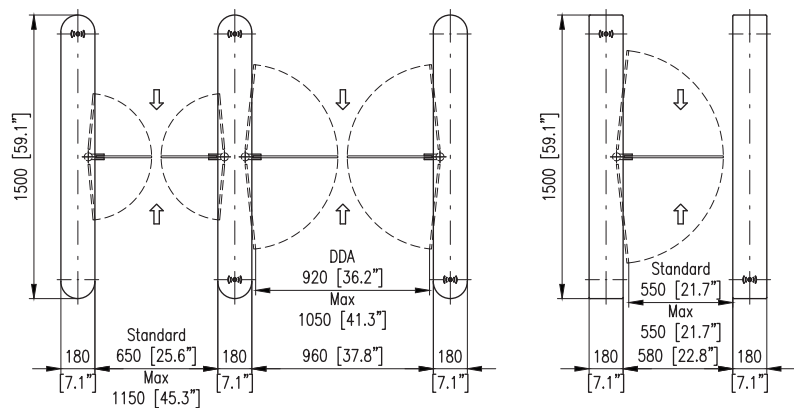
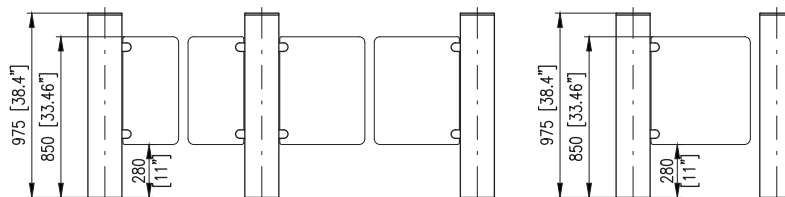
MDD drive with external tooth brake

## EMERGENCY MODE

Open automatically in the exit direction / Pushthrough feature<sup>2</sup>

## OPTIONAL ACCESSORIES

- RFID reader bracket (flush mounted)
- Access Light / Lane Light / Edge Light
- WAV player
- Wing light / Hinge capping / Warning light
- Pushthrough feature / Pressure sensing top
- USB convertor / Ethernet convertor
- EasyTouch / TouchPanel / T-MON SW
- SuperCap (emergency power back-up)
- Alternative surface finishes / Optional top finishes
- Integration of LiftCall, Card collector, BarCode scanner
- Side infill panel
- Ramp LT



<sup>2</sup> optional accessories



EasyGate SG 1000

## > EasyGate SG / SR 1000

### TYPE

- 1 000 (length of cabinet in mm)
- 1 wing / 2 wings
- Swinging technology
- SG model - round front
- SR model - square front

### SAFETY & SECURITY DETECTION

- 6-24 pairs of IR sensors
- Safety & Security levels
- Tailgating / Cross over detection
- Crawl under / Climb over detection



EasyGate SG 1000

### DIMENSIONS

Cabinet height	990 mm	(38.98")
Cabinet length	1 000 mm	(39.37")
Cabinet width	200 mm	(7.87")
Barrier Height	850 mm	(33.46")
Passage width <sup>1</sup>	standard 650 mm	(25.59")
	max. 920 mm	(36.22")



EasyGate SR 1000

<sup>1</sup> for 2 wings type



EasyGate SR 1000

## MATERIAL AND COLOURS

<b>Cabinet</b>	brushed stainless steel
<b>Top Lid</b>	brushed stainless steel with black glass corners
<b>Barriers</b>	glass barrier panels (10 mm / 0.39", tempered)
<b>Side infill panel</b>	6 mm (0.24") tempered glass panels

## OPERATING ENVIRONMENT

Indoor / Outdoor covered<sup>2</sup>

## DRIVE MECHANISM

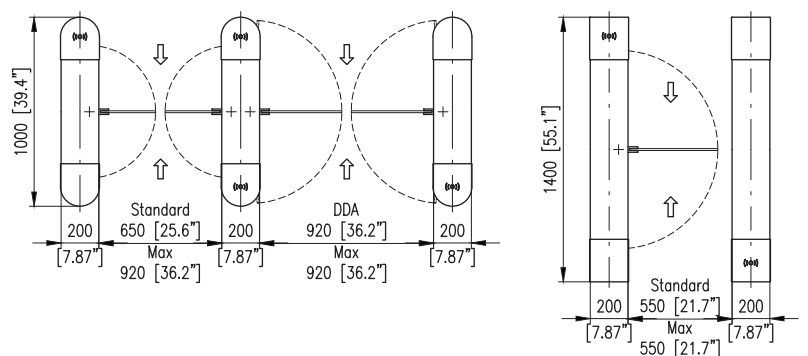
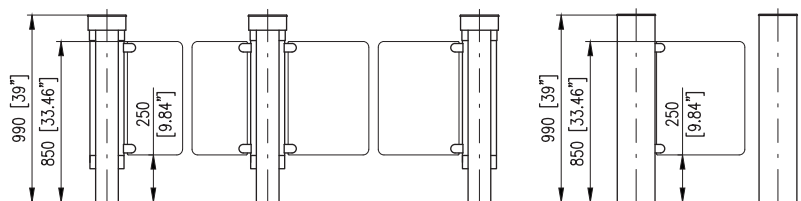
Fail-Safe

## EMERGENCY MODE

Open automatically in the exit direction

## OPTIONAL ACCESSORIES

- RFID reader bracket (flush mounted)
- Access Light / Lane Light
- WAV player
- Outdoor package
- Wing light / Hinge capping
- USB convertor / Ethernet convertor
- EasyTouch / TouchPanel / T-MON SW
- SuperCap (emergency power back-up)
- Alternative surface finishes / Optional top finishes
- Integration of LiftCall, Card collector, BarCode scanner
- Ramp LT



<sup>2</sup> optional accessories



EasyGate SG 1400

## > EasyGate SG / SR 1400

### TYPE

- 1 400 (length of cabinet in mm)
- 1 wing / 2 wings
- Swinging technology
- SG model - round front
- SR model - square front

### SAFETY & SECURITY DETECTION

- 8-36 pairs of IR sensors
- Safety & Security levels
- Tailgating / Cross over detection
- Crawl under / Climb over detection



EasyGate SG 1400

### DIMENSIONS

Cabinet height	990 mm	(38.98")
Cabinet length	1 400 mm	(55.12")
Cabinet width	200 mm	(7.87")
Barrier Height	850 mm	(33.46")
Passage width <sup>1</sup>	standard 650 mm	(25.59")
	max. 1 200 mm	(47.24")



EasyGate SR 1400

<sup>1</sup> for 2 wings type





EasyGate SR 1400

## MATERIAL AND COLOURS

<b>Cabinet</b>	brushed stainless steel
<b>Top Lid</b>	brushed stainless steel with black glass corners
<b>Barriers</b>	glass barrier panels (10 mm / 0.39", tempered)
<b>Side infill panel</b>	6 mm (0.24") tempered glass panels

## OPERATING ENVIRONMENT

Indoor / Outdoor covered<sup>2</sup>

## DRIVE MECHANISM

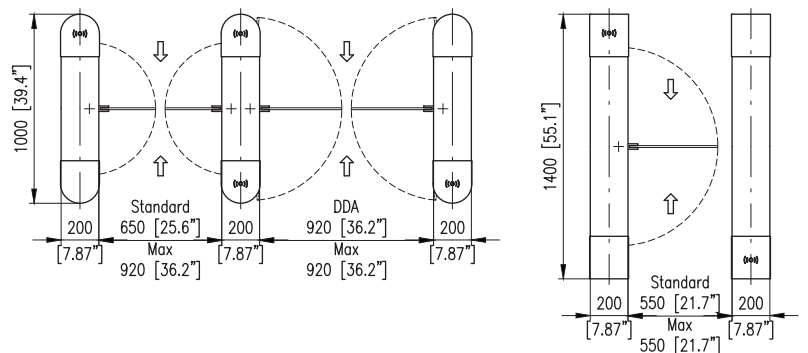
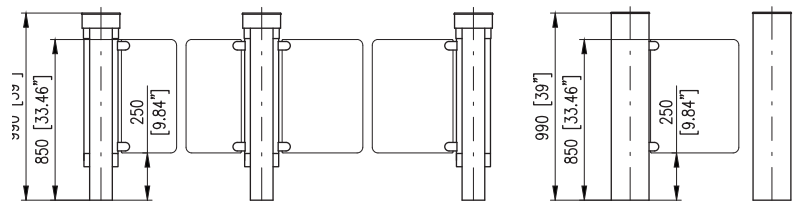
Fail-Safe

## EMERGENCY MODE

Open automatically in the exit direction

## OPTIONAL ACCESSORIES

- RFID reader bracket (flush mounted)
- Access Light / Lane Light
- WAV player
- Outdoor package
- Wing light / Hinge capping
- USB convertor / Ethernet convertor
- EasyTouch / TouchPanel / T-MON SW
- SuperCap (emergency power back-up)
- Alternative surface finishes / Optional top finishes
- Integration of LiftCall, Card collector, BarCode scanner
- Ramp LT



<sup>2</sup> optional accessories



## > EasyGate HG / HR

### TYPE

- 1 wing / 2 wings
- Swinging technology
- HG model - round front
- HR model - square front

### SAFETY & SECURITY DETECTION

- 36 pairs of IR sensors
- Safety & Security levels
- Tailgating / Cross over detection
- Crawl under / Climb over detection



EasyGate HG / 1 800 mm

### DIMENSIONS

Cabinet height	975 mm	(38.39") (Glass Top Lid)
Cabinet length	1450 mm	(57.09")
Cabinet width	210 mm	(8.27")
Barrier height	standard 1 200 mm	(47.24")
	max. 1 800 mm	(70.87")
Passage width <sup>1</sup>	standard 650 mm	(25.59")
	max. 1 050 mm	(41.34")



EasyGate HR / 1 200 mm

<sup>1</sup> for 2 wings type



EasyGate HG



EasyGate HR

### MATERIAL AND COLOURS

<b>Cabinet</b>	brushed stainless steel
<b>Top Lid</b>	black glass Top Lid
<b>Barriers</b>	glass barrier panels (10 mm / 0.39", tempered)
<b>Side infill panel</b>	6 mm (0.24") tempered glass panels

### OPERATING ENVIRONMENT

Indoor

### DRIVE MECHANISM

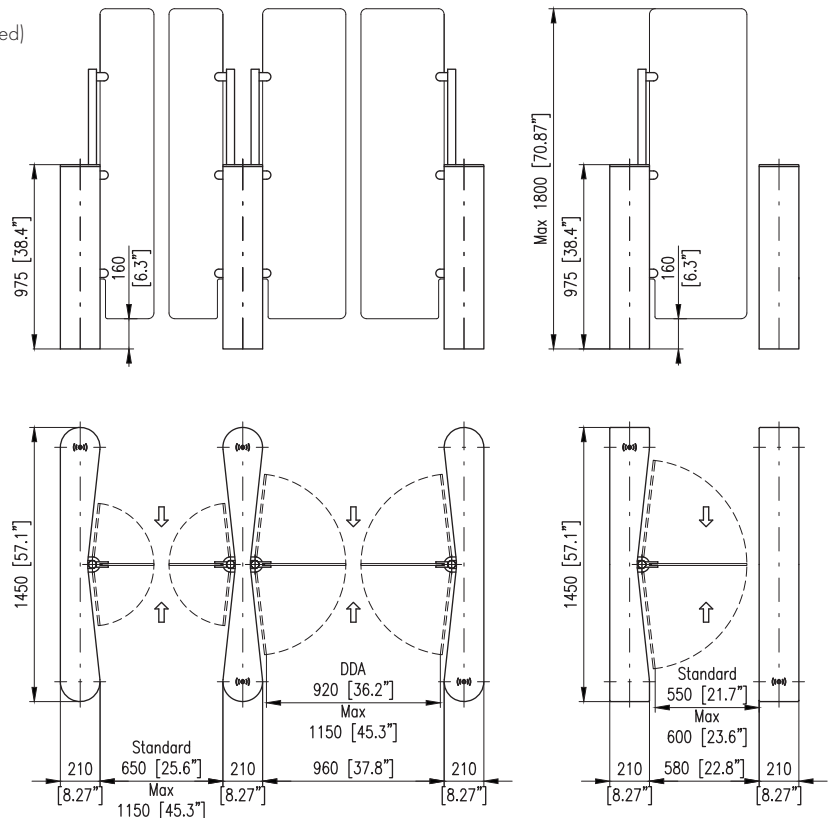
Fail-Safe

### EMERGENCY MODE

Open automatically in the exit direction

### OPTIONAL ACCESSORIES

- RFID reader bracket (flush mounted)
- Access Light / Lane Light
- WAV player
- Hinge capping
- USB convertor / Ethernet convertor
- EasyTouch / TouchPanel / T-MON SW
- SuperCap (emergency power back-up)
- Alternative surface finishes / Optional top finishes
- Integration of LiftCall, Card collector, BarCode scanner
- Side infill panel
- Ramp LT





EasyGate DG

## > EasyGate DG / DR

### TYPE

- 1 wing / 2 wings
- Swinging technology
- DG model - round front
- DR model - square front

### SAFETY & SECURITY DETECTION

- 36 pairs of IR sensors
- Safety & Security levels
- Tailgating / Cross over detection
- Crawl under / Climb over detection



EasyGate DG

### DIMENSIONS

Cabinet height	975 mm	(38.39")	(Glass Top Lid)
Cabinet length	1 450 mm	(57.09")	
Cabinet width	210 mm	(8.27")	
Barrier height	850 mm	(33.46")	
Passage width <sup>1</sup>	standard 650 mm	(25.59")	
	max. 1 050 mm	(41.34")	



EasyGate DR

<sup>1</sup> for 2 wings type



EasyGate DR

## MATERIAL AND COLOURS

<b>Cabinet</b>	brushed stainless steel
<b>Top Lid</b>	black glass Top Lid
<b>Barriers</b>	glass barrier panels (10 mm / 0.39", tempered)
<b>Side infill panel</b>	6 mm (0.24") tempered glass panels

## OPERATING ENVIRONMENT

Indoor

## DRIVE MECHANISM

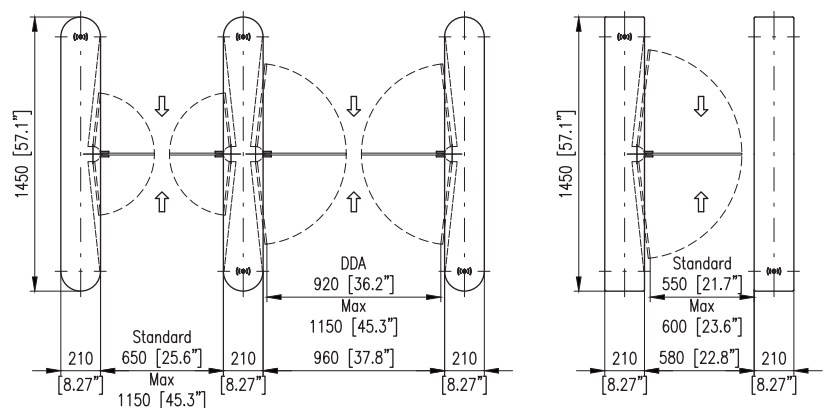
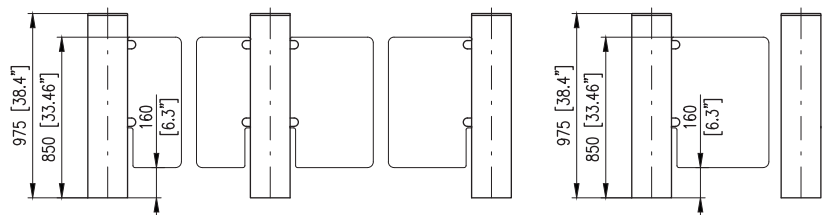
Fail-Safe

## EMERGENCY MODE

Open automatically in the exit direction

## OPTIONAL ACCESSORIES

- RFID reader bracket (flush mounted)
- Access Light / Lane Light
- WAV player
- Hinge capping
- USB convertor / Ethernet convertor
- EasyTouch / TouchPanel / T-MON SW
- SuperCap (emergency power back-up)
- Alternative surface finishes / Optional top finishes
- Integration of LiftCall, Card collector, BarCode scanner
- Side infill panel
- Ramp LT





## > EasyGate WN

### TYPE

- 1 wing / 2 wings
- Swinging technology
- Square front

### SAFETY & SECURITY DETECTION

- 8 pairs of IR sensors
- Safety & Security levels
- Tailgating / Cross over detection
- Crawl under / Climb over detection

### DIMENSIONS

Cabinet height	1 070 mm	(42.13")
Cabinet length	2 000 mm	(78.74")
Cabinet width	210 mm	(8.27")
Barrier height	900 mm	(35.43")
Passage width <sup>1</sup>	standard 650 mm	(25.59")
	max. 1 200 mm	(47.24")



EasyGate WN



EasyGate WN

<sup>1</sup> for 2 wings type



## MATERIAL AND COLOURS

<b>Cabinet</b>	brushed stainless steel
<b>Top Lid</b>	brushed stainless steel
<b>Barriers</b>	brushed stainless steel tube wing

## OPERATING ENVIRONMENT

Indoor / Outdoor<sup>1</sup> / Extreme weather conditions (up to -40°C)<sup>1</sup>

## DRIVE MECHANISM

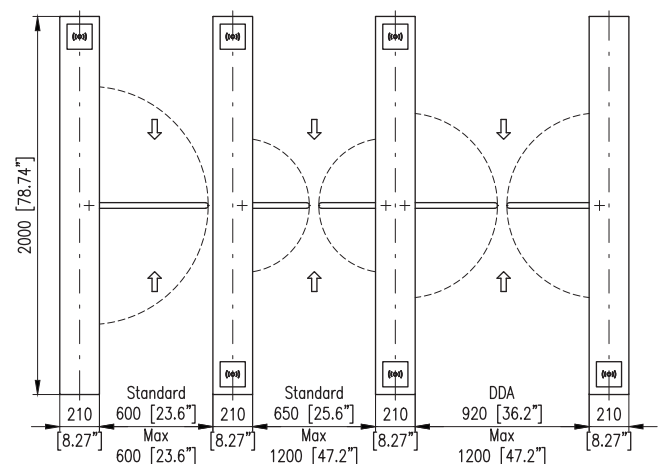
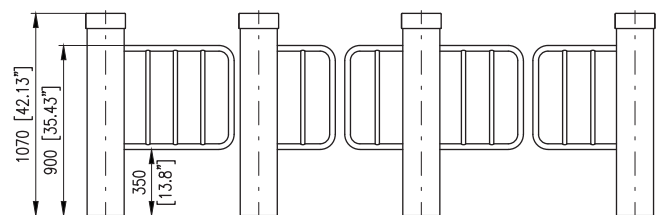
Fail-Safe

## EMERGENCY MODE

Open automatically in the exit direction

## OPTIONAL ACCESSORIES

- RFID reader bracket (flush mounted)
- Access Light / Lane Light
- WAV player
- Outdoor package / Extreme outdoor package
- USB convertor / Ethernet convertor
- EasyTouch / TouchPanel / T-MON SW
- SuperCap (emergency power back-up)
- Alternative surface finishes
- Integration of BarCode scanner
- Induction loop system
- For detection of bicycles and scooters
- Ramp LT



<sup>2</sup> optional accessories



## > EasyGate LG

### TYPE

940 / 1 200 / 1 800 (height of glass barrier in mm)

2 wings

Sliding technology

Round front

### SAFETY & SECURITY DETECTION

- 40 pairs of IR sensors
- Safety & Security levels
- Tailgating / Cross over detection
- Crawl under / Climb over detection



EasyGate LG 1200 / 1800



EasyGate LG 940

### DIMENSIONS

Cabinet height	990 mm	(38.98")
Cabinet length	1 326 mm	(52.21")
Cabinet width	320 mm	(12.6")
	DDA cabinet - 500 mm	(19.69")
Barrier height	940 mm	(37.01")
	1 200 - 1 800 mm	(47.24" - 70.87")
Passage width	standard 570 mm	(22.44")
	max. 920 mm	(36.22")





**MATERIAL AND COLOURS**

- Cabinet** brushed stainless steel
- Top Lid** black glass Top Lid
- Barriers** glass barrier panels (8 mm / 0.31", tempered)

**OPERATING ENVIRONMENT**

Indoor

**DRIVE MECHANISM**

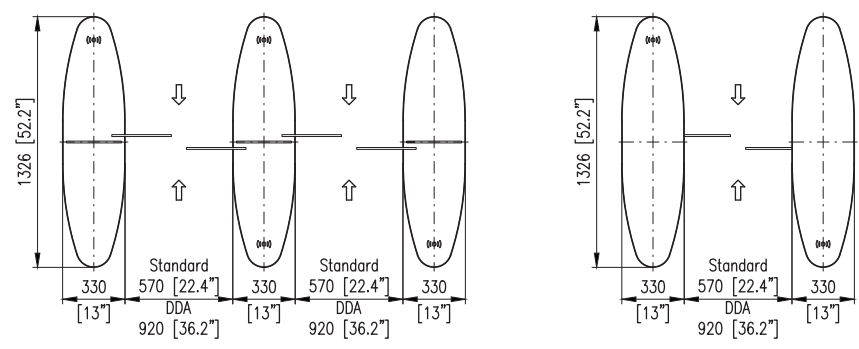
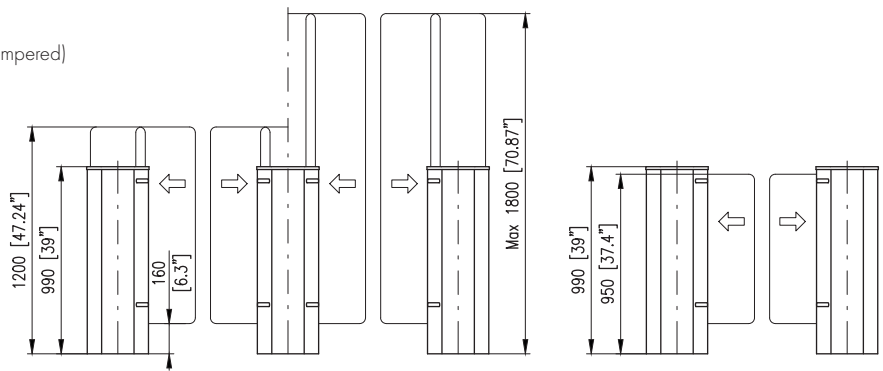
MDD drive

**EMERGENCY MODE**

Open automatically in the exit direction

**OPTIONAL ACCESSORIES**

- RFID reader bracket (flush mounted)
- Access Light / Lane Light
- WAV player
- Wing light (only for 940 model)
- USB convertor / Ethernet convertor
- EasyTouch / TouchPanel / T-MON SW
- SuperCap (emergency power back-up)
- Alternative surface finishes / Optional top finishes
- Integration of LiftCall, Card collector, BarCode scanner
- Ramp LT





EasyGate LX 1800

## > EasyGate LX / LH

### TYPE

940 / 1 200 / 1 800 (height of glass barrier in mm)

2 wings

Sliding technology

LX model - round front

LH model - square front

### SAFETY & SECURITY DETECTION

- 40 pairs of IR sensors
- Safety & Security levels
- Tailgating / Cross over detection
- Crawl under / Climb over detection



EasyGate LX 1200/1800

### DIMENSIONS

Cabinet height	990 mm	(38.98")
Cabinet length	1 700 mm	(66.93")
Cabinet width	320 mm	(12.6")
	DDA cabinet - 500 mm	(19.69")
Barrier height	940 mm	(37.01")
	1 200 - 1 800 mm	(47.24" - 70.87")
Passage width	standard 570 mm	(22.44")
	max. 920 mm	(36.22")



EasyGate LH 940



EasyGate LH 940

### MATERIAL AND COLOURS

- Cabinet** brushed stainless steel
- Top Lid** brushed stainless steel with black glass corners
- Barriers** glass barrier panels (8 mm / 0.31", tempered)

### OPERATING ENVIRONMENT

Indoor / Outdoor covered

### DRIVE MECHANISM

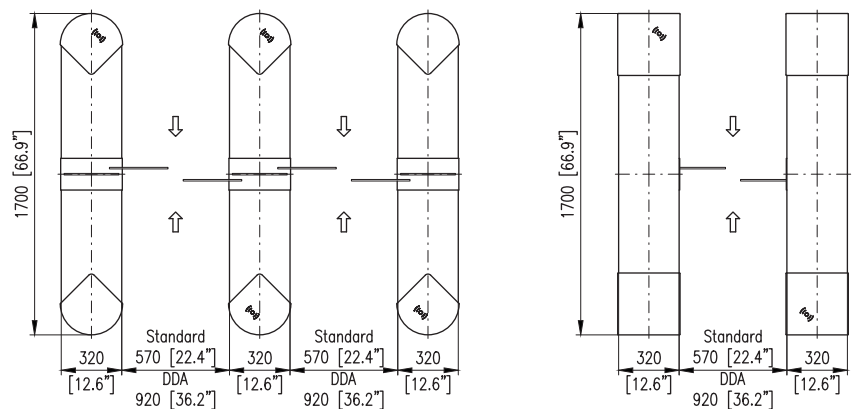
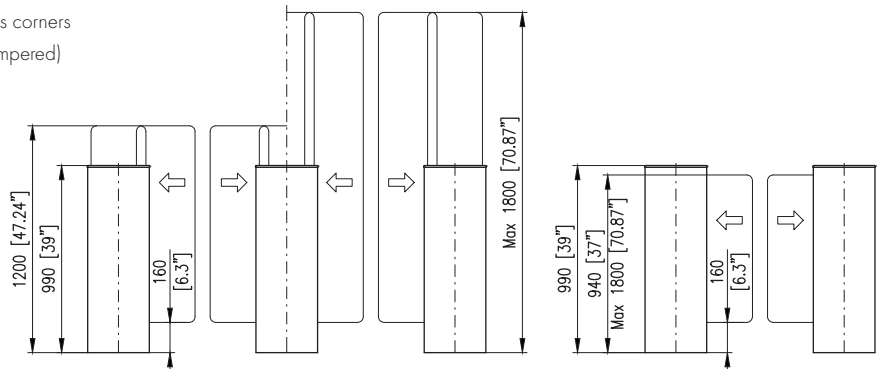
Fail-Safe

### EMERGENCY MODE

Open automatically in the exit direction

### OPTIONAL ACCESSORIES

- RFID reader bracket (flush mounted)
- Access Light / Lane Light
- WAV player
- Outdoor package
- Wing light (only for 940 model)
- USB convertor / Ethernet convertor
- EasyTouch / TouchPanel / T-MON SW
- SuperCap (emergency power back-up)
- Alternative surface finishes / Optional top finishes
- Integration of LiftCall, Card collector, BarCode scanner
- Ramp LT





## > EasyGate FL/FH

### TYPE

- 2 wings
- Sliding technology
- FL model - round front
- FH model - square front

### SAFETY & SECURITY DETECTION

- 40 pairs of IR sensors
- Safety & Security levels
- Tailgating / Cross over detection
- Crawl under / Climb over detection

### DIMENSIONS

Cabinet height	990 mm	(38.98")
Cabinet length	1 700 mm	(66.93")
Cabinet width	320 mm	(12.60")
	DDA cabinet - 500 mm	(19.69")
Barrier height	940 mm	(37.01")
Passage width	standard 570 mm	(22.44")
	max. 920 mm	(36.22")



EasyGate FL



EasyGate FH



EasyGate FL



EasyGate FL

### MATERIAL AND COLOURS

- Cabinet** brushed stainless steel
- Top Lid** brushed stainless steel with black glass corners
- Barriers** glass barrier panels (10 mm / 0.31", tempered)

### OPERATING ENVIRONMENT

Indoor / Outdoor covered

### DRIVE MECHANISM

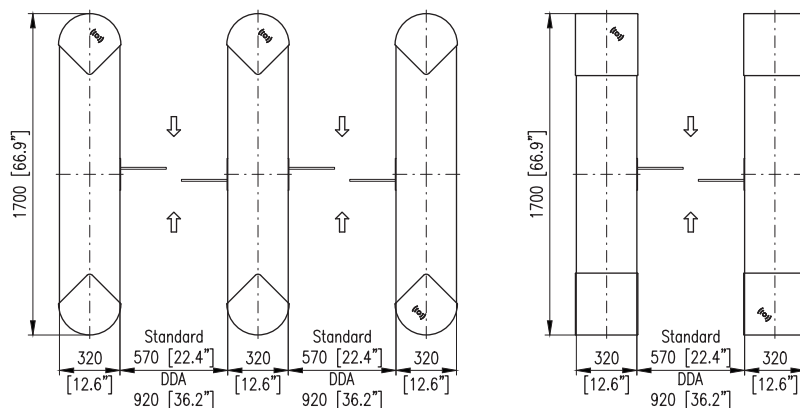
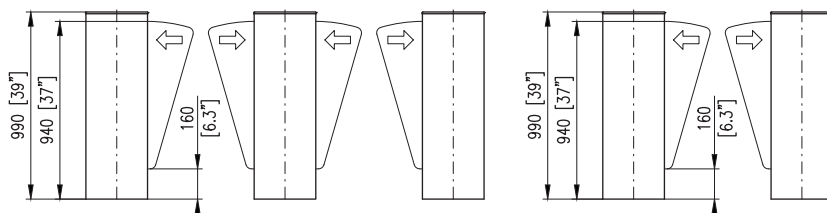
Fail-Safe

### EMERGENCY MODE

Open automatically in the exit direction

### OPTIONAL ACCESSORIES

- RFID reader bracket (flush mounted)
- Access Light / Lane Light
- WAV player
- Outdoor package
- Wing light (only for 940 model)
- USB convertor / Ethernet convertor
- EasyTouch / TouchPanel / T-MON SW
- SuperCap (emergency power back-up)
- Alternative surface finishes / Optional top finishes
- Integration of LiftCall, Card collector, BarCode scanner
- Ramp LT





## > EasyGate SBG (Self Boarding Gate for Airports)

### TYPE

- 2 wings
- Swinging technology
- Square front

### SAFETY & SECURITY DETECTION

- 50 pairs of IR sensors
- Safety & Security levels
- Tailgating / Cross over detection
- Crawl under / Climb over detection

### DIMENSIONS

Cabinet height	1 300 mm	(51.18")
Cabinet length	1 550 mm	(61.02")
Cabinet width	180 mm	(7.09")
Barrier height	1 000 mm	(39.37")
Passage width	630 mm	(24.8")



EasyGate SBG



## MATERIAL AND COLOURS

<b>Cabinet</b>	brushed stainless steel
<b>Top Lid</b>	brushed stainless steel
<b>Barriers</b>	acrylic glass barrier panels (10 mm / 0.39")
<b>Side infill panel</b>	10 mm (0.39") tempered glass panels

## OPERATING ENVIRONMENT

Indoor

## DRIVE MECHANISM

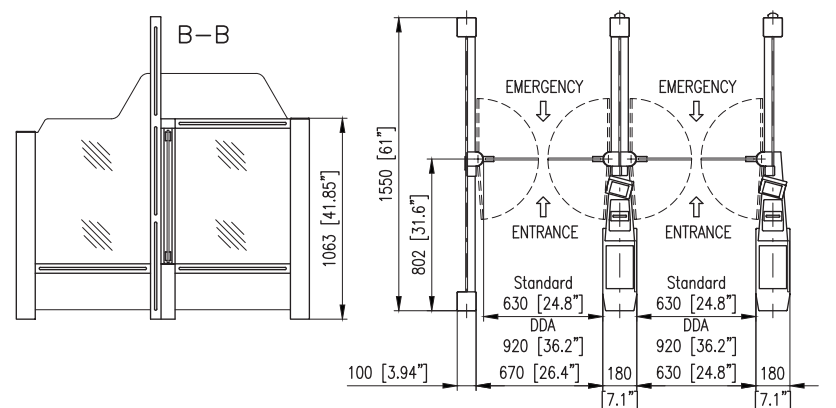
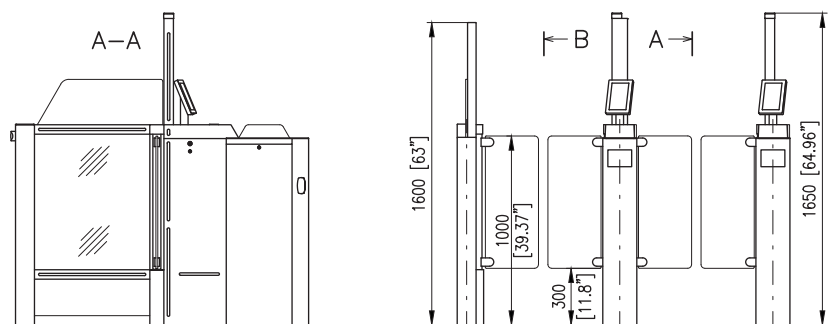
Fail-Safe

## EMERGENCY MODE

Open automatically in the exit direction

## OPTIONAL ACCESSORIES

- RFID reader bracket (flush mounted)
- Lane light / Top light
- WAV player
- Wing light / Hinge capping
- USB convertor / Ethernet convertor
- EasyTouch / TouchPanel / T-MON SW
- SuperCap (emergency power back-up) / Emergency push button
- Alternative surface finishes
- High-speed boarding pass thermal printer
- Ramp LT





## > EasyGate SPA (Small Payment Application with Coin validator)

### TYPE

- 2 wings
- Swinging technology
- Square front

### SAFETY & SECURITY DETECTION

- 48 pairs of IR sensors
- Safety & Security levels
- Tailgating / Cross over detection
- Crawl under / Climb over detection



EasyGate SPA

### DIMENSIONS

Cabinet height	1 400 mm	(55.12")
Cabinet length	1 200 mm	(47.24")
Cabinet width	180 mm	(7.09")
Barrier height	1 400 mm	(55.12")
Passage width	standard 650 mm	(25.59")
	max. 920 mm	(36.22")





### MATERIAL AND COLOURS

<b>Cabinet</b>	brushed stainless steel
<b>Top Lid</b>	brushed stainless steel
<b>Barriers</b>	glass barrier panels (10 mm / 0.39", tempered)
<b>Side infill panel</b>	10 mm (0.39") tempered glass panels

### OPERATING ENVIRONMENT

Indoor

### DRIVE MECHANISM

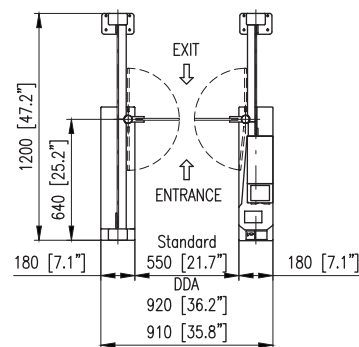
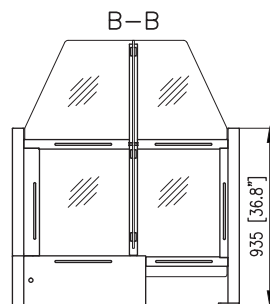
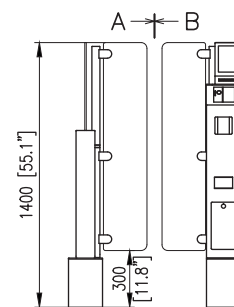
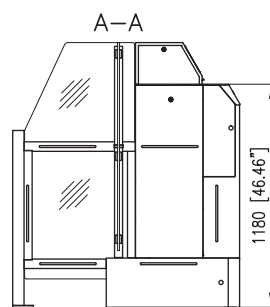
MDD drive with external tooth brake

### EMERGENCY MODE

Open automatically in the exit direction / Pushthrough feature <sup>1</sup>

### OPTIONAL ACCESSORIES

- RFID reader bracket (flush mounted)
- Integration of Cashless payment system
- Lane Light
- WAV player
- Wing light / Hinge capping
- Pushthrough feature
- USB convertor / Ethernet convertor
- EasyTouch / TouchPanel / T-MON SW
- SuperCap (emergency power back-up) / Emergency push button
- Alternative surface finishes
- Receipt & coupon thermal printer
- Ramp LT



<sup>1</sup> optional accessories



## > Interlock gate (High security Double speed gate)

### TYPE

- 2 wings
- Swinging technology
- G model - round front
- R model - square front

### SAFETY & SECURITY DETECTION

- 75 pairs of IR sensors
- Safety & Security levels
- Tailgating / Cross over detection
- Crawl under / Climb over detection

### DIMENSIONS

Cabinet height	975 mm	(38.39")(GlassTopLid)
Cabinet length	2 900 mm	(114.77")
Cabinet width	180 mm	(7.09")
Barrier Height	standard 1 200 mm	(47.24")
	max. 1 800 mm	(70.87")
Passage width	standard 650 mm	(25.59")
	max. 1 050 mm	(41.34")



Interlock gate



Interlock gate



## MATERIAL AND COLOURS

<b>Cabinet</b>	brushed stainless steel
<b>Top Lid</b>	black glass Top lid
<b>Barriers</b>	glass barrier panels (10 mm / 0.39", tempered)
<b>Side infill panel</b>	6 mm (0.24") tempered glass panels

## OPERATING ENVIRONMENT

Indoor

## DRIVE MECHANISM

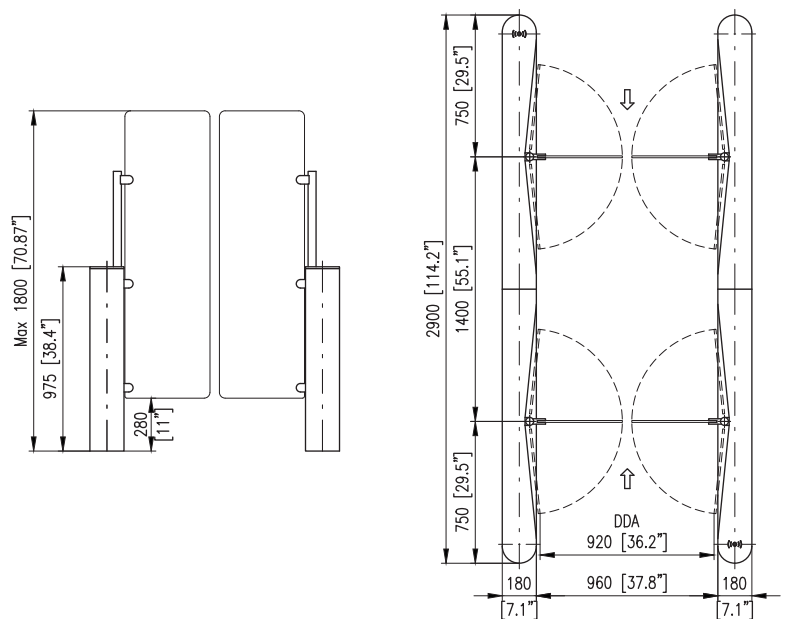
MDD drive with external tooth brake

## EMERGENCY MODE






Open automatically in the exit direction / Pushthrough feature<sup>1</sup>

## OPTIONAL ACCESSORIES

- RFID reader bracket (flush mounted)
- Access Light / Lane Light / Edge Light
- WAV player
- Wing light / Hinge capping / Warning light
- USB convertor / Ethernet convertor
- EasyTouch / TouchPanel / T-MON SW
- SuperCap (emergency power back-up)
- Alternative surface finishes / Optional top finishes
- Integration of LiftCall, Card collector, BarCode scanner
- Side infill panel
- Ramp LT



<sup>1</sup> optional accessories

Turnstile model EasyGate	Elite	IM	BV	SPT-G/R	SPD-G/R
					
Shape of cabinet - rounded / square	• / -	- / •	- / •	• / •	• / •
Available models - 1 wing / 2 wings	• / •	• / •	• / •	• / •	• / •
<b>Dimensions</b>					
Cabinet Height in mm (inches)	990 (38.98")	995 (39.17")	990 (38.98")	975 (38.39")	975 (38.39")
Cabinet Length in mm (inches)	1 400 (55.12")	1 500 (59.1")	1 480 (58.27")	1 500 (59.06")	1 500 (59.06")
Cabinet Width in mm (inches)	120 (4.72")	210 (8.27")	200 (7.87")	180 (7.09")	180 (7.09")
Glass wing Barrier height in mm (inches)	up to 1 800 (70.87")	up to 1 800 (70.87")	800 (31.50")	up to 1 800 (70.87")	850 (33.46")
Glass wing barrier thickness in mm (inches)	10 (0.39")	10 (0.39")	10 (0.39")	10 (0.39")	10 (0.39")
DDA (ADA) Compliant	•	•	•	•	•
<b>Standard material</b>					
Stainless steel cabinet (AISI 304) / Special material	• / -	- / •	- / •	• / -	• / -
Stainless steel top lid (AISI 304) / Glass top Lid	- / •	- / -	- / -	- / •	- / •
<b>Safety features</b>					
Emergency (Fire Alarm) input	•	•	•	•	•
Tailgating / Cross over	• / •	• / •	• / •	• / •	• / •
Number of sensor pairs (Transmitter / Receiver)	up to 30	36	8	36	36
Pushthrough* / Pressure Sensing Top*	- / -	• / -	- / -	• / • [3]	• / • [3]
Induction loop system for detection of bicycles and scooters	-	-	-	-	-
Fail-Safe motor [1] / MDD motor	• / -	- / •	• / -	- / •	- / •
Safety & Security mode (5 settings)	•	•	•	•	•
Barrier opening time (s)	0,7	0,5	0,7	0,5	0,5
<b>Communication interface</b>					
Relay Inputs / Outputs	• / •	• / •	• / •	• / •	• / •
RS485 / USB* / Ethernet*	• / • / •	• / • / •	• / • / •	• / • / •	• / • / •
<b>Operating environment</b>					
Indoor / Outdoor covered / Outdoor uncovered	• / - / -	• / - / -	• / - / -	• / - / -	• / - / -
Extreme weather condition	-	-	-	-	-
<b>Optional features</b>					
Integrated RFID reader bracket - flush mounted	•	•	•	•	•
Access Light / Lane Light / Edge Light	• / - / •	• / • / -	• / • / -	• / • / •	• / • / •
Wing Light / Warning Light / WAV Player	• / - / •	• / - / •	• / - / •	• / • / •	• / - / •
Identification or Ticket Terminals	•	•	•	•	•
Implementation of: Lift controller / Visitor Card collector / BarCode scanner	- / - / -	• / • / •	• / • / •	• / • / •	• / • / •
<b>Optional remote control systems</b>					
Remote control (EasyTouch, TouchPanel)	•	•	•	•	•
TMON software application (remote control from any PC) / Passage Scheduler (automatic planner)	• / •	• / •	• / •	• / •	• / •
<b>Optional power supply input</b>					
24V DC / 24V AC / 230V AC	• / • / •	- / - / •	• / • / •	- / - / •	- / - / •
SuperCap	•	•	•	•	•
<b>Optional finishes</b>					
Custom surface finish / Side infill panel	• / -	• / -	• / -	• / •	• / •
Custom Top Lid material / Custom cladding material	• / -	• / •	• / •	• / • [5]	• / • [5]
<b>Optional mounting accessories</b>					
Ramp LT / Mounting console	• / •	• / •	• / •	• / •	• / •












[1] Free-to-move without power  
\* • • available

[2] Stainless steel tube wing  
\* - • not available

[3] Only with stainless steel Top Lid  
\* optional accessories

[4] Only for 940 mm high glass wing

[5] Only for square cabinet

SG / SR 1000	SG / SR 1400	HG / HR	DG / DR	WN	LG	LX / LH	FL / FH	SBG	SPA	Interlock Gate
										
• / •	• / •	• / •	• / •	- / •	• / -	• / •	• / •	- / •	- / •	• / •
• / •	• / •	• / •	• / •	• / •	- / •	- / •	- / •	- / •	- / •	- / •
990 (38.98")	990 (38.98")	975 (38.39")	975 (38.39")	1 070 (42.13")	990 (38.98")	990 (38.98")	990 (38.98")	1 300 (51.18")	1 400 (55.12")	975 (38.39")
1000 (39.37")	1400 (55.12")	1450 (57.09")	1450 (57.09")	2 000 (78.74")	1326 (52.21")	1 700 (66.93")	1 700 (66.93")	1 550 (61.02")	1 200 (47.24")	2 900 (114.17")
200 (7.87")	200 (7.87")	210 (8.27")	210 (8.27")	210 (8.27")	320 (12.6")	320 (12.6")	320 (12.6")	180 (7.09")	180 (7.09")	180 (7.09")
850 (33.46")	850 (33.46")	up to 1 800 (70.87")	850 (33.46")	900 (35.43")	up to 1 800 (70.87")	up to 1 800 (70.87")	940 (37.01")	1 000 (39.37")	1 400 (55.12")	up to 1 800 (70.87")
10 (0.39")	10 (0.39")	10 (0.39")	10 (0.39")	[2]	8 (0.31")	8 (0.31")	8 (0.31")	10 (0.39")	10 (0.39")	10 (0.39")
•	•	•	•	•	•	•	•	•	•	•
• / -	• / -	• / -	• / -	• / -	• / -	• / -	• / -	• / -	• / -	• / -
• / -	• / -	- / •	- / •	• / -	- / •	• / -	• / -	• / -	• / -	- / •
•	•	•	•	•	•	•	•	•	•	•
• / •	• / •	• / •	• / •	• / •	• / •	• / •	• / •	• / •	• / •	• / •
up to 24	up to 36	36	36	8	30	40	40	50	48	75
- / -	- / -	- / -	- / -	- / -	- / -	- / -	- / -	- / -	• / -	• / • [3]
-	-	-	-	•	-	-	-	-	-	-
• / -	• / -	• / -	• / -	• / -	- / •	• / -	• / -	• / -	- / •	- / •
•	•	•	•	•	•	•	•	•	•	•
0,7	0,7	0,7	0,7	0,7	0,3	0,5	0,5	0,6	0,5	0,5
• / •	• / •	• / •	• / •	• / •	• / •	• / •	• / •	• / •	• / •	• / •
• / • / •	• / • / •	• / • / •	• / • / •	• / • / •	• / • / •	• / • / •	• / • / •	• / • / •	• / • / •	• / • / •
• / • / -	• / • / -	• / - / -	• / - / -	• / • / •	• / - / -	• / • / -	• / • / -	• / - / -	• / - / -	• / - / -
-	-	-	-	•	-	-	-	-	-	-
•	•	•	•	•	•	•	•	•	•	•
• / • / -	• / • / -	• / • / -	• / • / -	• / • / -	• / • / -	• / • / -	• / • / -	- / • / -	- / • / -	• / • / •
• / - / •	• / - / •	• / - / •	• / - / •	- / - / •	[4] • / - / •	[4] • / - / •	[4] • / - / •	• / - / •	• / - / •	• / • / •
•	•	•	•	•	•	•	•	-	-	•
• / • / •	• / • / •	• / • / •	• / • / •	- / - / •	• / • / •	• / • / •	• / • / •	- / - / •	- / - / -	• / • / •
•	•	•	•	•	•	•	•	•	•	•
• / •	• / •	• / •	• / •	• / •	• / •	• / •	• / •	• / •	• / •	• / •
• / • / -	• / • / -	• / • / -	• / • / -	• / • / -	- / - / •	• / • / •	• / • / •	- / - / •	- / - / •	- / - / •
•	•	•	•	•	•	•	•	•	•	•
• / -	• / -	• / •	• / •	• / •	• / •	• / -	• / -	• / -	• / •	• / •
• / • [5]	• / • [5]	• / • [5]	• / • [5]	- / -	• / • [5]	• / • [5]	• / • [5]	- / -	- / -	• / • [5]
• / •	• / •	• / •	• / •	• / •	• / -	• / -	• / -	• / •	• / •	• / •

## > Options & Accessories



**EASY::TOUCH** - turnstile remote control console with an intuitive graphical user interface



**TOUCH PANEL** - Touch-button panel for remote control of turnstiles and gates



**TMON SOFTWARE** - software application for easy remote control of the turnstiles and gates



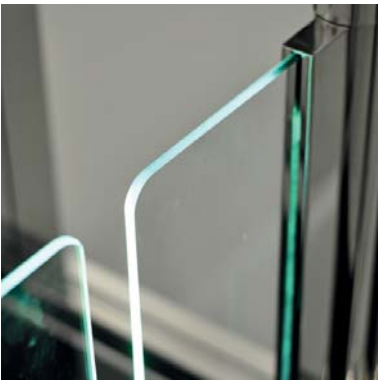
**ACCESS LIGHT** - access control light with integrated RFID bracket



**LANE LIGHT** - front mounted lane accessibility light panel



**EDGE LIGHT** - Information multicolour LED light belt



**WING LIGHT** - Light illumination of glass wing barrier



**WARNING LIGHT** - Emergency warning light



**WAV PLAYER** - sound signaling device for audio confirmation of turnstile operation mode



**PRESSURE SENSING TOP** - pressure sensing device integrated in top lid to detect climb over



**PUSHTHROUGH** - allows the turnstiles to be set with the hard lock only in the entry direction



**SENSOR WALL** - Optical sensors for EasyGate turnstile with wall mount

## > Options & Accessories



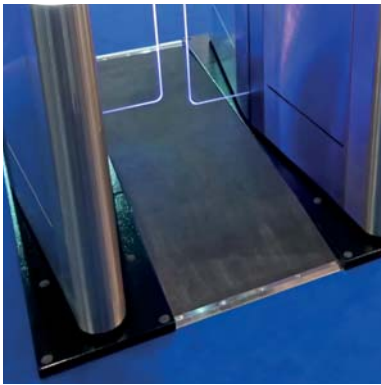
**EXI-R** - visitor card / badge collector with return function implemented in stainless steel pole



**EXI2** - integrated visitor card collector with collection box



**TICKETING TERMINAL** - external implementation of identification terminals



**RAMP LT** - for installation on floor where drilling/cutting is not allowed



**MOUNTING CONSOLE** - mounting console for raised/suspended floor



**GLASS INFILL BARRIER** - convenient way to aesthetically enclose the secure areas from public area



**ALTERNATIVE SURFACE FINISH** - polished stainless steel / brushed stainless steel / etc.



**SIDE INFILL PANEL** - stainless steel side infill panel of EasyGate cabinet



**ALTERNATIV TOP LID** - wood, stone, corian, glass etc.



**LIFT CONTROLLER** - integration of lift controller



**OUTDOOR PACKAGE** - special package for outdoor application (heating module + IP protection)



**SUPERCAP** - maintenance-free power package for Emergency opening of turnstile/gate

## > Project design

Every project varies in its specifics, it can therefore be hard to choose from a standard turnstile range. We want you to realise your project visions, thus we offer you a turnstile range that can be customised to your desires.

We always seek for the perfect solutions for your projects; whether you need a higher level of security or a change of colour, finish or cabinet styling; whether you desire a bespoke material or to integrate other devices into the turnstile; our team will provide expert guidance to help you customise your turnstile solutions, to unlock your imagination to create the turnstile that best fits your specifications.

As part of the service we are able to provide 3D images to help you visualise how your new turnstile will look in situ.

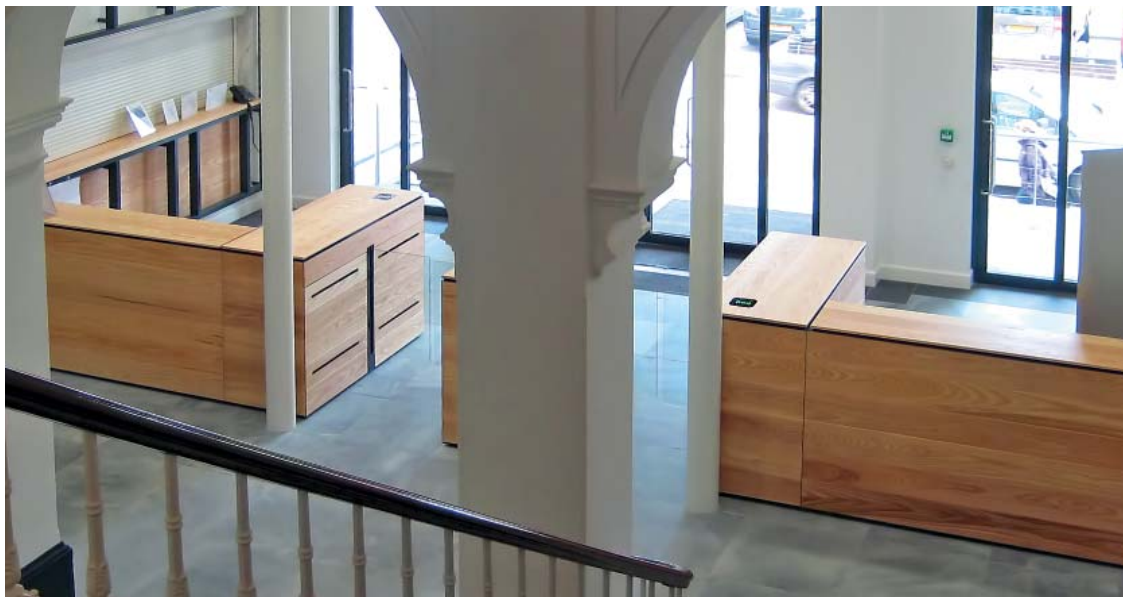


EasyGate SPT-R with black painted pedestal and black corian cladding



EasyGate LH 940 with white painted cabinet





EasyGate LH 940 with natural wood cladding



EasyGate SR 1000 with natural stone cladding



EasyGate SR 1000 with interconnection to REA::Ticket terminal



EasyGate BV with integration of Biometric/Time attendance terminal



EasyGate DG with integration of Visitor card collector



Integration of illuminated Emergency button

## > EasyGate Ticket

EasyGate Ticket is a unique concept integrating the EasyGate turnstile with the REA::Ticket terminal - both created by COMINFO - this ensures direct communication between the turnstile and ticketing terminal.

The design of the EasyGate Ticket solution which is based on the implementation of the ticketing terminal inside the turnstile cabinet with no external brackets, cables or other disturbing elements.

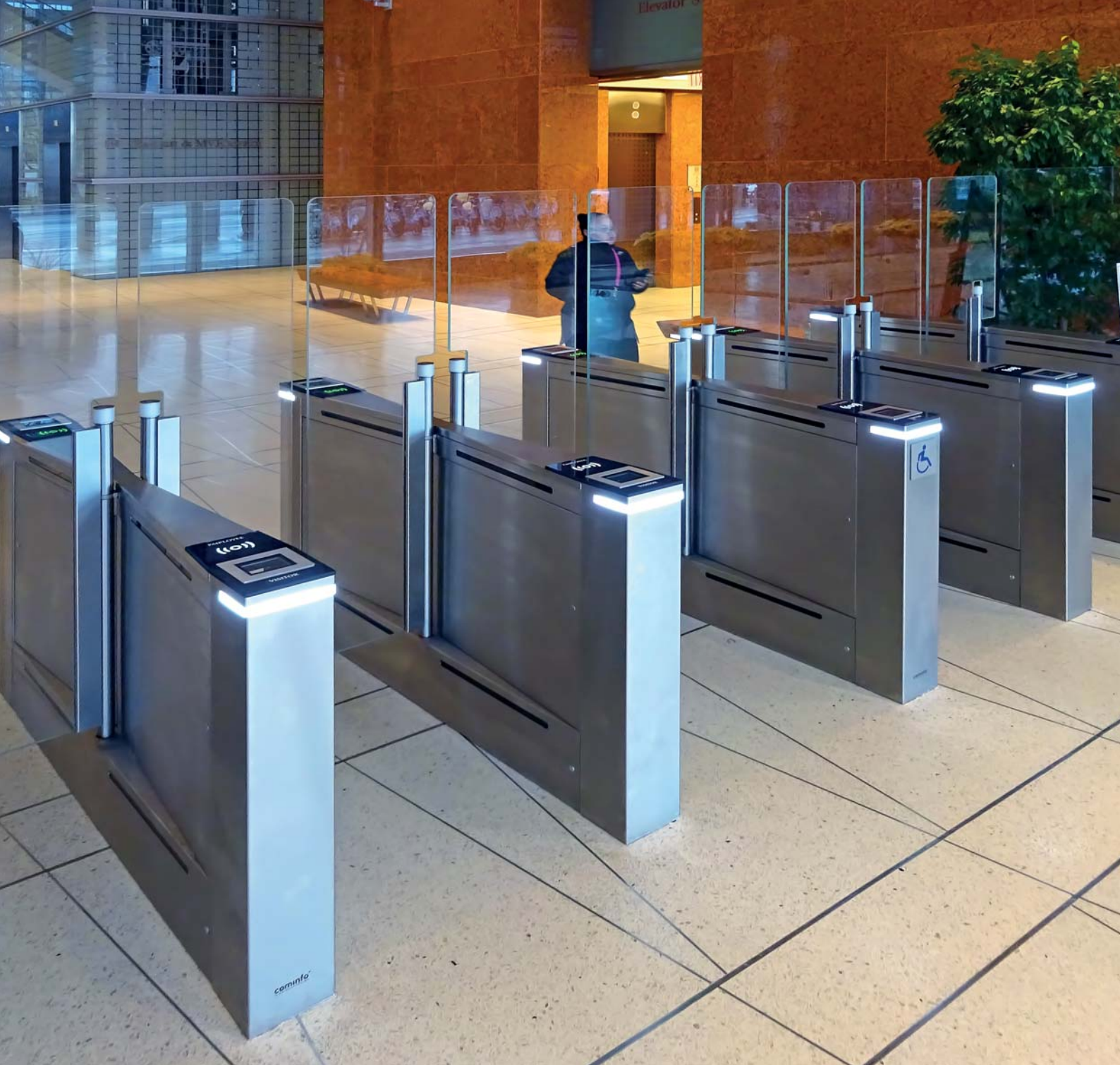
EasyGate Ticket offers a RFID reader, NFC technology as well as a BarCode scanner with an interconnection interface for all 3rd party Ticketing software.



EasyGate SG 1000 with integrated REA::Ticket terminal



EasyGate SG 1000 with integrated REA::Ticket terminal



Specifications are subject to change without prior notice.

**cominfo**<sup>®</sup>  
Security First

COMINFO, a.s., Nabrezi 695, 760 01 Zlín - Prstné, Czech Republic  
T +420 603 151 333  
cominfo@cominfo.cz  
[www.cominfo.eu](http://www.cominfo.eu)

