



FL1000

Face lock with password and card options

The world's first smart lock with embedded face recognition technology

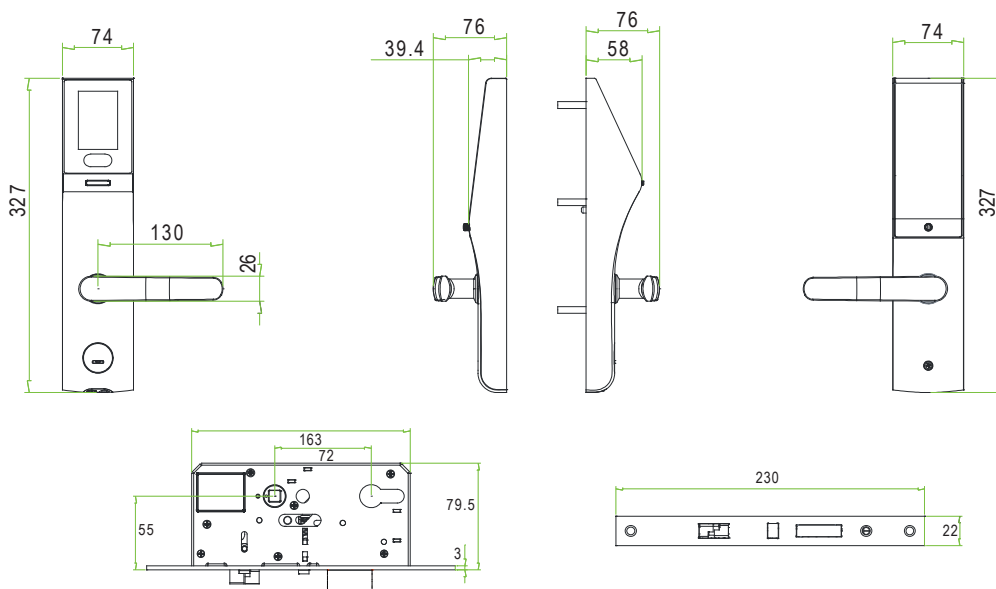
Features

- With the new generation face recognition algorithm
- European standard mortise with 5 latches
 - The deadbolt will be locked automatically once the door is closed
- Idle handle design to protect door lock
- 3 inch capacitive touch screen
- Icon Menu for easy and fast operation
- Four independent unlocking
 - face, password, card, mechanical Key
- Smart alarm for low battery & illegal operation
- Data upload/download via USB port
- Support passage mode
 - Normal Open
- Support query door open logs and illegal operation logs
- External terminals to draw back
 - up power from a 9V battery
- Backset is 55 mm
- 125khz ID card reader (optional)
- 13.56mhz Mifare card reader (optional)
- Remote open door (optional)

Specifications

Material	Zinc Alloy
Face Capacity	100
Password Capacity	100
Card Capacity (optional)	100
Log Capacity	30000
Communication	USB flash disk
Options	ID card, Mifare card, Remote Control Key
Operating Temperature	0°C - 45°C
Power Supply	8 × AA Alkaline Battery
Backup Unlocking Way	Mechanical Key & 9V Battery
Door Thickness	35-50 mm (standard) 50-65 mm (optional) 65-80 mm (optional)

Dimensions (mm)



ZKTeco Inc.
 ZK Mansion, Wuhe Rd, Gangtuo, Bantian, Buji Town,
 Longgang District, Shenzhen China 518129
 Tel: 86-755-8960 2345/46/47/48
 E-mail: sales@zkteco.com
 www.zkteco.com

Global Offices:
 USA: +1 732-412-6007
 EU: +34 916532891
 Brazil: +55 31 2515-8326
 Thailand: +66-027199154
 Mexico: +52-55-52928418

South Africa: +27 12 259 1047
 Egypt: +201110444134
 Dubai: +971 4 6091 310
 India: +91 8123536788
 Indonesia: +62 21 2921 8949

Vietnam: +84-0169-5813007
 Philippines: +63 9084118832
 Russia: +8 915 178-46-81