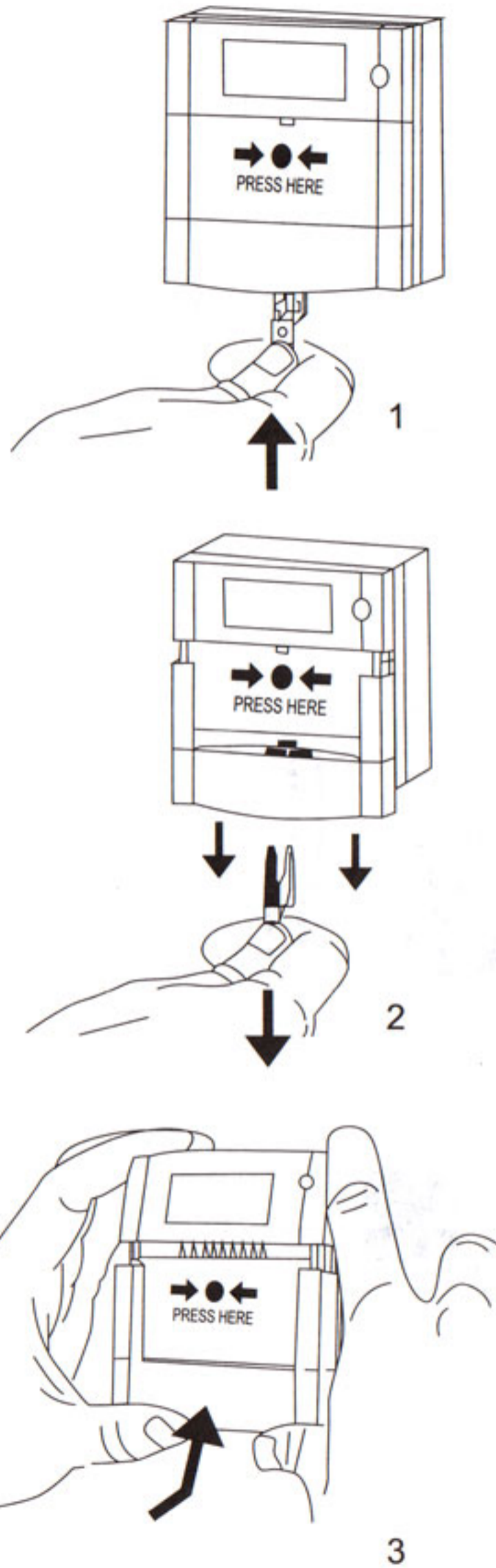
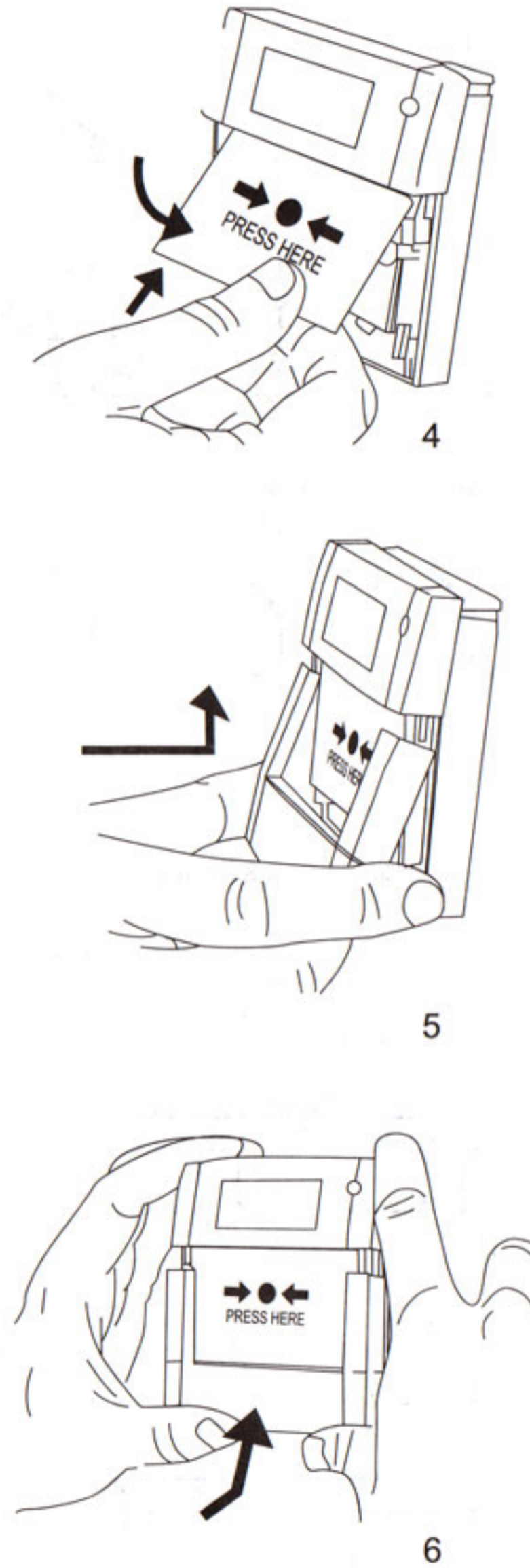
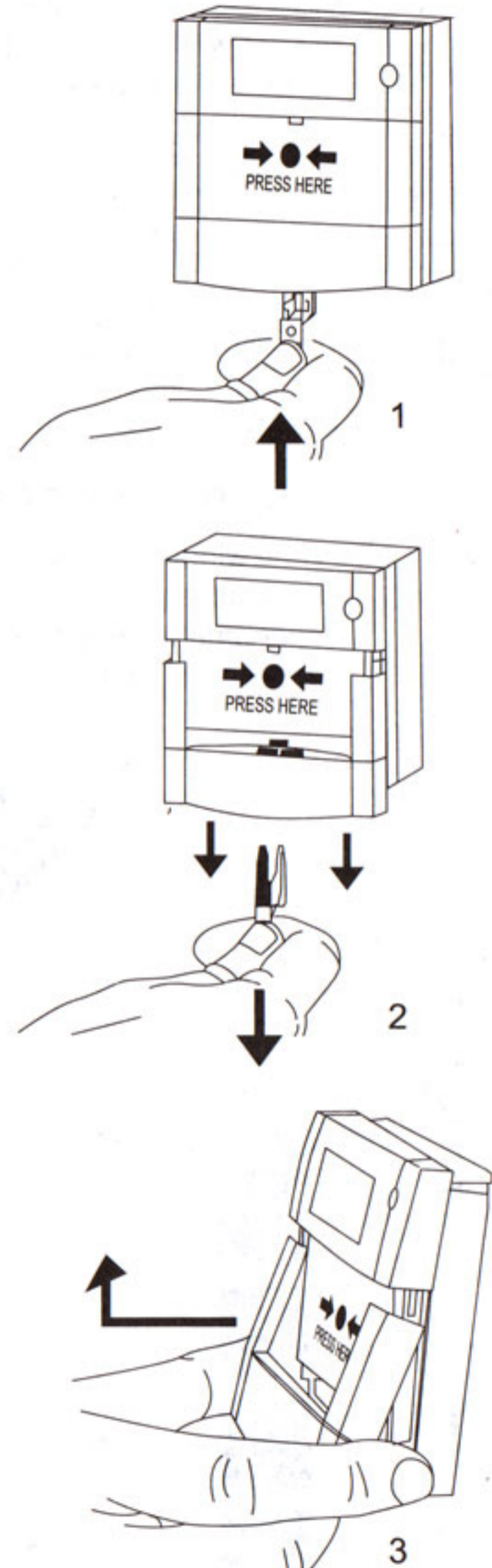


# INSTALLATION INSTRUCTIONS FOR THE MANUAL CALL POINT

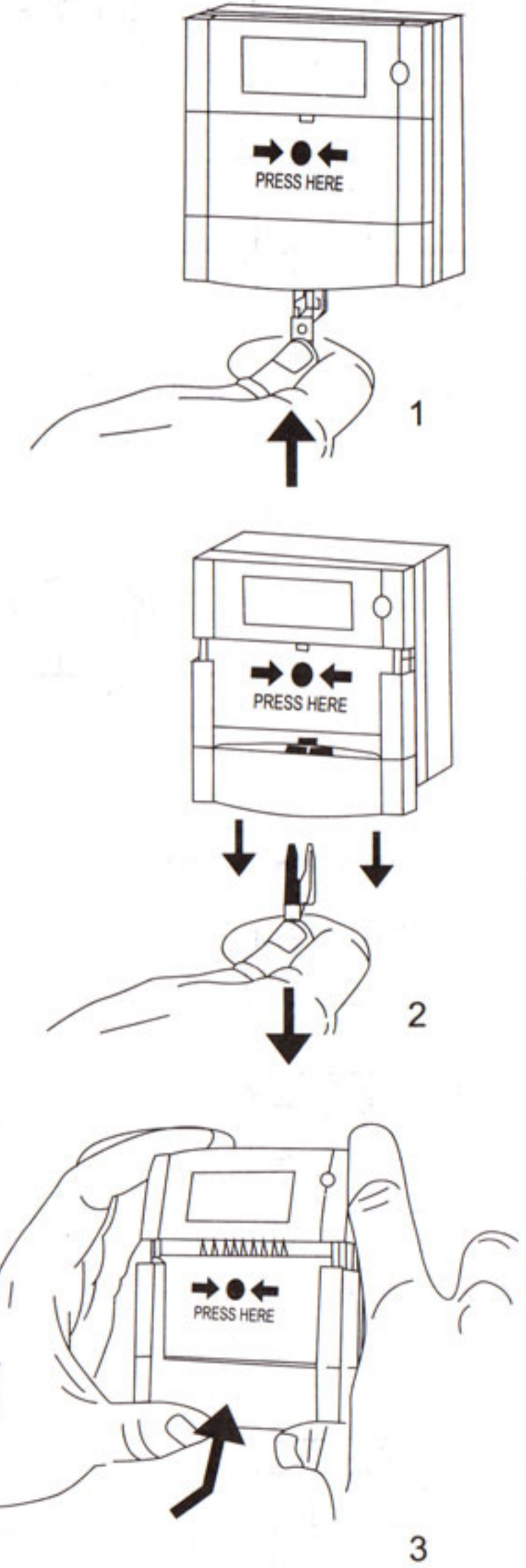
## TO TEST



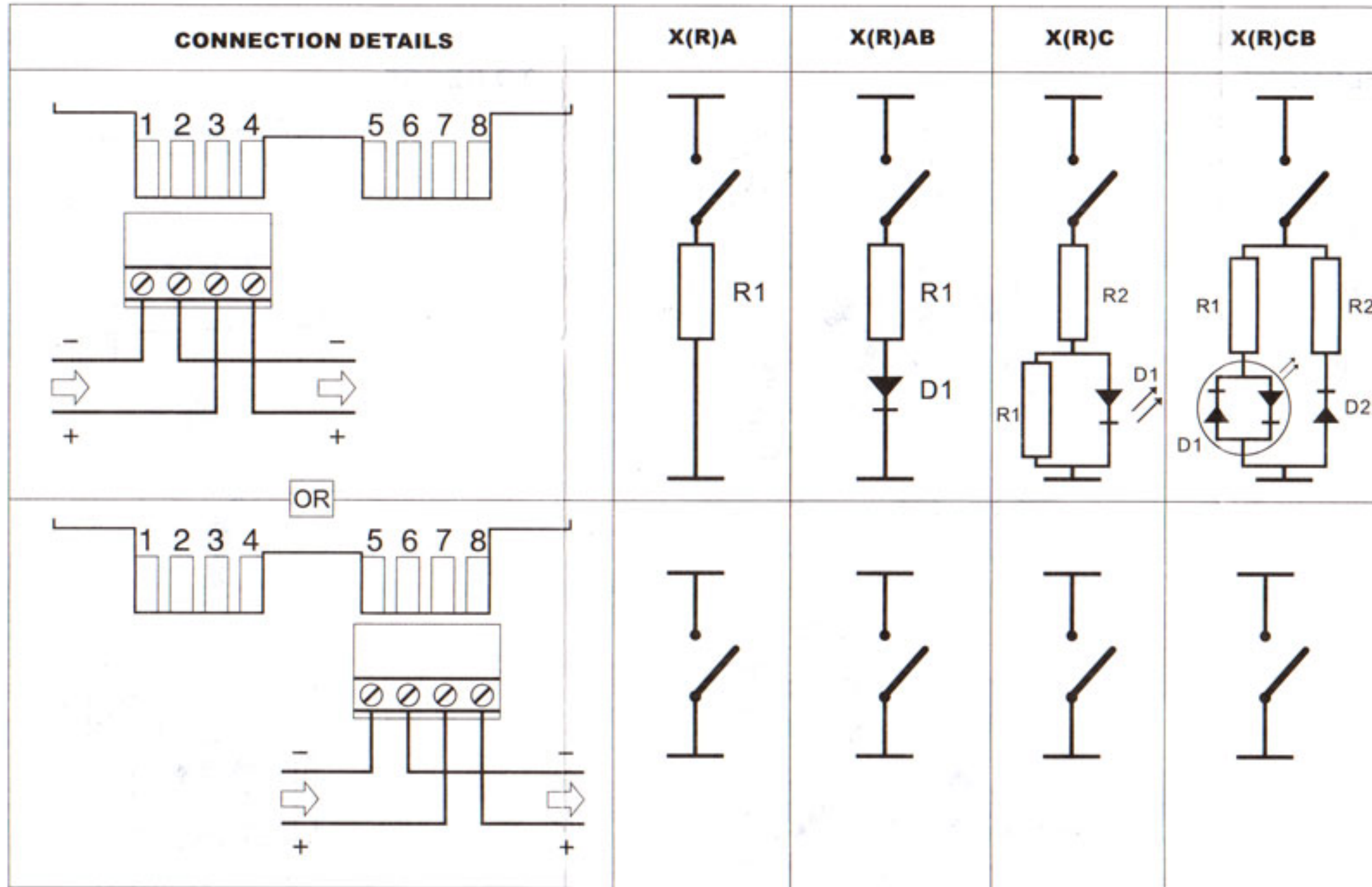
## TO REPLACE RESETTABLE ELEMENT



## TO RESET

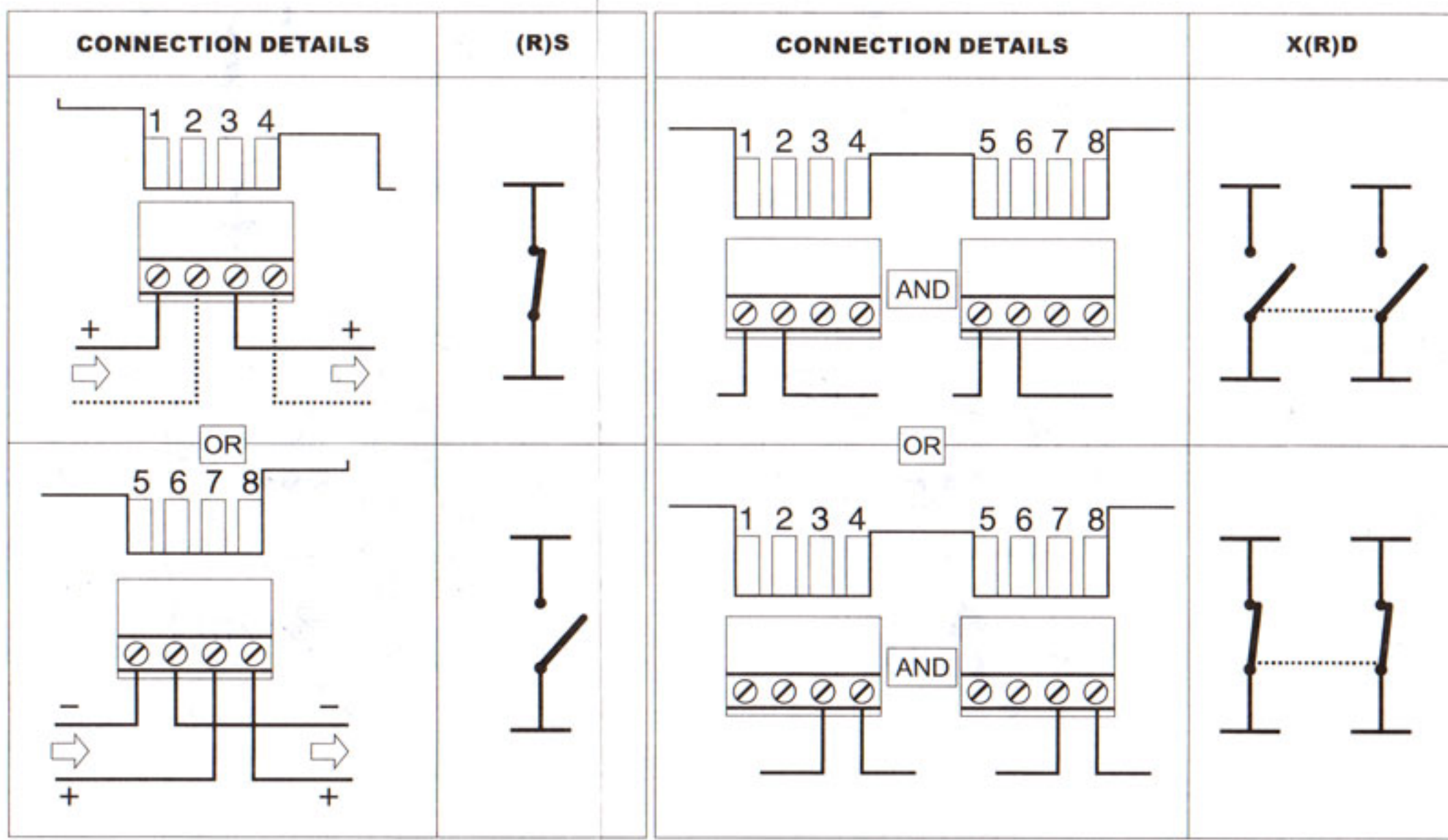
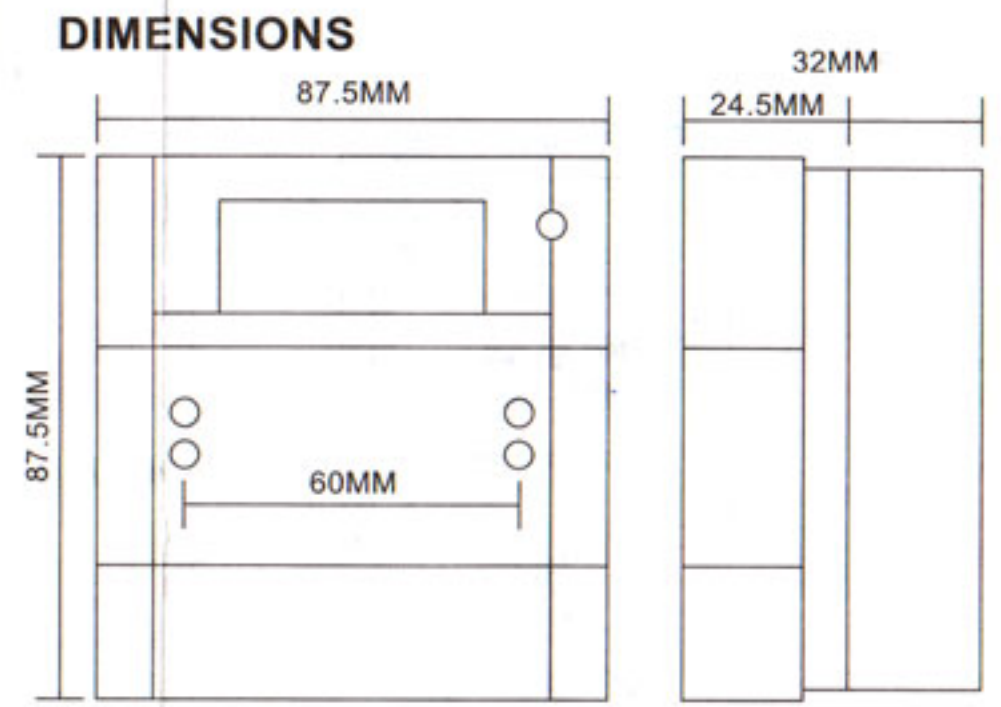


# INSTALLATION INSTRUCTIONS FOR THE MANUAL CALL POINT



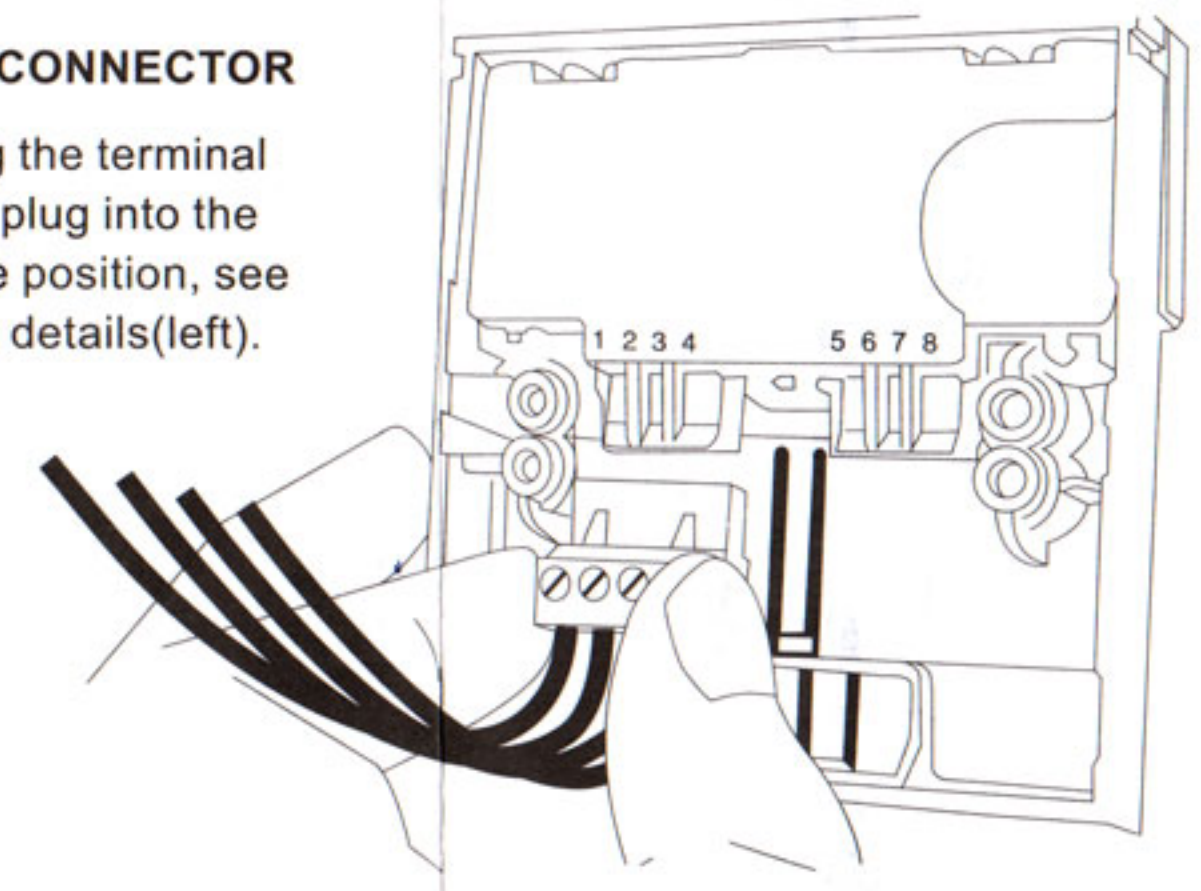
X — COLOR  
 (R) — RESISTANCE  
 A,C,D,L,S,T — RELAY OUTPUT  
 EG: R470A=X, RED, 470R.  
 transparent cover optional

RELAY OUTPUT	DESCRIPTION
A	SINGLE POLE WITH RESISTANCE
C	SINGLE POLE WITH RESISTANCE WITH LED, WITH ADDRESS CODE
D	DPDT
L	LED, SINGLE POLE WITH RESISTANCE WITH LED
S	SSINGLE POLE
T	TRIPLE POLE



### PUSH FIT CONNECTOR

After wiring the terminal connector, plug into the appropriate position, see connection details(left).



### TECHNICAL DATA

- 30VDC Max
- 2A Max
- IP24D
- 110/160G

-30°C to 70°C