



REXON

Full-height turnstiles



REXON FULL-HEIGHT SERIES

COMINFO offers a wide range of indoor and outdoor full height turnstiles and gates for access control applications in industrial entrances, sports arenas, military installations or other premises, where you want to achieve a high security turnstile solution without manned monitoring.

The REXON turnstile range comes with anti-corrosive surface of all components as standard and their high quality finish guarantees reliable operation not only indoor environments but also under harsh and extreme conditions of outdoor installations.

The REXON full height turnstiles come with a sealed motorized drive which provides greater reliability, lower maintenance and faster, easier throughput than traditional mechanical units.

The REXON full height turnstiles features sophisticated speed control, which is designed to improve the user experience by providing a consistently smooth, controlled, rotation. This kind of consistently controlled rotation is safer for the user and substantially reduces turnstile wear and tear in heavy use installations for lower maintenance requirement and a longer life span.

A heavy duty motorized drive system and interlocking toothed brake are controlled by our purpose design/built ASIC microprocessor platform that controls the system and also provides multiple I/O interfaces choices at no additional cost.

BENEFITS:

- An effective and intuitive mechanical entry control system
- Motor automatically adapts the rotation speed to the users
- Offers a high level of safety features with redundancy
- Virtually silent in operation - can be used in quiet zones
- Tunable final rotation phase adjustable to specific traffic



ERA

REXON ERA 3
REXON ERA DUO 3
REXON ERA 3 GATE-Bike
REXON ERA 4
REXON ERA 4-LE
REXON ERA DUO 4-LE
REXON ERA 3 GS
REXON ERA DUO 3 GS
REXON ERA 3 GS-U
REXON Basic
REXON GLASS (1 600 / 1 800 mm)

DEA

REXON DEA 3
REXON DEA DUO 3
REXON DEA 3-U
REXON DEA 3 GATE-Bike
REXON DEA 3 GATE-Bike-U
REXON DEA 3 GATE-Full
REXON DEA 3 GATE-Full-U
REXON DEA 4
REXON DEA DUO 4

GATE

GATE ERA
GATE ERA DUO
GATE ERA-U
GATE ERA DUO-U
GATE ERA LE
GATE ERA DUO LE
GATE ERA LE-U
GATE ERA DUO LE-U
GATE DEA
GATE DEA DUO
GATE DEA-U
GATE DEA DUO-U

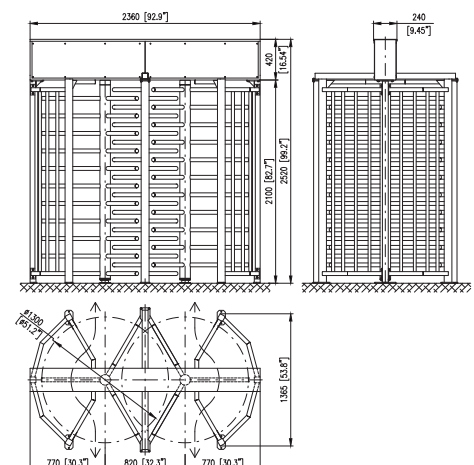
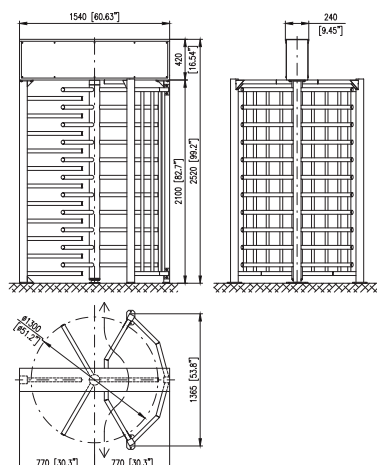
REXON ERA 3

REXON ERA DUO 3



	REXON ERA 3	REXON ERA DUO 3
Unit type	full-height motorized turnstile	double full-height motorized turnstile
Door wings	3	3
Passage mode	bi-directional	bi-directional
Barrier type	11 straight bars Ø 40 mm / Ø 1.57" with black plastic covering caps	11 straight bars Ø 40 mm / Ø 1.57" with black plastic covering caps
Dimensions Unit height	2 520 mm / 99.21"	2 520 mm / 99.21"
Unit width	1 540 mm / 60.63"	2 360 mm / 92.91"
Passage height	2 100 mm / 82.68"	2 100 mm / 82.68"
Passage width	580 mm / 22.83"	580 mm / 22.83"
Surface finish Frame	hot-dip zinc galvanized	hot-dip zinc galvanized
Central column / bars	hot-dip zinc galvanized	hot-dip zinc galvanized
Top panel	hot-dip zinc galvanized, powder coated finish in RAL 7040	hot-dip zinc galvanized, powder coated finish in RAL 7040
Power supply	13,8V DC / 24V AC / 120 V AC / 230 V AC	13,8V DC / 24V AC / 120 V AC / 230 V AC
Communication interface	RS485 / USB / Ethernet	RS485 / USB / Ethernet
Power loss motor setting	Fail-Safe / Fail-Lock	Fail-Safe / Fail-Lock
Installation environment	indoor / outdoor	indoor / outdoor
Options & accessories*		
Outdoor package (IP 65, -20°C to +50°C / -4°F to +122°F)	yes	yes
Extreme outdoor package (IP 65, -40°C to +60°C / -40°F to +140°F)	yes	yes
Go Call (visual passage confirmation)	yes	yes
Proximity reader bracket	yes	yes
Ceiling light	yes	yes
Roof	yes	yes
Remote control (consoles / SW app for PC)	yes	yes
Power supply backup	yes	yes
Alternative housing material	RAL colour / stainless steel ISI 304 or AISI 316	RAL colour / stainless steel AISI 304 or AISI 316

* For more additional options see page 22



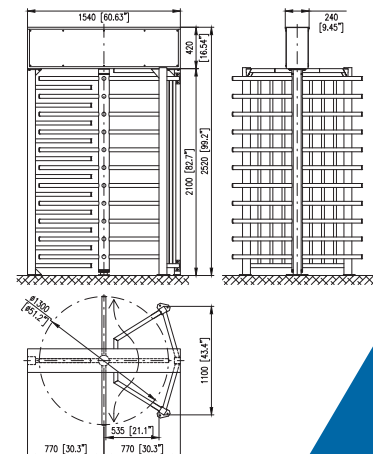
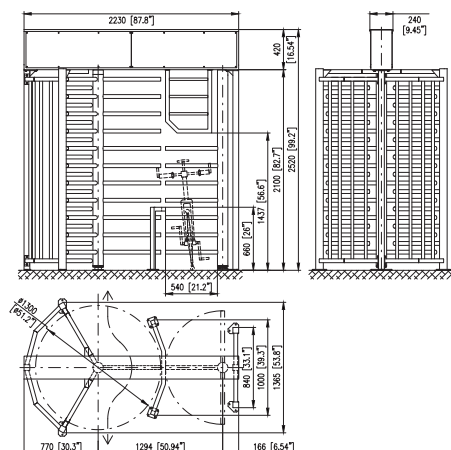
REXON ERA 3 GATE-BIKE

REXON ERA 4



Unit type	REXON ERA GATE-Bike	REXON ERA 4	
Door wings	3	4	
Passage mode	bi-directional	bi-directional	
Barrier type	11 straight bars Ø 40 mm / Ø 1.57" with black plastic covering caps	11 straight bars Ø 40 mm / Ø 1.57" with black plastic covering caps	
Dimensions	Unit height	2 520 mm / 99.21"	2 520 mm / 99.21"
	Unit width	2 230 mm / 87.8"	1 540 mm / 60.63"
	Passage height	2 100 mm / 82.68"	2 100 mm / 82.68"
	Passage width	580 mm / 22.83"	535 mm / 21.06"
	Passage width for bike / small motorbike	540 mm (21.26") / 730 mm (28.74")	-
Surface finish	Frame	hot-dip zinc galvanized	hot-dip zinc galvanized
	Central column / bars	hot-dip zinc galvanized	hot-dip zinc galvanized
	Top panel	hot-dip zinc galvanized, powder coated finish in RAL 7040	hot-dip zinc galvanized, powder coated finish in RAL 7040
Power supply	13,8V DC / 24V AC / 120 V AC / 230 V AC	13,8V DC / 24V AC / 120 V AC / 230 V AC	
Communication interface	RS485 / USB / Ethernet	RS485 / USB / Ethernet	
Power loss motor setting	Fail-Safe / Fail-Lock	Fail-Safe / Fail-Lock	
Installation environment	indoor / outdoor	indoor / outdoor	
Options & accessories*			
Outdoor package (IP 65, -20°C to +50°C / -4°F to +122°F)	yes	yes	
Extreme outdoor package (IP 65, -40°C to +60°C / -40°F to +140°F)	yes	yes	
Go Call (visual passage confirmation)	yes	yes	
Inductive loop / controller	yes	yes	
Proximity reader bracket	yes	yes	
Ceiling light	yes	yes	
Roof	yes	yes	
Remote control (consoles / SW app for PC)	yes	yes	
Power supply backup	yes	yes	
Alternative housing material	RAL colour / stainless steel AISI 304 or AISI 316	RAL colour / stainless steel AISI 304 or AISI 316	

* For more additional options see page 22



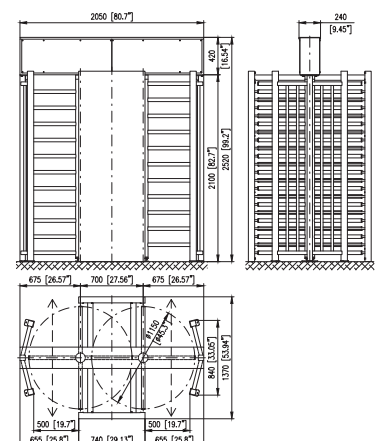
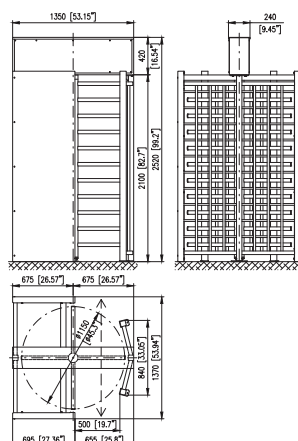
REXON ERA 4-LE

REXON ERA DUO 4-LE



		REXON ERA 4-LE	REXON ERA DUO 4-LE
Unit type		full-height motorized turnstile with entry / exit side panels	double full-height motorized turnstile with entry / exit side panels
Door wings		4	4
Passage mode		bi-directional	bi-directional
Barrier type		11 straight bars Ø 40 mm / Ø 1.57" with black plastic covering caps	11 straight bars Ø 40 mm / Ø 1.57" with black plastic covering caps
Dimensions	Unit height	2 520 mm / 99.21"	2 520 mm / 99.21"
	Unit width	1 350 mm / 53.15"	2 050 mm / 80.71"
	Passage height	2 100 mm / 82.68"	2 100 mm / 82.68"
	Passage width	550 mm / 21.63"	550 mm / 21.63"
Surface finish	Frame	hot-dip zinc galvanized	hot-dip zinc galvanized
	Central column / bars / side panels	hot-dip zinc galvanized	hot-dip zinc galvanized
	Top panel	hot-dip zinc galvanized, powder coated finish in RAL 7040	hot-dip zinc galvanized, powder coated finish in RAL 7040
Power supply		13,8V DC / 24V AC / 120 V AC / 230 V AC	13,8V DC / 24V AC / 120 V AC / 230 V AC
Communication interface		RS485 / USB / Ethernet	RS485 / USB / Ethernet
Power loss motor setting		Fail-Safe / Fail-Lock	Fail-Safe / Fail-Lock
Installation environment		indoor / outdoor	indoor / outdoor
Options & accessories*			
	Outdoor package (IP 65, -20°C to +50°C / -4°F to +122°F)	yes	yes
	Extreme outdoor package (IP 65, -40°C to +60°C / -40°F to +140°F)	yes	yes
	Go Call (visual passage confirmation)	yes	yes
	Proximity reader bracket	yes	yes
	Ceiling Light	yes	yes
	Roof	yes	yes
	Remote control (consoles / SW app for PC)	yes	yes
	Power supply backup	yes	yes
	Alternative housing material	RAL colour / stainless steel AISI 304 or AISI 316	RAL colour / stainless steel AISI 304 or AISI 316

* For more additional options see page 22



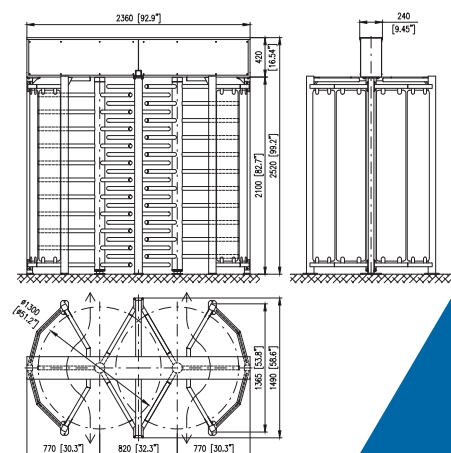
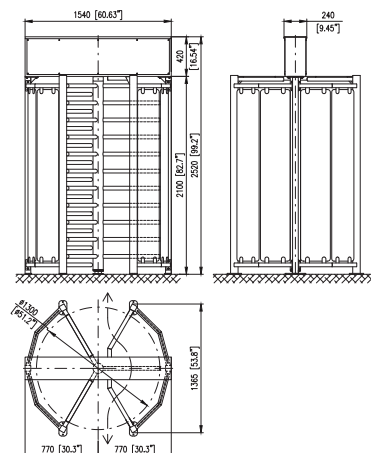
REXON ERA 3 GS

REXON ERA DUO 3 GS



Unit type		REXON ERA 3 GS	REXON ERA DUO 3 GS
Door wings		3	3
Passage mode		bi-directional	bi-directional
Barrier type		11 straight bars Ø 40 mm / Ø 1.57" with black plastic covering caps	11 straight bars Ø 40 mm / Ø 1.57" with black plastic covering caps
Dimensions	Unit height	2 520 mm / 99,21"	2 520 mm / 99,21"
	Unit width	1 540 mm / 60,63"	2 360 mm / 92,91"
	Passage height	2 100 mm / 82,68"	2 100 mm / 82,68"
	Passage width	570 mm / 22,44"	570 mm / 22,44"
Surface finish	Frame / top panel	hot-dip zinc galvanized, powder coated finish in RAL 7040	hot-dip zinc galvanized, powder coated finish in RAL 7040
	Central column / bars	hot-dip zinc galvanized	hot-dip zinc galvanized
	Side panels	laminated glass	laminated glass
Power supply		13,8V DC / 24V AC / 120 V AC / 230 V AC	13,8V DC / 24V AC / 120 V AC / 230 V AC
Communication interface		RS485 / USB / Ethernet	RS485 / USB / Ethernet
Power loss motor setting		Fail-Safe / Fail-Lock	Fail-Safe / Fail-Lock
Installation environment		indoor / outdoor	indoor / outdoor
Options & accessories*			
Outdoor package (IP 65, -20°C to +50°C / -4°F to +122°F)		yes	yes
Extreme outdoor package (IP 65, -40°C to +60°C / -40°F to +140°F)		yes	yes
Go Call (visual passage confirmation)		yes	yes
Proximity reader bracket		yes	yes
Ceiling Light		yes	yes
Roof		yes	yes
Remote control (consoles / SW app for PC)		yes	yes
Power supply backup		yes	yes
Alternative housing material		RAL colour / stainless steel AISI 304 or AISI 316	RAL colour / stainless steel AISI 304 or AISI 316

* For more additional options see page 22

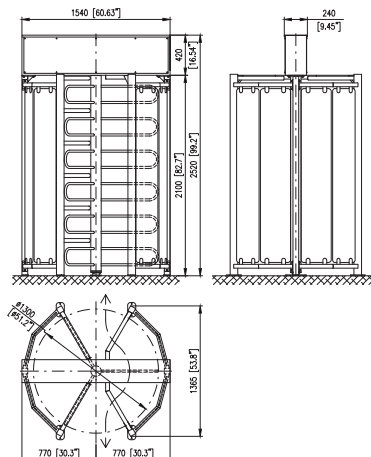


REXON ERA 3 GS-U



Unit type	REXON ERA 3 GS-U full-height motorized turnstile with side glass panels
Door wings	3
Passage mode	bi-directional
Barrier type	6 trombone style bars Ø 22 mm / Ø 0.87"
Dimensions Unit height	2 520 mm / 99.21"
Unit width	1 540 mm / 60.63"
Passage height	2 100 mm / 82.68"
Passage width	570 mm / 22.44"
Surface finish Frame / top panel	hot-dip zinc galvanized, powder coated finish in RAL 7040
Central column / bars	polished stainless steel
Side panels	laminated glass
Power supply	13,8V DC / 24V AC / 120 V AC / 230 V AC
Communication interface	RS485 / USB / Ethernet
Power loss motor setting	Fail-Safe / Fail-Lock
Installation environment	indoor / outdoor
Options & accessories*	
Outdoor package (IP 65, -20°C to +50°C / -4°F to +122°F)	yes
Extreme outdoor package (IP 65, -40°C to +60°C / -40°F to +140°F)	yes
Go Call (visual passage confirmation)	yes
Proximity reader bracket	yes
Ceiling Light	yes
Roof	yes
Remote control (consoles / SW app for PC)	yes
Power supply backup	yes
Alternative housing material	RAL colour / stainless steel AISI 304 or AISI 316

* For more additional options see page 22

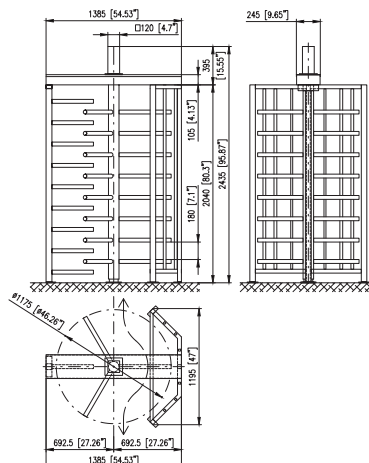


REXON BASIC



Unit type	REXON Basic full-height motorized turnstile
Door wings	3
Passage mode	bi-directional
Barrier type	8 straight bars \varnothing 40 mm / \varnothing 1.57" with black plastic covering caps
Dimensions Unit height	2 435 mm / 95.87"
Unit width	1 385 mm / 54.53"
Passage height	2 040 mm / 80.31"
Passage width	580 mm / 22.83"
Surface finish Frame	hot-dip zinc galvanized
Central column / bars	hot-dip zinc galvanized
Top panel	hot-dip zinc galvanized
Power supply	13,8V DC / 24V AC / 120 V AC / 230 V AC
Communication interface	RS485 / USB / Ethernet
Power loss motor setting	Fail-Safe / Fail-Lock
Installation environment	indoor / outdoor
Options & accessories*	
Outdoor package (IP 65, -20°C to +50°C / -4°F to +122°F)	yes
Extreme outdoor package (IP 65, -40°C to +60°C / -40°F to +140°F)	no
Go Call (visual passage confirmation)	yes
Proximity reader bracket	yes
Ceiling Light	yes
Roof	yes
Remote control (consoles / SW app for PC)	yes
Power supply backup	yes
Alternative housing material	RAL colour / stainless steel AISI 304 or AISI 316

* For more additional options see page 22

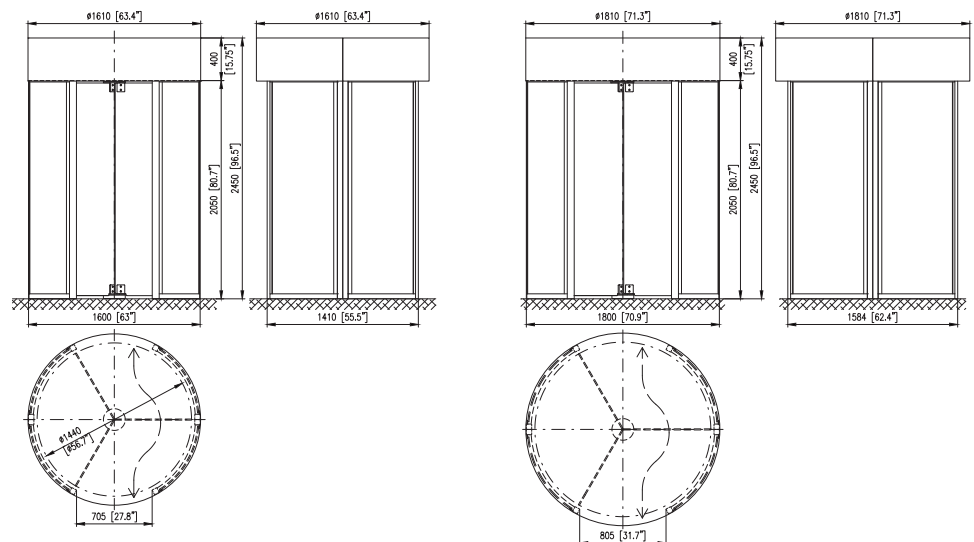


REXON GLASS (1 600 / 1 800 mm)



Unit type		REXON GLASS 1600	REXON GLASS 1800
Door wings		3	3
Passage mode		bi-directional	bi-directional
Barrier type		10 mm / 0,39" tempered laminated glass	10 mm / 0,39" tempered laminated glass
Dimensions	Unit height	2 250 mm / 88.58"	2 250 mm / 88.58"
	Unit width	1 610 mm / 63.39"	1 810 mm / 71.26"
	Passage height	2 050 mm / 80,71"	2 050 mm / 80,71"
	Passage width	705 mm / 27.76"	805 mm / 31.69"
Surface finish	Frame	brushed stainless steel AISI 304	brushed stainless steel AISI 304
	Top panel	brushed stainless steel AISI 304	brushed stainless steel AISI 304
	Barriers / side panels	10 mm / 0,39" tempered laminated glass	10 mm / 0,39" tempered laminated glass
Power supply		13,8V DC / 24V AC / 120 V AC / 230 V AC	13,8V DC / 24V AC / 120 V AC / 230 V AC
Communication interface		RS485 / USB / Ethernet	RS485 / USB / Ethernet
Power loss motor setting		Fail-Safe / Fail-Lock	Fail-Safe / Fail-Lock
Installation environment		indoor	indoor
Options & accessories*			
Outdoor package (IP 65, -20°C to +50°C / -4°F to +122°F)		no	no
Extreme outdoor package (IP 65, -40°C to +60°C / -40°F to +140°F)		no	no
Go Call (visual passage confirmation)		yes	yes
Anti-Tailgating system		yes	yes
Proximity reader bracket		yes	yes
Ceiling light		yes	yes
Remote control (consoles / SW app for PC)		yes	yes
Power supply backup		yes	yes
Alternative housing material		stainless steel AISI 316	stainless steel AISI 316

* For more additional options see page 22



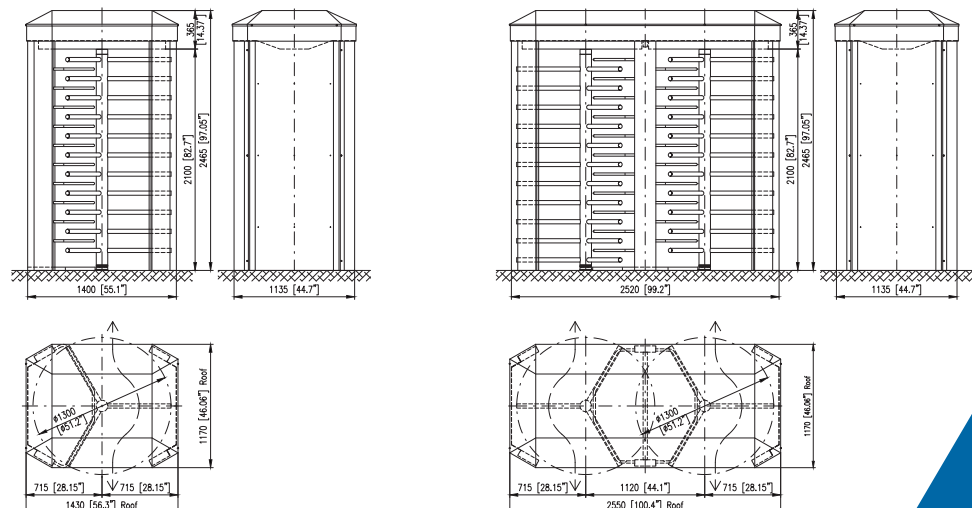
REXON DEA 3

REXON DEA DUO 3



Unit type		REXON DEA 3	REXON DEA DUO 3
Door wings		3	3
Passage mode		bi-directional	bi-directional
Barrier type		11 straight bars Ø 40 mm / Ø 1.57" with black plastic covering caps	11 straight bars Ø 40 mm / Ø 1.57" with black plastic covering caps
Dimensions	Unit height	2 465 mm / 97.05"	2 465 mm / 97.05"
	Unit width	1 400 mm / 55.12"	2 520 mm / 55.12"
	Passage height	2 100 mm / 82.68"	2 100 mm / 82.68"
	Passage width	620 mm / 24.41"	620 mm / 24.41"
Surface finish			
	Roof / side panels	hot-dip zinc galvanized, powder coated finish in RAL colour per specs	hot-dip zinc galvanized, powder coated finish in RAL colour per specs
	Central column / bars	hot-dip zinc galvanized	hot-dip zinc galvanized
Power supply		13,8V DC / 24V AC / 120 V AC / 230 V AC	13,8V DC / 24V AC / 120 V AC / 230 V AC
Communication interface		RS485 / USB / Ethernet	RS485 / USB / Ethernet
Power loss motor setting		Fail-Safe / Fail-Lock	Fail-Safe / Fail-Lock
Installation environment		indoor / outdoor	indoor / outdoor
Options & accessories*			
	Outdoor package (IP 65, -20°C to +50°C / -4°F to +122°F)	yes	yes
	Extreme outdoor package (IP 65, -40°C to +60°C / -40°F to +140°F)	no	no
	Go Call (visual passage confirmation)	yes	yes
	Proximity reader bracket	yes	yes
	Ceiling Light	yes	yes
	Remote control (consoles / SW app for PC)	yes	yes
	Power supply backup	yes	yes
	Alternative housing material	RAL colour / stainless steel AISI 304 or AISI 316	RAL colour / stainless steel AISI 304 or AISI 316

* For more additional options see page 22

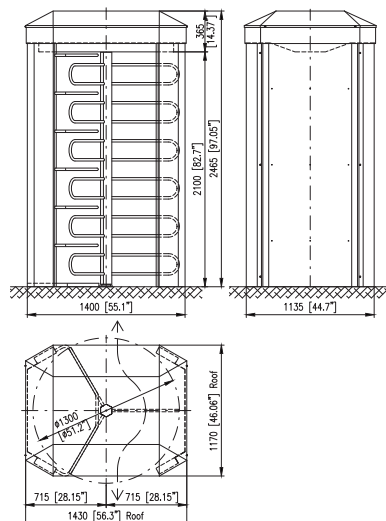


REXON DEA 3-U



Unit type	REXON DEA 3-U full-height motorized turnstile		
Door wings	3		
Passage mode	bi-directional		
Barrier type	6 trombone style bars Ø 22 mm / 0.87"		
Dimensions	Unit height	2 465 mm / 97.05"	
	Unit width	1 400 mm / 55.12"	
	Passage height	2 100 mm / 82.68"	
	Passage width	620 mm / 24.41"	
Surface finish	Roof / side panels	hot-dip zinc galvanized, powder coated finish in RAL colour per specs	
	Central column / bars	polished stainless steel	
	Power supply	13,8V DC / 24V AC / 120 V AC / 230 V AC	
Communication interface	RS485 / USB / Ethernet		
Power loss motor setting	Fail-Safe / Fail-Lock		
Installation environment	indoor / outdoor		
Options & accessories*	Outdoor package (IP 65, -20°C to +50°C / -4°F to +122°F)	yes	
	Extreme outdoor package (IP 65, -40°C to +60°C / -40°F to +140°F)	no	
	Go Call (visual passage confirmation)	yes	
	Proximity reader bracket	yes	
	Ceiling Light	yes	
	Remote control (consoles / SW app for PC)	yes	
	Power supply backup	yes	
	Alternative housing material	RAL colour / stainless steel AISI 304 or AISI 316	

* For more additional options see page 22



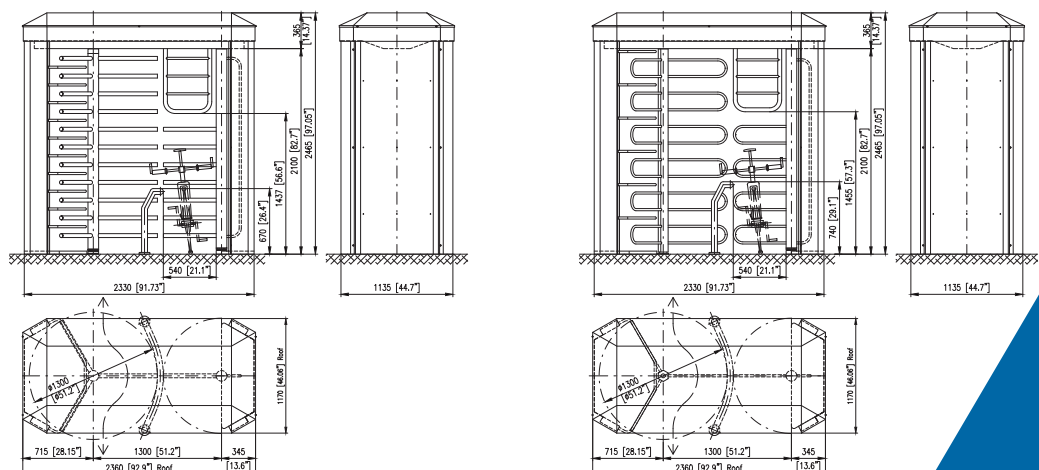
REXON DEA 3 GATE-BIKE

REXON DEA 3 GATE-BIKE-U



Unit type		REXON DEA 3 GATE-BIKE	REXON DEA 3 GATE-BIKE-U
Door wings		3	3
Passage mode		bi-directional	bi-directional
Barrier type		11 straight bars Ø 40 mm / Ø 1.57" with black plastic covering caps	6 trombone style bars Ø 22 mm / Ø 0.87"
Dimensions	Unit height	2 465 mm / 97.05"	2 465 mm / 97.05"
	Unit width	2 330 mm / 91.73"	2 330 mm / 91.73"
	Passage height	2 100 mm / 82.68"	2 100 mm / 82.68"
	Passage width	620 mm / 24.41"	620 mm / 24.41"
	Passage width for bike / small motorbike	540 mm (21.26") / 730 mm (28.74")	540 mm (21.26") / 730 mm (28.74")
Surface finish	Roof / side panels	hot-dip zinc galvanized, powder coated finish in RAL colour per specs	hot-dip zinc galvanized, powder coated finish in RAL colour per specs
	Central column / bars	hot-dip zinc galvanized	polished stainless steel
Power supply		13,8V DC / 24V AC / 120 V AC / 230 V AC	13,8V DC / 24V AC / 120 V AC / 230 V AC
Communication interface		RS485 / USB / Ethernet	RS485 / USB / Ethernet
Power loss motor setting		Fail-Safe / Fail-Lock	Fail-Safe / Fail-Lock
Installation environment		indoor / outdoor	indoor / outdoor
Options & accessories*			
Outdoor package (IP 65, -20°C to +50°C / -4°F to +122°F)		yes	yes
Extreme outdoor package (IP 65, -40°C to +60°C / -40°F to +140°F)		no	no
Go Call (visual passage confirmation)		yes	yes
Inductive loop / controller		yes	yes
Proximity reader bracket		yes	yes
Ceiling Light		yes	yes
Remote control (consoles / SW app for PC)		yes	yes
Power supply backup		yes	yes
Alternative housing material		RAL colour / stainless steel AISI 304 or AISI 316	RAL colour / stainless steel AISI 304 or AISI 316

* For more additional options see page 22



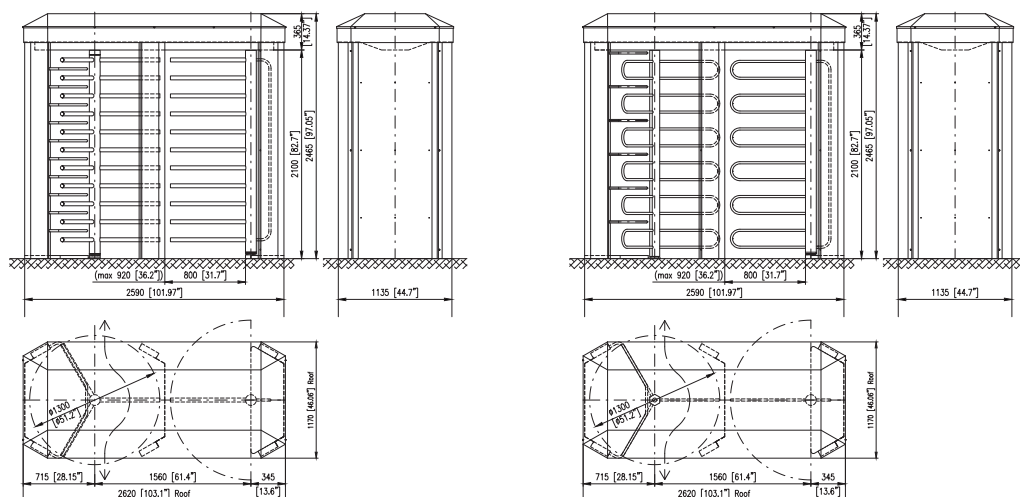
REXON DEA 3 GATE-FULL

REXON DEA 3 GATE-FULL-U



		REXON DEA 3 GATE-Full	REXON DEA 3 GATE-Full-U
Unit type		full-height motorized turnstile with integrated full-height gate	full-height motorized turnstile with integrated full-height gate
Door wings		3	3
Passage mode		bi-directional	bi-directional
Barrier type		11 straight bars Ø 40 mm / Ø 1.57" with black plastic covering caps	6 trombone style bars Ø 22 mm / 0.87"
Dimensions	Unit height	2 465 mm / 97.05"	2 465mm / 97.05"
	Unit width	2 590 mm / 101.97"	2 590 mm / 101.97"
	Passage height	2 100 mm / 82.68"	2 100 mm / 82.68"
	Passage width	620 mm / 24.41"	620 mm / 24.41"
Surface finish	Roof / side panels	hot-dip zinc galvanized, powder coated finish in RAL colour per specs	hot-dip zinc galvanized, powder coated finish in RAL colour per specs
	Central column / bars	hot-dip zinc galvanized	polished stainless steel
Power supply		13,8V DC / 24V AC / 120 V AC / 230 V AC	13,8V DC / 24V AC / 120 V AC / 230 V AC
Communication interface		RS485 / USB / Ethernet	RS485 / USB / Ethernet
Power loss motor setting		Fail-Safe / Fail-Lock	Fail-Safe / Fail-Lock
Installation environment		indoor / outdoor	indoor / outdoor
Options & accessories*			
	Outdoor package (IP 65, -20°C to +50°C / -4°F to +122°F)	yes	yes
	Extreme outdoor package (IP 65, -40°C to +60°C / -40°F to +140°F)	no	no
	Go Call (visual passage confirmation)	yes	yes
	Proximity reader bracket	yes	yes
	Ceiling Light	yes	yes
	Remote control (consoles / SW app for PC)	yes	yes
	Power supply backup	yes	yes
	Alternative housing material	RAL colour / stainless steel AISI 304 or AISI 316	RAL colour / stainless steel AISI 304 or AISI 316

* For more additional options see page 22



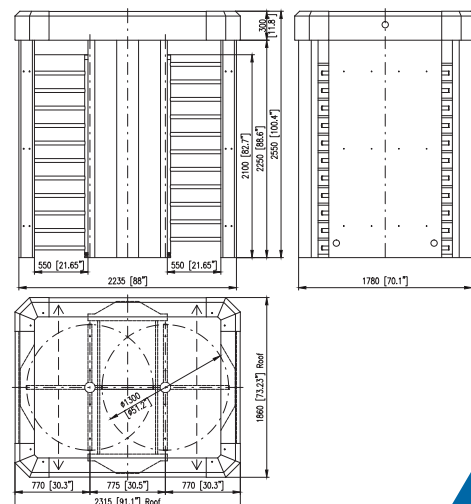
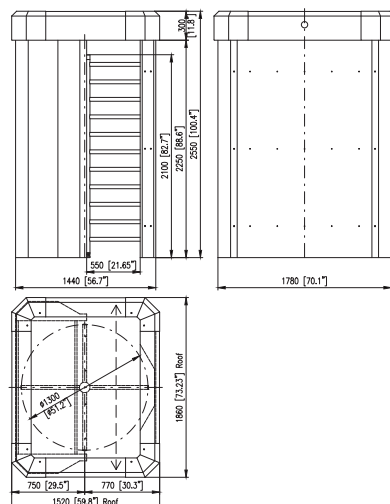
REXON DEA 4

REXON DEA DUO 4



		REXON DEA 4	REXON DEA DUO 4
Unit type		full-height motorized turnstile	double full-height motorized turnstile
Door wings		4	4
Passage mode		bi-directional	bi-directional
Barrier type		11 straight bars Ø 40 mm / Ø 1.57" with black plastic covering caps	11 straight bars Ø 40 mm / Ø 1.57" with black plastic covering caps
Dimensions	Unit height	2 550 mm / 100.39"	2 550 mm / 100.39"
	Unit width	1 440 mm / 56.69"	2 235 mm / 88"
	Passage height	2 100 mm / 82.68"	2 100 mm / 82.68"
	Passage width	550 mm / 21.65"	550 mm / 21.65"
Surface finish	Roof / side panels	stainless steel AISI 304 brushed finish	stainless steel AISI 304 brushed finish
	Central column / bars	stainless steel AISI 304 brushed finish	stainless steel AISI 304 brushed finish
Power supply		13,8V DC / 24V AC / 120 V AC / 230 V AC	13,8V DC / 24V AC / 120 V AC / 230 V AC
Communication interface		RS485 / USB / Ethernet	RS485 / USB / Ethernet
Power loss motor setting		Fail-Safe / Fail-Lock	Fail-Safe / Fail-Lock
Installation environment		indoor / outdoor	indoor / outdoor
Options & accessories*			
	Outdoor package (IP 65, -20°C to +50°C / -4°F to +122°F)	yes	yes
	Extreme outdoor package (IP 65, -40°C to +60°C / -40°F to +140°F)	no	no
	Go Call (visual passage confirmation)	yes	yes
	Proximity reader bracket	yes	yes
	Ceiling Light	yes	yes
	Remote control (consoles / SW app for PC)	yes	yes
	Power supply backup	yes	yes
	Alternative housing material	RAL colour / stainless steel AISI 316	RAL colour / stainless steel AISI 316

* For more additional options see page 22



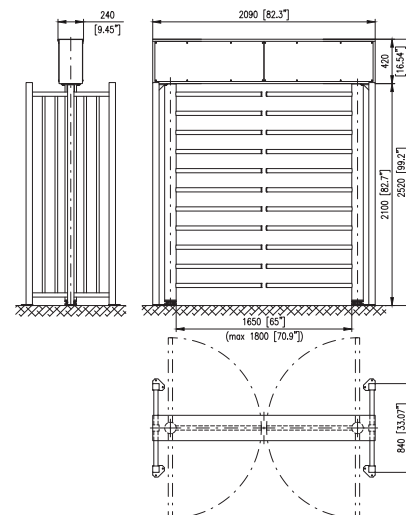
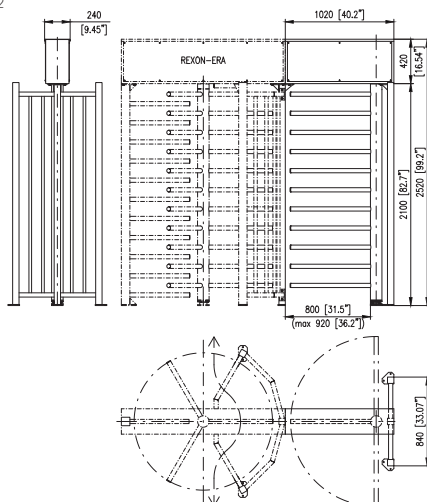
GATE ERA

GATE ERA DUO



Unit type		GATE ERA	GATE ERA DUO
Disabled access		yes	yes
Passage mode		bi-directional	bi-directional
Barrier type		11 straight bars Ø 40 mm / Ø 1.57" with black plastic covering caps	11 straight bars Ø 40 mm / Ø 1.57" with black plastic covering caps
Dimensions	Unit height	2 520 mm / 99.21"	2 520 mm / 99.21"
	Unit width	1 020 mm / 40.16"	2 090 mm / 82.28"
	Passage height	2 100 mm / 82.68"	2 100 mm / 82.68"
	Passage width	max. 920 mm / 36.22"	max. 1 800 mm / 70.87"
Surface finish	Frame	hot-dip zinc galvanized	hot-dip zinc galvanized
	Central column / bars	hot-dip zinc galvanized	hot-dip zinc galvanized
	Top panel	hot-dip zinc galvanized, powder coated finish in RAL 7040	hot-dip zinc galvanized, powder coated finish in RAL 7040
Power supply		13,8V DC / 24V AC / 120 V AC / 230 V AC	13,8V DC / 24V AC / 120 V AC / 230 V AC
Communication interface		RS485 / USB / Ethernet	RS485 / USB / Ethernet
Power loss motor setting		Fail-Safe / Fail-Lock	Fail-Safe / Fail-Lock
Installation environment		indoor / outdoor	indoor / outdoor
Options & accessories*			
Outdoor package (IP 65, -20°C to +50°C / -4°F to +122°F)		yes	yes
Extreme outdoor package (IP 65, -40°C to +60°C / -40°F to +140°F)		yes	yes
Go Call (visual passage confirmation)		no	no
Roof		yes	yes
Proximity reader bracket		yes	yes
Ceiling Light		yes	yes
Remote control (consoles / SW app for PC)		yes	yes
Power supply backup		yes	yes
Alternative housing material		RAL colour / stainless steel AISI 304 or AISI 316	RAL colour / stainless steel AISI 304 or AISI 316

* For more additional options see page 22



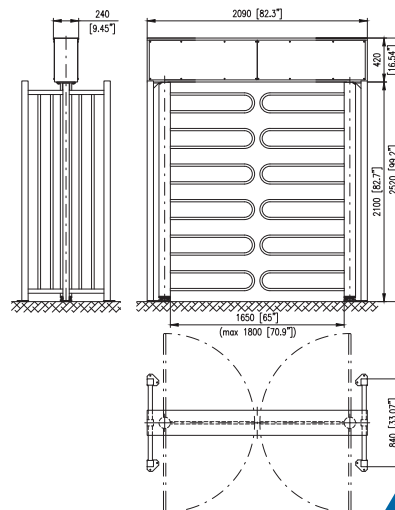
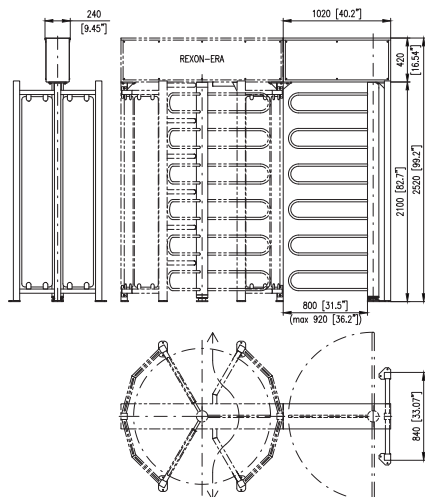
GATE ERA-U

GATE ERA DUO-U



Unit type	GATE ERA-U	GATE ERA DUO-U
Disabled access	yes	yes
Passage mode	bi-directional	bi-directional
Barrier type	6 trombone style bars Ø 22 mm / 0.87"	6 trombone style bars Ø 22 mm / 0.87"
Dimensions	Unit height	2 520 mm / 99.21"
	Unit width	1 020 mm / 40.16"
	Passage height	2 100 mm / 82.68"
	Passage width	max. 920 mm / 36.22"
Surface finish	Frame	hot-dip zinc galvanized
	Central column / bars	polished stainless steel
	Top panel	hot-dip zinc galvanized, powder coated finish in RAL 7040
Power supply	13,8V DC / 24V AC / 120 V AC / 230 V AC	13,8V DC / 24V AC / 120 V AC / 230 V AC
Communication interface	RS485 / USB / Ethernet	RS485 / USB / Ethernet
Power loss motor setting	Fail-Safe / Fail-Lock	Fail-Safe / Fail-Lock
Installation environment	indoor / outdoor	indoor / outdoor
Options & accessories*		
Outdoor package (IP 65, -20°C to +50°C / -4°F to +122°F)	yes	yes
Extreme outdoor package (IP 65, -40°C to +60°C / -40°F to +140°F)	yes	yes
Go Call (visual passage confirmation)	no	no
Roof	yes	yes
Proximity reader bracket	yes	yes
Ceiling Light	yes	yes
Remote control (consoles / SW app for PC)	yes	yes
Power supply backup	yes	yes
Alternative housing material	RAL colour / stainless steel AISI 304 or AISI 316	RAL colour / stainless steel AISI 304 or AISI 316

* For more additional options see page 22



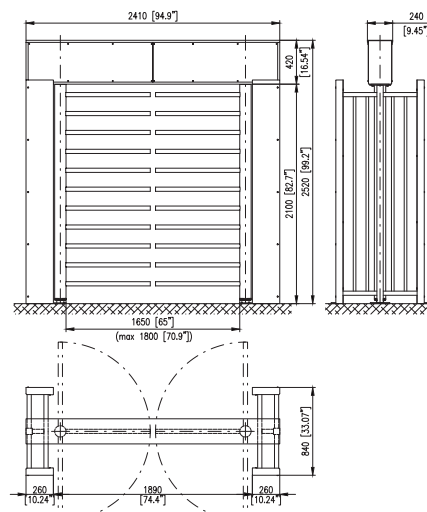
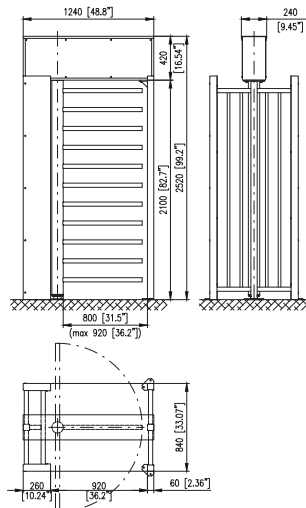
GATE ERA LE

GATE ERA DUO LE



Unit type		GATE ERA-LE	GATE ERA DUO-LE
Disabled access		yes	yes
Passage mode		bi-directional	bi-directional
Barrier type		11 straight bars Ø 40 mm / Ø 1.57" with black plastic covering caps	11 straight bars Ø 40 mm / Ø 1.57" with black plastic covering caps
Dimensions	Unit height	2 520 mm / 99.21"	2 520 mm / 99.21"
	Unit width	1 240 mm / 48.82"	2 410 mm / 94.88"
	Passage height	2 100 mm / 82.68"	2 100 mm / 82.68"
	Passage width	max. 920 mm / 36.22"	max. 1 800 mm / 70.87"
Surface finish	Frame	hot-dip zinc galvanized	hot-dip zinc galvanized
	Central column / bars / side panel	hot-dip zinc galvanized	hot-dip zinc galvanized
	Top panel	hot-dip zinc galvanized, powder coated finish in RAL 7040	hot-dip zinc galvanized, powder coated finish in RAL 7040
Power supply		13,8V DC / 24V AC / 120 V AC / 230 V AC	13,8V DC / 24V AC / 120 V AC / 230 V AC
Communication interface		RS485 / USB / Ethernet	RS485 / USB / Ethernet
Power loss motor setting		Fail-Safe / Fail-Lock	Fail-Safe / Fail-Lock
Installation environment		indoor / outdoor	indoor / outdoor
Options & accessories*			
Outdoor package (IP 65, -20°C to +50°C / -4°F to +122°F)		yes	yes
Extreme outdoor package (IP 65, -40°C to +60°C / -40°F to +140°F)		yes	yes
Go Call (visual passage confirmation)		no	no
Roof		yes	yes
Proximity reader bracket		yes	yes
Ceiling light		yes	yes
Remote control (consoles / SW app for PC)		yes	yes
Power supply backup		yes	yes
Alternative housing material		RAL colour / stainless steel AISI 304 or AISI 316	RAL colour / stainless steel AISI 304 or AISI 316

* For more additional options see page 22



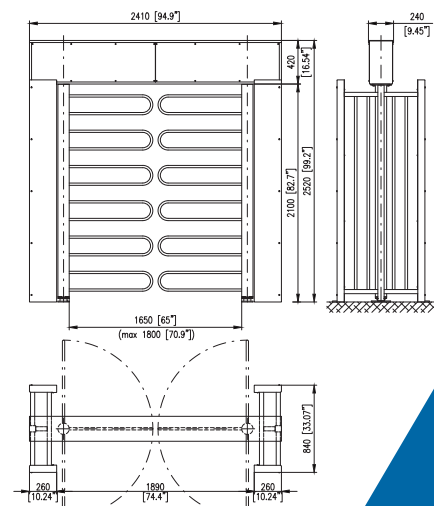
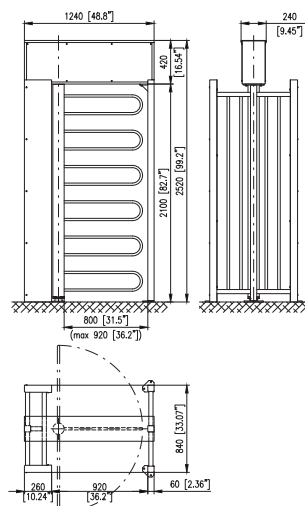
GATE ERA-LE-U

GATE ERA DUO-LE-U



Unit type		GATE ERA-LE-U	GATE ERA DUO-LE-U
Disabled access		yes	yes
Passage mode		bi-directional	bi-directional
Barrier type		6 trombone style bars Ø 22 mm / 0.87"	6 trombone style bars Ø 22 mm / 0.87"
Dimension	Unit height	2 520 mm / 99.21"	2 520 mm / 99.21"
	Unit width	1 240 mm / 48.82"	2 410 mm / 94.88"
	Passage height	2 100 mm / 82.68"	2 100 mm / 82.68"
	Passage width	max. 920 mm / 36.22"	max. 1 800 mm / 70.87"
Surface finish	Frame	hot-dip zinc galvanized	hot-dip zinc galvanized
	Central column / bars / side panel	polished stainless steel	polished stainless steel
	Top panel	hot-dip zinc galvanized, powder coated finish in RAL 7040	hot-dip zinc galvanized, powder coated finish in RAL 7040
Power supply		13,8V DC / 24V AC / 120 V AC / 230 V AC	13,8V DC / 24V AC / 120 V AC / 230 V AC
Communication interface		RS485 / USB / Ethernet	RS485 / USB / Ethernet
Power loss motor setting		Fail-Safe / Fail-Lock	Fail-Safe / Fail-Lock
Installation environment		indoor / outdoor	indoor / outdoor
Options & accessories*			
Outdoor package (IP 65, -20°C to +50°C / -4°F to +122°F)		yes	yes
Extreme outdoor package (IP 65, -40°C to +60°C / -40°F to +140°F)		yes	yes
Go Call (visual passage confirmation)		no	no
Roof		yes	yes
Proximity reader bracket		yes	yes
Ceiling Light		yes	yes
Remote control (consoles / SW app for PC)		yes	yes
Power supply backup		yes	yes
Alternative housing material		RAL colour / stainless steel AISI 304 or AISI 316	RAL colour / stainless steel AISI 304 or AISI 316

* For more additional options see page 22



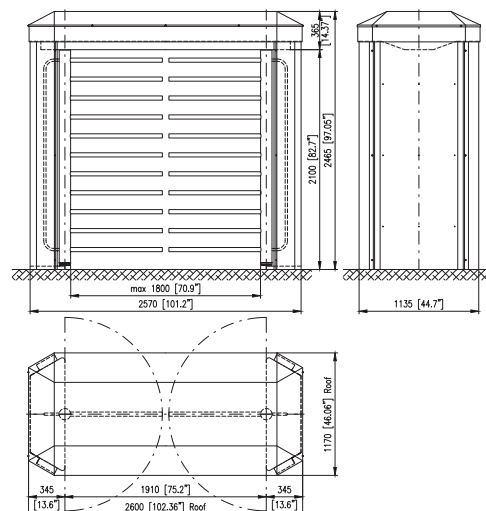
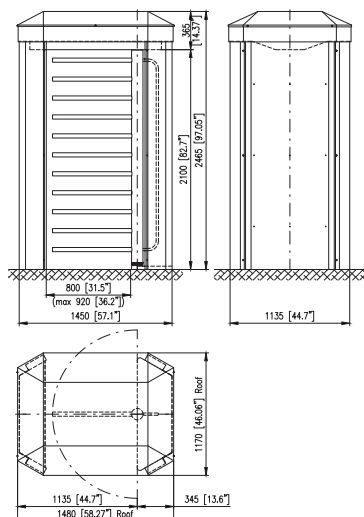
GATE DEA

GATE DEA DUO



Unit type		GATE DEA	GATE DEA DUO
Disabled access		yes	yes
Passage mode		bi-directional	bi-directional
Barrier type		11 straight bars Ø 40 mm / Ø 1.57" with black plastic covering caps	11 straight bars Ø 40 mm / Ø 1.57" with black plastic covering caps
Dimensions	Unit height	2 465 mm / 97.05"	2 465 mm / 97.05"
	Unit width	1 450 mm / 57.09"	2 570 mm / 101.18"
	Passage height	2 100 mm / 82.68"	2 100 mm / 82.68"
	Passage width	max. 920 mm / 36.22"	max. 1 800 mm / 70.87"
Surface finish	Roof / side panels	hot-dip zinc galvanized, powder coated finish in RAL colour per specs	hot-dip zinc galvanized, powder coated finish in RAL colour per specs
	Central column / bars	hot-dip zinc galvanized	hot-dip zinc galvanized
Power supply		13,8V DC / 24V AC / 120 V AC / 230 V AC	13,8V DC / 24V AC / 120 V AC / 230 V AC
Communication interface		RS485 / USB / Ethernet	RS485 / USB / Ethernet
Power loss motor setting		Fail-Safe / Fail-Lock	Fail-Safe / Fail-Lock
Installation environment		indoor / outdoor	indoor / outdoor
Options & accessories*			
Outdoor package (IP 65, -20°C to +50°C / -4°F to +122°F)		yes	yes
Extreme outdoor package (IP 65, -40°C to +60°C / -40°F to +140°F)		no	no
Go Call (visual passage confirmation)		no	no
Proximity reader bracket		yes	yes
Ceiling Light		yes	yes
Remote control (consoles / SW app for PC)		yes	yes
Power supply backup		yes	yes
Alternative housing material		RAL colour / stainless steel AISI 304 or AISI 316	RAL colour / stainless steel AISI 304 or AISI 316

* For more additional options see page 22



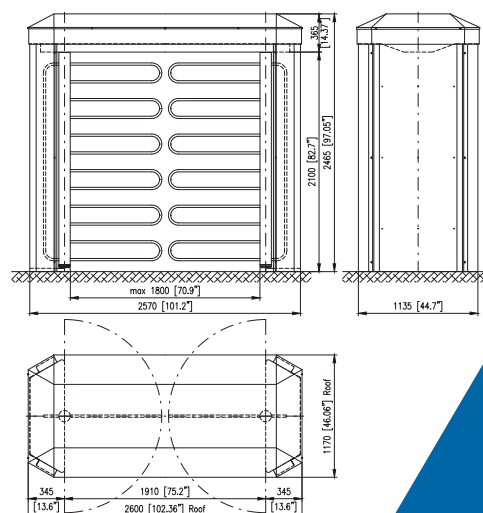
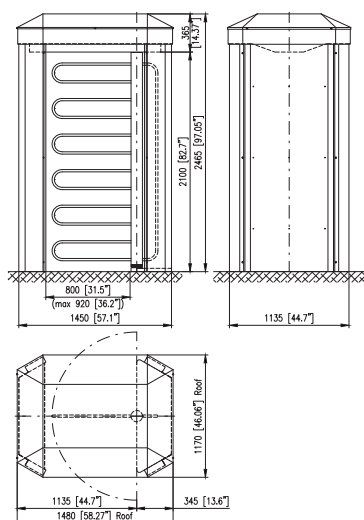
GATE DEA-U

GATE DEA DUO-U



Unit type		GATE DEA-U	GATE DEA DUO-U
Disabled access		yes	yes
Passage mode		bi-directional	bi-directional
Barrier type		6 trombone style bars Ø 22 mm / 0.87"	6 trombone style bars Ø 22 mm / 0.87"
Dimensions	Unit height	2 465 mm / 97.05"	2 465 mm / 97.05"
	Unit width	1 450 mm / 57.09"	2 570 mm / 101.18"
	Passage height	2 100 mm / 82.68"	2 100 mm / 82.68"
	Passage width	max. 920 mm / 36.22"	max. 1 800 mm / 70.87"
Surface finish	Roof / side panels	hot-dip zinc galvanized, powder coated finish in RAL colour per specs	hot-dip zinc galvanized, powder coated finish in RAL colour per specs
	Central column / bars	polished stainless steel	polished stainless steel
Power supply		13,8V DC / 24V AC / 120 V AC / 230 V AC	13,8V DC / 24V AC / 120 V AC / 230 V AC
Communication interface		RS485 / USB / Ethernet	RS-485 / USB / Ethernet
Power loss motor setting		Fail-Safe / Fail-Lock	Fail-Safe / Fail-Lock
Installation environment		indoor / outdoor	indoor / outdoor
Options & accessories*			
Outdoor package (IP 65, -20°C to +50°C / -4°F to +122°F)		yes	yes
Extreme outdoor package (IP 65, -40°C to +60°C / -40°F to +140°F)		no	no
Go Call (visual passage confirmation)		no	no
Proximity reader bracket		yes	yes
Ceiling Light		yes	yes
Remote control (consoles / SW app for PC)		yes	yes
Power supply backup		yes	yes
Alternative housing material		RAL colour / stainless steel AISI 304 or AISI 316	RAL colour / stainless steel AISI 304 or AISI 316

* For more additional options see page 22



OPTIONS & ACCESSORIES

TMON2 - software application design to remotely control full-height turnstiles and gates from a connected PC or workstation



Access Panel

access control light with integrated proximity reader bracket



RFID reader

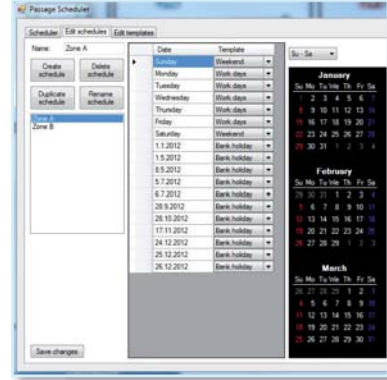
implementation of any RFID reader



EasyTouch - turnstile / gate remote control console with an intuitive graphical interface



Passage Scheduler - software planner that facilitates automatic and / or programmable mode changes to the turnstiles



Traffic Light Directional Panel - information panel (green arrow - GO, red cross - STOP)



Ceiling Light

provides a bright wide beam of light to illuminate the passageway



Touch Panel - self contained desk top remote controller of turnstile / gate



OPTIONS & ACCESSORIES

Heel protector - protector of straight bar arm made of black toughened rubber material



Ramp LT - (allows complete surface mounting of turnstiles)
low profile structural steel plates with non-slip surface suitable for painting or carpeting



Alternative material
large choice of RAL colour tones



REA::TICKET
MULTHD technology terminal for access control



Canopy LT - single version for REXON ERA / GATE ERA or duo version for REXON ERA DUO / GATE ERA DUO made from Aluminium frame and polycarbonate panels



Mounting frame
Console suitable for all REXON and GATE turnstile models



Inductive loop / controller - the system that detects the presence of a bicycle or a small motorbike in a passage lane

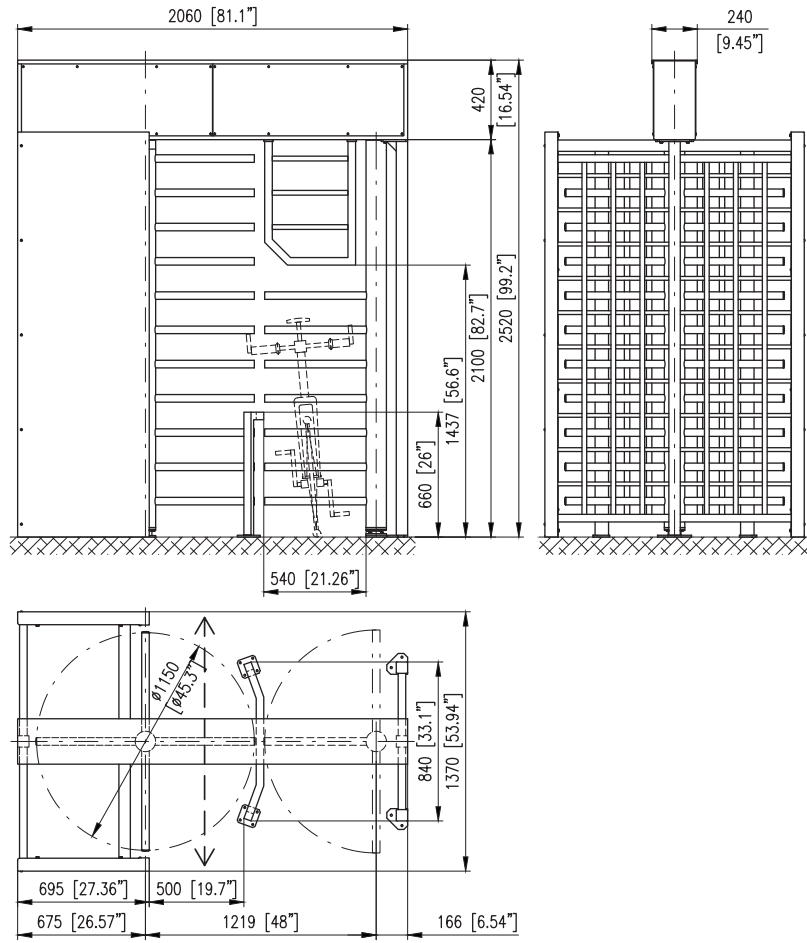


Extreme outdoor package - Special package for extreme weather conditions (only for ERA version)

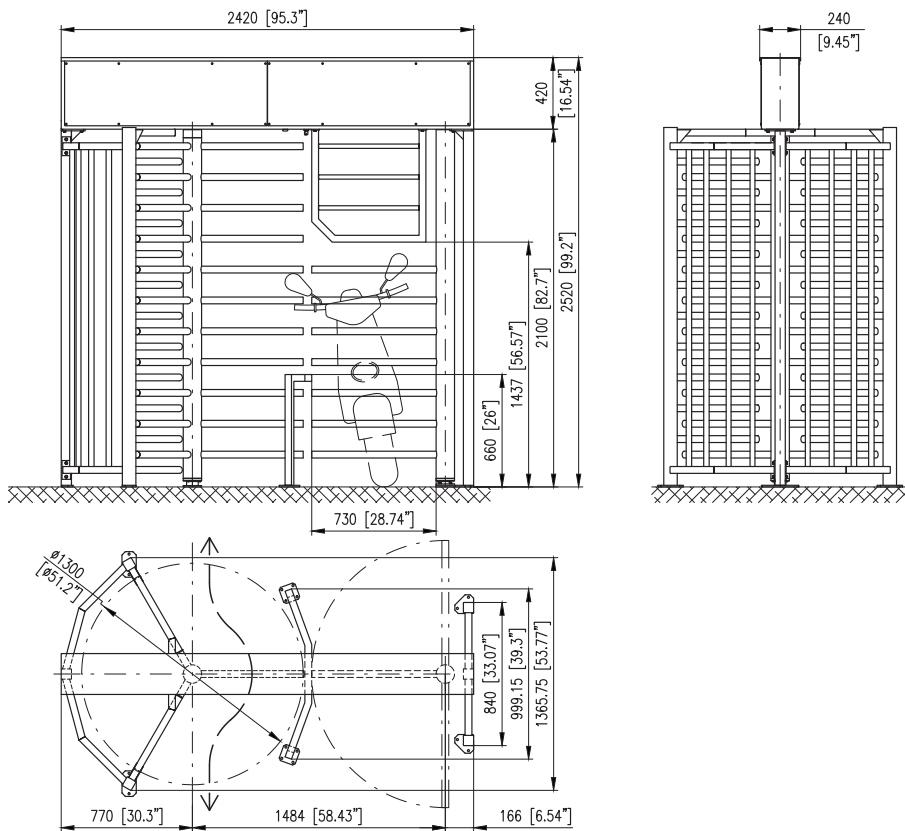


PROJECT DESIGN

REXON ERA 4-LE GATE-Bike



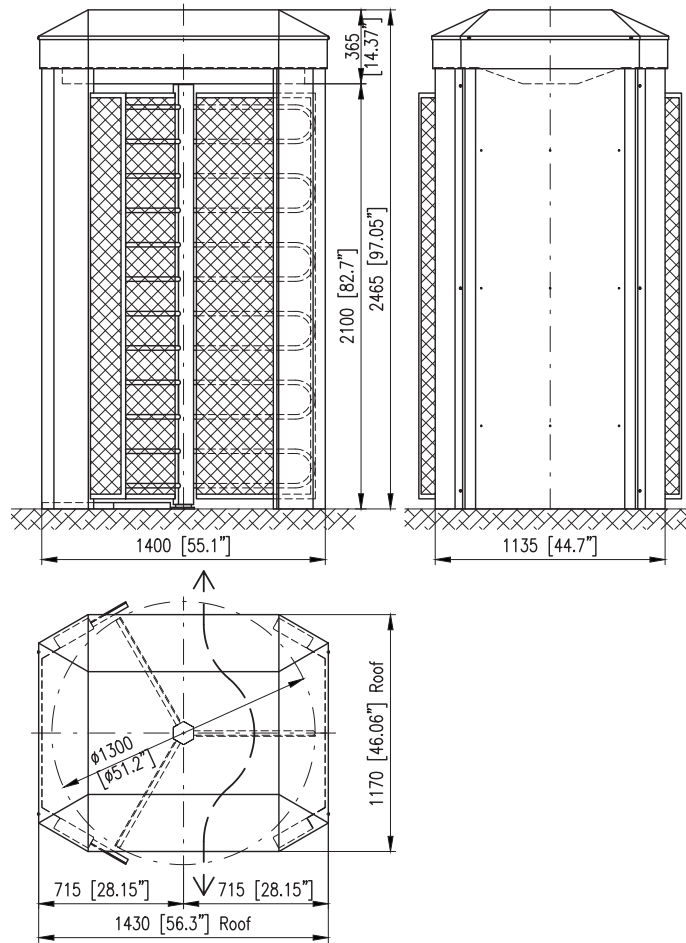
REXON ERA 3 GATE - Small motorbike



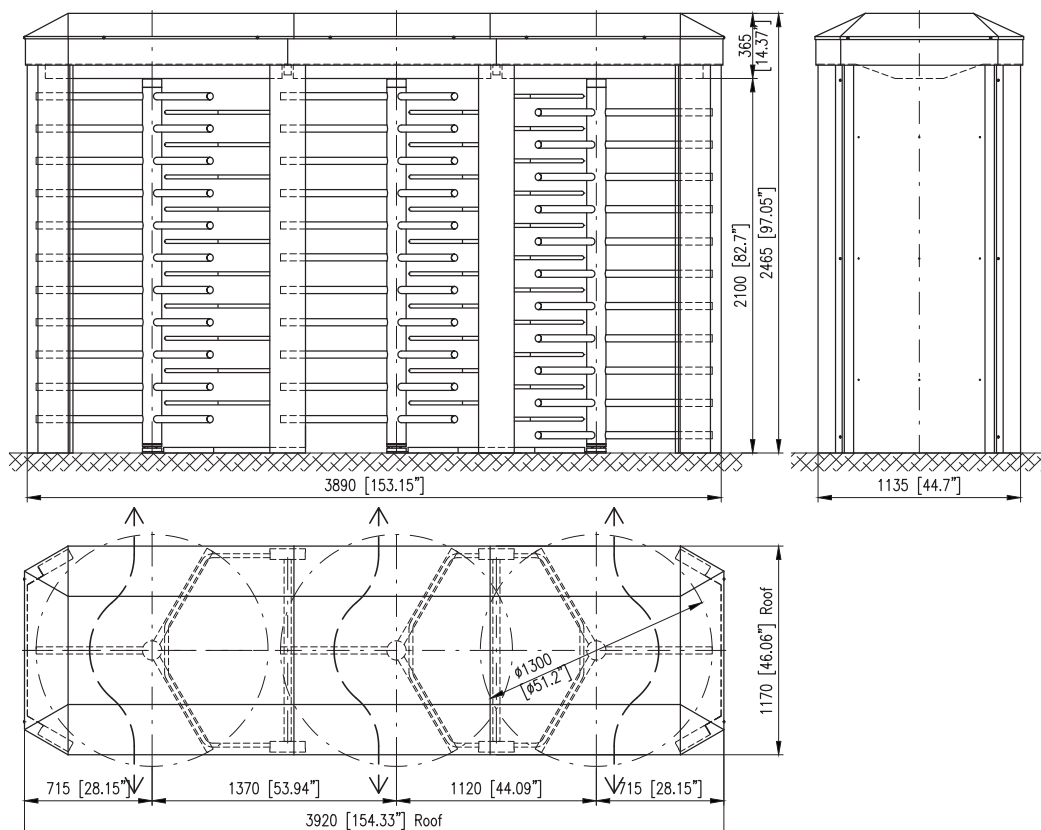
All dimensions in mm [inches].

PROJECT DESIGN

REXON DEA 3-NET



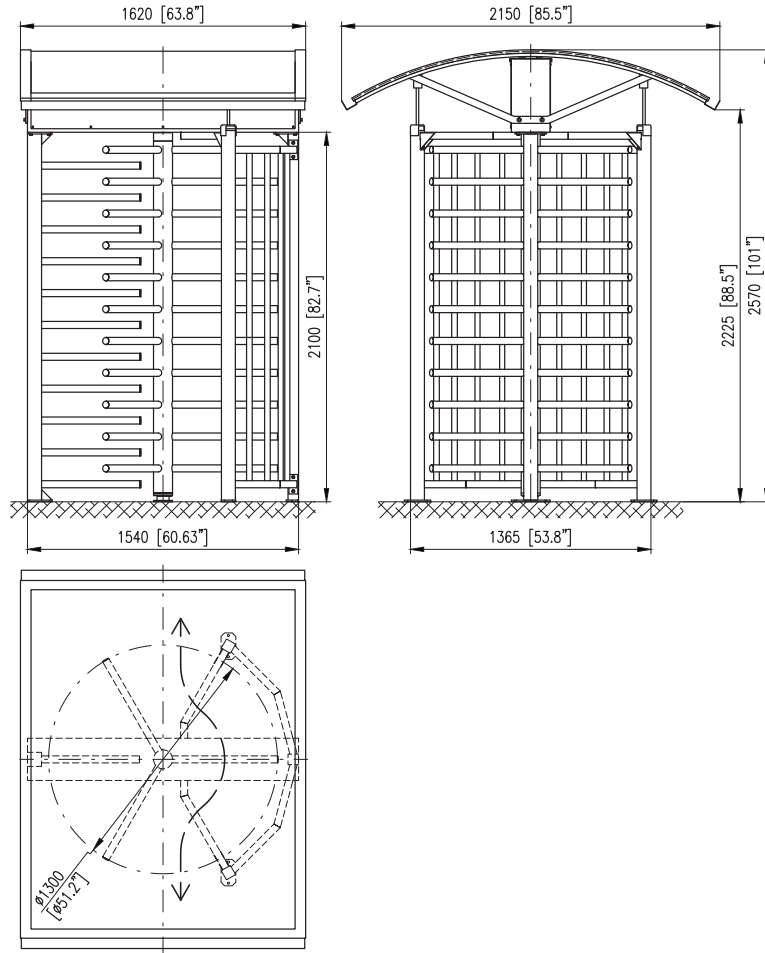
REXON DEA TRIO-3



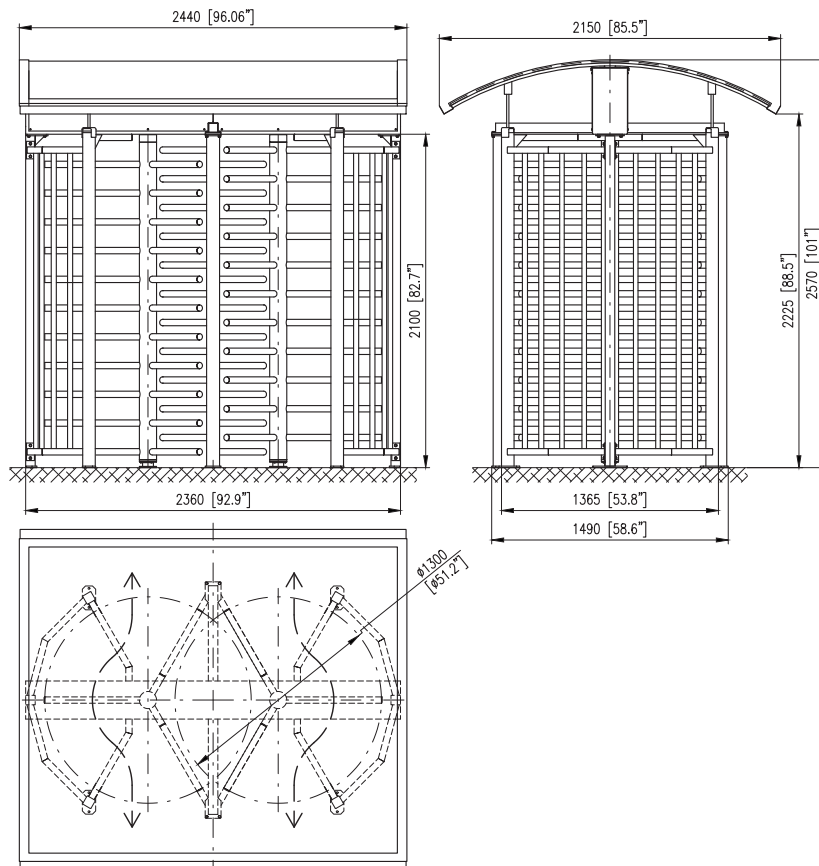
All dimensions in mm [inches].

PROJECT DESIGN

REXON ERA 3 + CUSTOMIZED ROOF



REXON ERA DUO 3 + CUSTOMIZED ROOF



All dimensions in mm [inches].

COMINFO INC.

Nabrezi 695
760 01, Zlin - Prstne
Czech Republic

tel.: +420 603 151 333

fax: +420 570 570 400
(fax machine only)

cominfo@cominfo.cz

www.cominfo-turnstile.com

