



**Two-way Wireless PGM
2WPGM (433/868MHz)
V1.1**

**Instructions
Instrucciones**



English

The 2WPGM is a two-way wireless PGM, which also provides one zone input. After assigning the PGM module to a system, the PGM can be programmed to activate and deactivate, as detailed in the system's programming guide. The Backup Alarm Reporting option allows you to supervise the presence of the Magellan console.

Location & Mounting

The 2WPGM must be installed within 35 m (115 ft.) of the control panel. Before you mount the 2WPGM, perform the signal strength tests to ensure optimal performance of the unit.

Do not cut, bend, or alter the antenna. Avoid mounting the PGM module near or on metal, as this may affect transmission.

Powering the Unit

The unit requires either AC or DC power input. For wire connections, see Figure 1.

AC: 6 Vac (500 mA) to 16.5 Vac (200 mA)
DC: 5 Vdc (500 mA) to 24 Vdc (200 mA)

The external power supply used with this module must be of an Approved/Certified type, acceptable to the authorities where the module is installed and used.

Signal Strength Test

To test the signal strength of the control panel with the 2WPGM:

1. Place the 2WPGM at the installation site.
2. Perform a transmission by pressing the anti-tamper switch or by opening the zone that is connected to the PGM.
3. Check the RSSI LED to see if it is flashing. To interpret the LED signal, see table 1.

If the signal strength is weak, move the unit to another location and test again. To test the signal strength of the 2WPGM at the control panel, see the control panel's programming guide.

To perform a signal strength of the 2WPGM through the control panel, the zone and/or PGM must be programmed in the console.

Jumper Settings

The jumper (JP1) determines the input setting of the zone. Refer to Figure 1 for the location of the jumper.

JP1 ON = Normally Closed (N.C.) zone (default)
JP1 OFF = Normally Open (N.O.) zone

You must set the jumper to match the wiring of the zone input. If the zone input is wired as N.O., the jumper must be OFF. Do not use EOL resistors with universal/zone inputs.

Table 1: LED Indicators

LED	Message
RX	Receiving information
TX	Sending information
RSSI	Indicates signal strength Flash twice Strong signal Flash once Weak signal No flash No signal
Relay	Indicates that the relay is ON

Back-up Alarm Reporting Option (MG6130 / MG6160)

This feature allows you to supervise the presence of the Magellan console. If enabled, a communication attempt between the console and the 2WPGM confirms their presence and functionality. If communication is not successful, the 2WPGM's relay automatically activates as per table 2. The relay will deactivate when communication with the console is restored.

Table 2: Communication Attempts

Status	Communication Confirmation	Failed attempts before activating relay
Entry delay	Every 15 seconds	3
In alarm	Every 15 seconds	3
Armed	Every 1 minute	3
Standby	Every 18-20 minutes	4

To enable Back-up Alarm Reporting:

1. In the console's Installer Quick Menu, select **4-SYSTEM SETUP** ⇒ **7-OUTPUT PROFILE**.
2. Select the output you would like to modify or add.
3. Using the **Next** key, scroll until you reach the **CONSOLE SUPERV?** option, and then press **OK**.

Follow Alarm / Bell Option (MG6130 / MG6160)

This feature allows you to set the PGM to activate following an alarm or bell. The 2WPGM's relay will deactivate after five minutes or when communication with the Magellan console is re-established.

In order for this feature to function, the 2WPGM must first be programmed to follow an alarm or bell.

1. In the console's Installer Quick Menu, select **4-SYSTEM SETUP** ⇒ **7-OUTPUT PROFILE**.
2. Select the output you would like to modify or add.
3. Using the **Next** key, scroll until you reach either the **FOLLOW BELL?** or **ALARM ACTIVATION** option, and then press **OK**.
4. Enable the **Follow Alarm/Follow Bell Console Supervision** option in the console (section [297] options [1] to [4]).

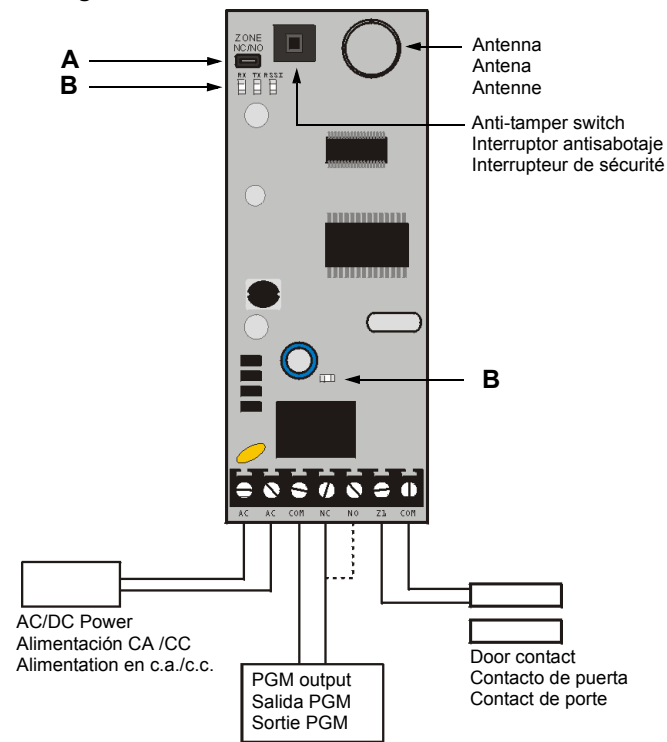
PGM Protection

Every minute that the PGM is activated, the 2WPGM will verify that the control panel is intact (unless the PGM is activated for a set length of time). If there is no response from the control panel, the 2WPGM will deactivate after 5 minutes, unless it receives an alternate command from the control panel.

Warranty

For complete warranty information on this product please refer to the Limited Warranty Statement found on the Web site www.paradox.com/terms. Your use of the Paradox product signifies your acceptance of all warranty terms and conditions. Magellan, Spectra SP, and EVO are trademarks or registered trademarks of Paradox Security Systems Ltd. or its affiliates in Canada, the United States and/or other countries. For the latest information on products approvals, such as UL and CE, please visit www.paradox.com. © 2012 Paradox Security Systems Ltd. All rights reserved. Specifications may change without prior notice. One or more of the following US patents may apply: 7046142, 6215399, 6111256, 6104319, 5920259, 5886632, 5721542, 5287111, 5119069, 5077549 and RE39406 and other pending patents may apply. Canadian and international patents may also apply.

Figure / Figura 1



- A Jumper / Puente / Cavalier**
- JP1 ON = Normally Closed (N.C.) zone
JP1 OFF = Normally Open (N.O.) zone
- JP1 ON = Zona Normal Cerrada (N.C.)
JP1 OFF = Zona Normal Abierta (N.A.)
- JP1 INSTALLÉ = zone normalement fermée (N.F.)
JP1 NON INSTALLÉ = zone normalement ouverte (N.O.)

- B LED Indicators - see table 1**
- Indicadores LED - ver la Tabla 1
- Voyants DEL - voir le Tableau 1

Technical Specifications	
Power Input	AC: 6 Vac (500 mA) to 16.5 Vac (200 mA) DC: 5 Vdc (500 mA) to 24 Vdc (200 mA)
RF Frequency	2WPGM: 433 MHz 2WPGM86: 868 MHz
Current Consumption	Relay ON: 45-160 mA Relay OFF: 6-20 mA
PGM	1 N.O./N.C. 5A, 28V relay
Relay's Maximum Voltage	60 Vdc/28 Vac
Anti-tamper Switch	Yes
Jumper Settings	ON: Normally Closed (N.C.) OFF: Normal Open (N.O.)
Operating Temperature	0°C to 50°C (32°F to 122°F)
Range	35 m (115 ft.) with MG6160 / MG6130 70 m (230 ft.) with MG5000 / MG5050 / RTX3
Compatibility	<ul style="list-style-type: none"> • Magellan consoles: MG-6060 (V1.2 or higher); MG6130; MG6160 • MG series: MG5000; MG5050 • Spectra SP series (used in conjunction with RTX3): SP5500, SP6000, and SP7000 only • EVO series: EVO48; EVO192
Dimensions	12.5 cm x 4.6 cm x 2.5 cm (4.9 in. x 1.8 in. x 1.0 in.)
Certification (i.e., CE, UL)	For updated information, visit www.paradox.com

