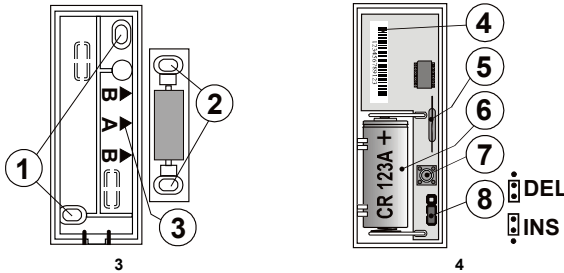
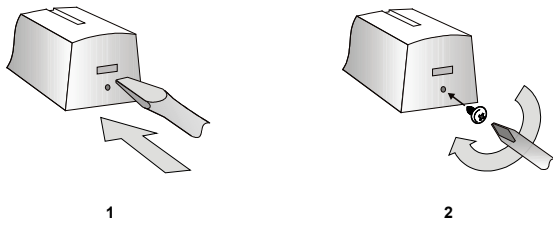
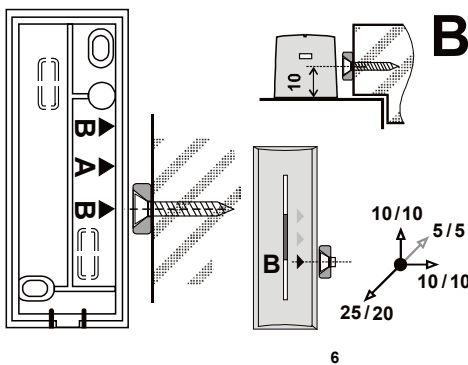
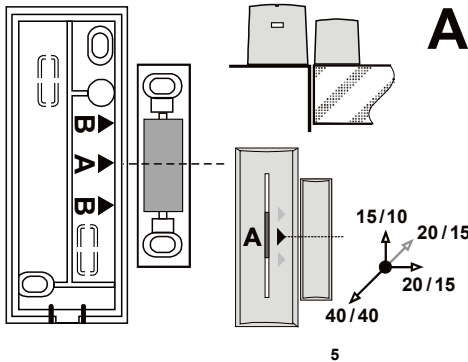


JA-83M Wireless magnetic door detector



1. mounting holes of the detector; 2. mounting holes of the magnet A, 3. magnet A and B position marks; 4. serial number; 5. red contact; 6. battery CR123A; 7. tamper; 8. settings jumper



The JA-83M is a component of Jablotron's Oasis alarm system. It is designed to detect the opening of doors, windows etc. The battery-powered detector communicates via OASIS radio protocol.

Installation

Installation shall only be undertaken by technicians holding a certificate issued by an authorized distributor.

Choose the suitable place for detector's installation. The detector reacts to the removal of its magnet unit. The electronics should be installed onto the non-moving part of windows or doors, and the magnet onto the moving part. Avoid locating it directly on a metal frame as metal influences the functioning of the magnetic sensor and radio communication.

1. Open the detector cover by pressing the tab in. (fig. 1)
2. Screw the rear cover to the solid part of the door/window. The marks A and B show the right position of the magnet. (fig. 3)
3. Attach the magnet to the moving part of the window. The standard magnet in a plastic housing opposite the A arrow and the whorl shape magnet against the B arrow. Its distance from the detector should be as small as possible when the door/window is closed. In the picture fig. 5 and fig. 6 are shown the reaction areas for magnets in millimeters in three axes of movement and on the non-magnetic / magnetic

surface. *Note: Use the supplied plastic part to compensate the possible height difference for magnet A.*

4. Enroll the detector into the control panel (receiver). Check its manual for more info. The enrollment signal is transmitted when the battery is inserted. *Note: To enroll a detector after having already connected a battery, first disconnect the battery, and press and release the tamper sensor to discharge any remaining charge to get the device ready for enrolment.*
5. Set the detector's reaction See settings chapter.
6. Mount the front cover onto the rear part
7. Test the detector's function.
8. The tab can be fixed using supplied screw (fig. 2).

Settings

The DEL position of the jumper provides entrance & exit delays for detectors installed in a building entrance. INS position allows the detector to instantly trigger alarm activation if the control panel is armed. *Note: This DIP switch (INS/DEL) only has an effect if the detector has a natural reaction assigned to its address in the Oasis control panel. It also has no effect when used with a UC-8x or AC-8x receiver.*

The detector has two different modes. The mode is indicated by one or two short flash when the battery is inserted.

One flash means that it indicates both opening and closing the door or window. The control panel knows the status of doors / windows. Two flashes means the pulse mode in which the detector indicates only opening the door or window.

The mode can be set (changed) when keeping the tamper switch pressed while installing the battery for 3 to 5 seconds.

Testing the detector

15 minutes after closing the detector cover, the LED indicates detector triggering. The strength and quality of detector signals can be measured by the control panel in Service mode.

Battery replacement

The detector monitors its battery voltage and if too low, a report is sent to the control panel to inform the installer or user. The detector continues to function and shows each triggering of the detector with a flash of its LED. Battery replacement should not be delayed by more than two weeks. This should be done by a qualified technician with the control panel in Service mode.

Note: If a partly discharged battery is inserted then the LED start flashing for one minute. Then the detector will work but the Lo Bat signal will be send to the control panel. Expired batteries should not be thrown into the garbage, but disposed of according to local regulations.

Removing the detector from the system

If a detector is removed, the control panel reports the removal. The detector has to be deleted in the control panel before intentional removal.

Technical parameters

Voltage:	Lithium battery type CR123A (3.0 V / 1.4 Ah)
	Please note: Battery is not included
Typ. battery lifetime:	approx. 3 years for max.20 daily activations
Communication band:	868,5 MHz, Oasis protocol
Communication range:	approx. 300 m (open area)
Typical sensitivity range:	see fig. 5 and fig. 6
Dimensions:	transmitter part 75 x 31 x 23 mm
	A magnet: 56 x 16 x 15 mm, B magnet: Ø10 x 4 mm
Operational environment according to EN 50131-1:	II. Indoor general
	-10 to +40 °C
Operational temperature range:	grade 2
Classification:	according to: EN 50131-1, EN 50131-2-6, EN 50131-5-3
Complies with:	ETSI EN 300220, EN 50130-4, EN 55022, and EN 60950-1
Can be operated according to:	ERC REC 70-03



JABLOTRON ALARMS a.s. hereby declares that the JA-83M is in a compliance with the relevant Union harmonisation legislation: Directives No: 2014/53/EU, 2014/35/EU, 2014/30/EU, 2011/65/EU. The original of the conformity assessment can be found at www.jablotron.com - Section Downloads.

Note: Although this product does not contain any harmful materials we suggest you return the product to the dealer or directly to the producer after use.

JABLOTRON
CREATING ALARMS
JABLOTRON ALARMS a.s.
Pod Skalkou 4567/33
46601 Jablonec nad Nisou
Czech Republic
Tel.: +420 483 559 911
Fax: +420 483 559 993
Internet: www.jablotron.com