

The JA-110F digital bus flood detector

The JA-110F is a component of the **JABLOTRON 100** system. The detector serves for the indication of a room being flooded with water (cellar, bathroom).

It has a status reaction (it reports its activation = flooding of electrodes, and deactivation = a water level drop). The detector is powered directly from a bus. The detector should be installed by a trained technician with a valid certificate issued by an authorized distributor.

Installation

The detector has been designed to detect flooding and it is therefore not intended for permanent submersion under the surface of water. It is not suitable for the detection of flooding by aggressive liquids, e.g. in a wastewater tank.

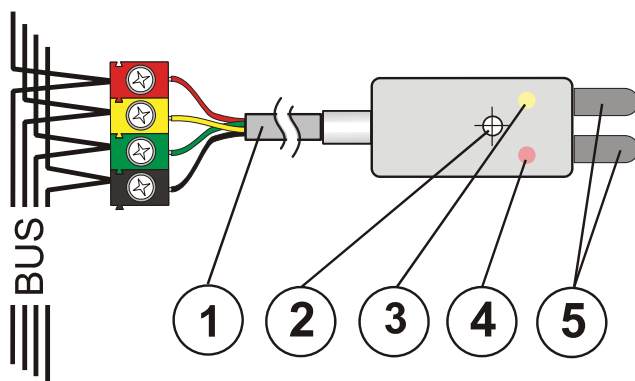


Figure: 1 – bus connector; 2 – installation hole \varnothing 3.1 mm; 3 – yellow LED fault indicator; 4 – red LED activation indicator; 5 – detection electrodes; (indicators 3 and 4 are under the cover)

1. Select a suitable place to install the detector and a place for a bus terminal or JA-110T bus insulator if required. The JA-190PL mounting box can be used to install the bus terminal.
2. Connect the bus cable to the terminals (1).



When connecting the detector to the system bus, always switch the power off.

If the detector is installed outside the protected area, a JA-110T bus insulator should be used.

3. Proceed according to the control panel installation manual. Basic procedure:
 - a. When the detector is switched on, the yellow LED (3) starts flashing repeatedly to indicate that it has not been enrolled to the system.
 - b. Go to the **F-Link** program, select the required position in the **Devices** window and launch the enrollment mode by clicking on the **Enroll** option.
 - c. Interconnect the detection electrodes (5) for a short time – the detector is thus enrolled and the yellow LED (3) goes off.

Setting the detector properties

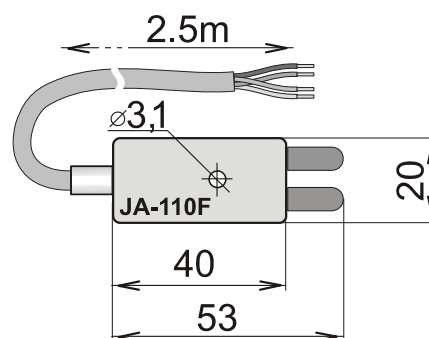
Go to the **Devices** window in the F-Link program. When you are at the detector position, use the **Internal settings** option to open a dialog window where you can set:

LED indication during communication: enables the user to switch off the red LED indicating both detector activation and deactivation by short flashes. The indication is always active in service mode.

Inverted input reaction: the default setting is that the system reacts to an interconnection of electrodes (flooding event). An inverted reaction can also be used.

Input reaction delay: a time filter increasing false alarm immunity. Time setting between 0.5 s ... 300s defines how long the detection electrodes must remain interconnected to trigger an alarm in the control panel.

Alarm indication: If enabled, the red LED (4) continues to indicate flooding with two short flashes even when the water level has dropped and the two electrodes are no longer interconnected. The flashing continues until the indication is cancelled by the control panel (by setting the alarm again, disabling the indication in the menu or entering the service mode).



Technical specifications

Power	from control panel digital bus 12 V (9...15 V)
Current consumption in standby mode	5 mA
Current consumption for cable selection	5 mA
Detector	reacts to flooding by water
Dimensions	53 x 20 x 10 mm
Operational environment according to EN 50131-1	II Indoor general
Operating temperature range	-10 to 40°C
Also complies with	EN 50130-4, EN 55022



JABLOTRON ALARMS a.s. hereby declares that the JA-110F flood detector is in compliance with the essential requirements and other relevant provisions of Directive 2004/108/EC. The original of the conformity assessment can be found at www.jablotron.com - Technical Support section



Note: Although this product does not contain any harmful materials we suggest you return the product to the dealer or directly to the producer after use. For more detailed information visit www.jablotron.com.