

The JA-110R 80 Bus module for one-way wireless JA-80 devices

The product is a component of the **JABLOTRON JA-100** system. It can be used to communicate with wireless devices of JA-80 Oasis. JA-110R 80 provides upgrade of the wireless JA-80 system to JABLOTRON 100 while using some of the original one-way communicating devices (detectors, for example). Radio module JA-110R 80 can be combined with JA-11xR modules which communicate with JABLOTRON 100 components (e.g. keypads, sirens, photo PIR and such like). The device should be installed by a trained technician with a valid certificate issued by an authorized distributor.

Installation

Install the module on a suitable spot in the building where wireless communication would not be affected. Don't install the module in the control panel (for the best result distance of at least 2 meters away from the control panel is recommended). If it's necessary to install the module nearby larger metal items, electric devices or cabling keep the minimal installation distance of 2 meters. In case the system uses multiple radio modules, they must not be placed close to each other. Recommended distances:

- At least 10 meters in open space
- In a built-up space, at least 5 meters through a wooden or plasterboard wall
- In a built-up space with walls from other materials (such as bricks), the radio modules must be separated from each other by a wall.

The JA-110R 80 module takes 1 of 3 positions reserved for radio modules.

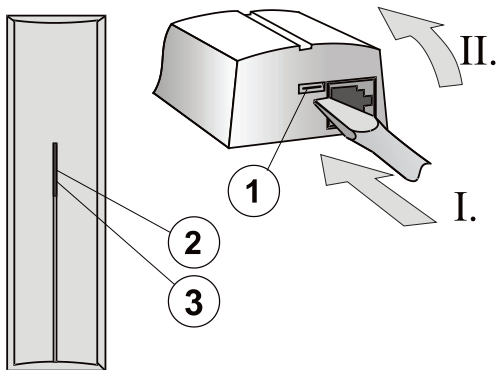


Figure: 1 – cover tab; 2 – yellow fault indicator; 3 – red communication indicator

1. **Open the cover** (by pushing the tab - 1).
2. Prepare the bus cable inlet and attach the plastic base to the selected place with screws (vertical orientation is recommended).

When connecting the module to the bus, always switch the power off.



In order for the module to comply with the Grade 2 norm, use the “Perform EN50131-1, gr.2” button in the Parameters tab (see the JA-10xK control panel manual).

3. Connect the bus cable to the terminals. The cable must not interfere with the antenna space.
4. Proceed according to the control panel installation manual. Basic procedure:
 - a. When the device is switched on, the yellow LED starts flashing repeatedly to indicate that the module has not been enrolled into the system.
 - b. Go to the **F-Link** program, select the required position in the **Devices** window and launch the **Enrollment mode** by clicking on the **Enroll** option.
 - c. Click on **Scan/add new BUS devices**, select the JA-110R 80 module and double-click on it to enrol it - the yellow LED indicator (2) will shut down.
5. Close the module cover.
6. From this moment you can start enrolling one-way JA-80 Oasis devices in the system. List of supported devices is in the Table 1.

Notes:

The radio module can also be enrolled in **Enrollment mode** by opening / closing its plastic cover.

The detector can also be enrolled to the system by entering its production code (5) in F-link. All numbers stated under the bar code shall be entered (example: 1400-00-0000-0001).

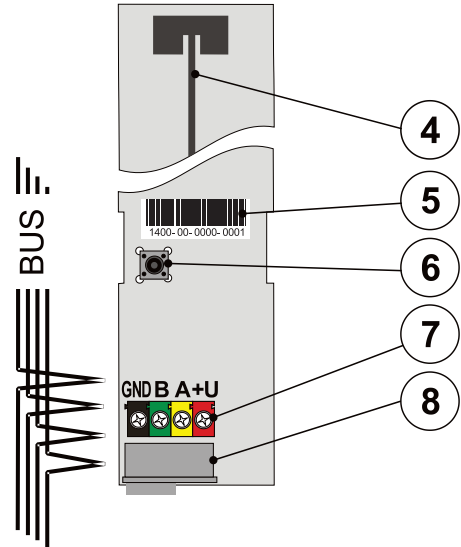


Figure: 4 – antenna; 5 – production code; 6 – tamper contact; 7 – bus terminals; 8 – bus connector - do not use!

Module properties settings

Go to the **Devices** window in the F-Link program. When you are on the module position, use the **Internal settings** option to open a dialog window where you can set:

LED indication during communication: The default setting is that the module indicates communication with wireless detectors with a red LED light. This indication can be disabled.

Interference detection: It is **Disabled** as a default. However, it can be set to two levels – **low** (interference lasts longer than 30s per one minute) and **high** (interference lasts longer than 10s per 20s). When the detection is enabled, the system is able to report communication band **interference**.

Supported	Unsupported
Detectors JA-8x	Keypads JA-8xF
Remote controls RC-8x	Photo PIR JA-84P
	Signal repeater JA-80Z
	Sirens JA-80x
	Thermostats TP-xx
	Output modules AC-8x a UC-82
	Control panels JA-8xK

Table 1 – supported and unsupported devices

Technical specifications

Power	from control panel digital bus 12 V (9...15 V)
Current consumption in standby mode	25 mA
Current consumption for cable selection	25 mA
Radio communication frequency (receiver)	868.5 MHz
Dimensions	150 x 40 x 23 mm
Weight	65 g
Classification	Security grade 2/Environmental class II
- according to	EN 50131-1, EN 50131-3, EN 50131-5-3
- operational environment	indoor general
- operating temperature range	-10 to +40°C
- average operational humidity	75% RH without condensation
- certification body	Trezor Test s.r.o. (č. 3025)
Also complies with	ETSI EN 300 220, EN 50130-4 EN 55022, EN 60950-1
Can be operated according to	ERC REC 70-03



JABLOTRON ALARMS a.s. hereby declares that the JA-110R 80 module is in compliance with the essential requirements and other relevant provisions of Directive 1999/5/EC and (EU) no 65/2011. The original of the conformity assessment can be found at www.jablotron.com, Technical Support section



Note: Although this product does not contain any harmful materials we suggest you return the product to the dealer or directly to the producer after use. For more detailed information visit www.jablotron.com.