

DH-PFB200C

In-ceiling Mount Bracket



Features

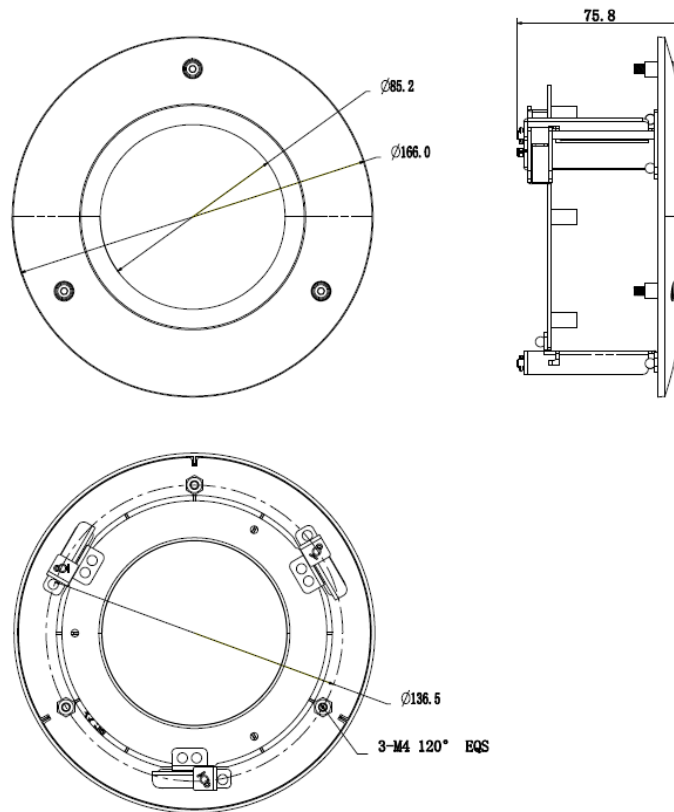
- Material: SECC & PC
- Junction Box
- Neat & Integrated design

Specifications

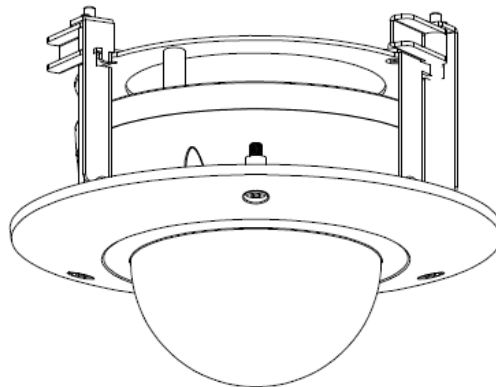
Model	DH-PFB200C
General	
Material	SECC & PC
Dimension	Φ166.0x75.8mm
Inch Thread	G3/4"
Operating Temperature	-40°C ~60°C
Humidity	0~90% RH
Load Bearing	1.0Kg
Weight	0.32Kg
Color	White
Applicable Model	Please see "Accessory Selection"

DH-PFB200C

Dimensions (mm)



Application



Dahua Technology Co., Ltd.

1199 BinAn Road, Binjiang District, Hangzhou, China

Tel: +86-571-87688883

Fax: +86-571-87688815

Email: overseas@dahuatech.com

www.dahuasecurity.com

*Design and specifications are subject to change without notice.

© 2014 Dahua Technology Co., Ltd.