

VTO2000A Series

IP Module Outdoor Station



Features

- 1.3 MP CMOS camera, support wide angle
- Stainless steel panel, support vandal proof
- Support different modules integration (Buttons/Password/Card)
- Support unlock remotely
- Support visitor leaving audio and video message
- Flush mounted & Surface mounted
- IP54, IK07

Specifications

| Model | | VTO2000A-C |
|----------------|------------------------|----------------------------|
| System | Main Process | Embedded micro controller |
| | OS | Embedded Linux os |
| Video | Video Compression | H.264 |
| | Input/Sensor | Megapixel CMOS HD camera |
| | Night Vision | Support |
| Audio | Input | Omnidirectional Mic |
| | Output | Built-in speaker |
| | Talk | Support bidirectional talk |
| Operation Mode | Input | Single key input |
| | Door Lock Status Check | Support (optional) |
| Structure and | Material | Stainless steal |

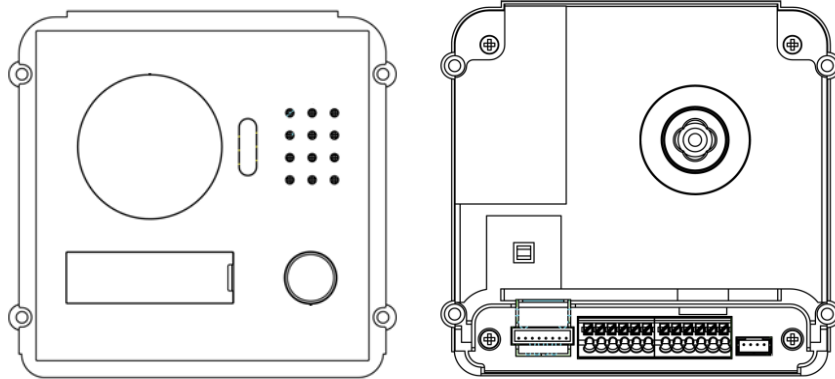
VTO2000A Series

| | | |
|---------------------|----------------------------|---|
| Installation | Installation | Direct, embedded |
| Protection | Protection Level | IK07 |
| | Waterproof | IP54 |
| | Vandal-proof | Support |
| Network | Ethernet | 10M/100Mbps self-adaptive |
| | Network Protocol | TCP/IP |
| | Waterproof | IP54 |
| | Vandal-proof | Support |
| General | Power | DC 12V~24V±10% |
| | Consumption | Standby≤1W; working≤10W |
| | Working Temperature | - 40℃~+70℃ |
| | Relative Humidity | 10%~95%RH |
| | Dimension (L×W×H) | 110.7mm×118.1mm×42.3mm (lends cover included) |
| | Weight | 0.36kg |

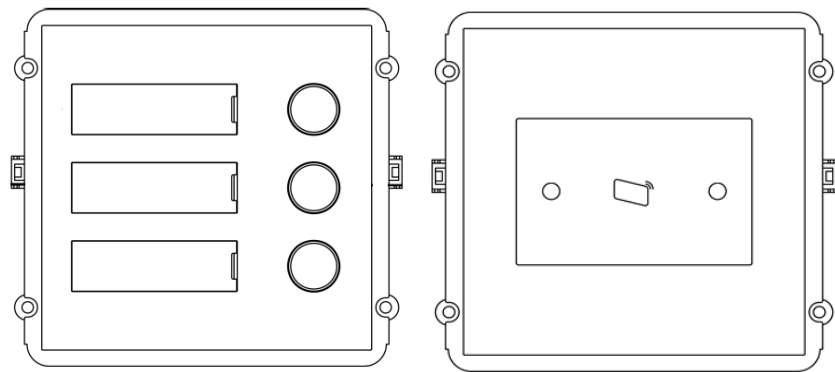
| Model | | VTO2000A-B | VTO2000A-R | VTO2000A-K |
|-------------------------|----------------------------|--------------------------------|------------------------------|----------------------------------|
| Proximity Sensor | | Not support | Support | Not support |
| General | Consumption | Standby ≤0.1 working ≤0.45W | Standby≤0.3W working≤0.3W | Standby≤0.1W working≤0.45W |
| | Working Temperature | - 40℃~+70℃ | | |
| | Relative Humidity | 10%~95%RH | | |
| | Dimension | 110mm×120mm×24.9mm(L×W×H) | | 110mm×120mm×29mm m (L×W×H) |
| | Weight | 0.27kg | | 0.32kg |

VTO2000A Series

Appearance

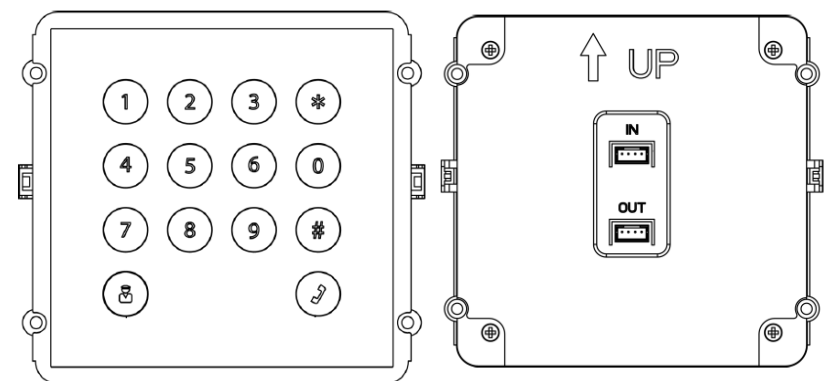


VTO2000A-C Front panel and rear panel



VTO2000A-B

VTO2000A-R

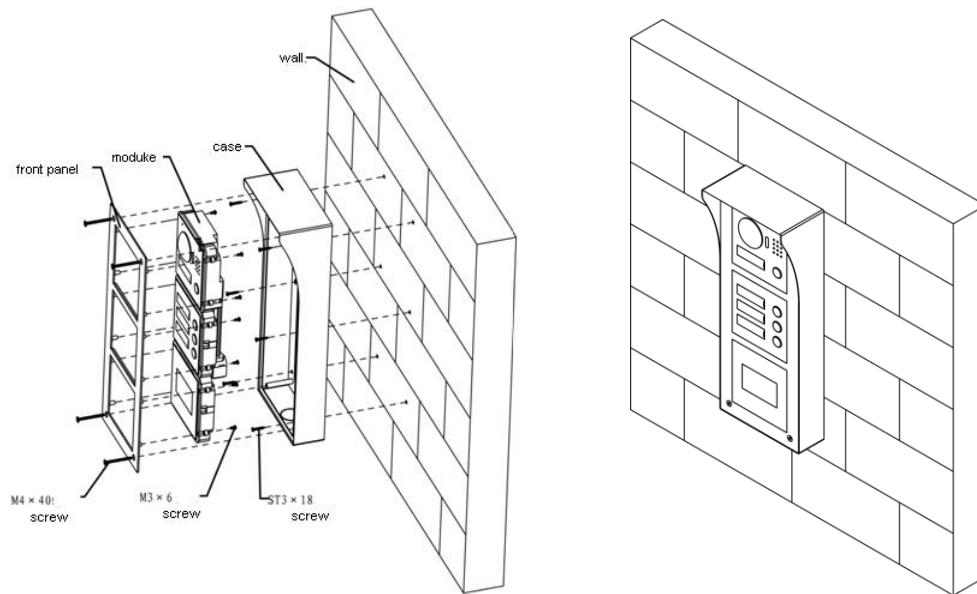


VTO2000A-K

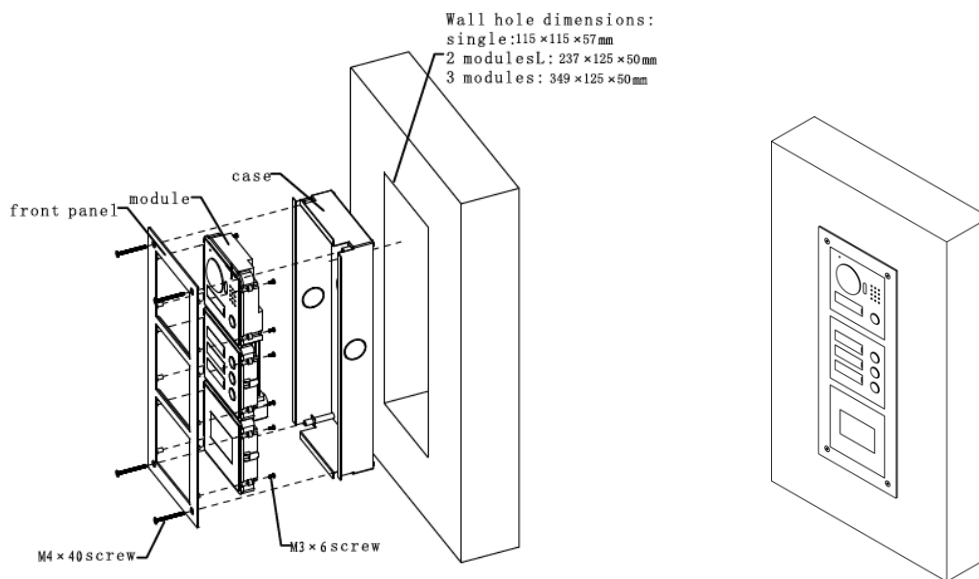
Rear panel

VTO2000A Series

Installation



Surface mounted



Flush mounted

Dahua Technology Co., Ltd.

1199 Bin An Road, Binjiang District, Hangzhou, China

Tel: +86-571-87688883

Fax: +86-571-87688815

Email: overseas@dahuatech.com

www.dahuatech.com