



ROGER TECHNOLOGY

- THE COMPANY 4
- MISSION 6
- QUALITY AND TECHNOLOGY 6
- ROGER ERGONOMICS 6
- CONSTRUCTION PHILOSOPHY 7

SLIDING

- E30 10
- M30 14
- H30 18
- R30 22
- G30 26

SWING

- R20 32
- G20 34
- H20 38
- M20 42
- R23 46
- H23 50
- G23 54
- R21 58
- R21 62

SECTIONAL DOORS

- H40 68
- R40 70
- M40 74
- G40 78
- G40 82

OVERHEAD DOORS

- R41 86
- R41 88

KIT

- SLIDING 30
- SWING 66

CONTROL UNITS

- H70/103 AC 92
- H70/200AC 94
- H70/200AC 96

REMOTE CONTROL

- R80 98
- R80 100
- H80 102
- G80 104
- M80 106

ELECTRONIC

- R90 108
- R90 110
- R92/R91 112
- R93 114

CONNECTION SYSTEMS

- CONTROL UNITS 116
- RADIO RECEIVERS 120

GENERAL CONDITIONS

- SALES AND GUARANTEE 122

Company



2000
Mogliano V.to - Treviso - ITALIA

1975
Start-up



2004
Production



AUTOMATION IN MOVEMENT

Welcome to the world of advanced automation, where every day you are surrounded by high tech and research...this is the world of ROGER TECHNOLOGY.

INNOVATION IS OUR PHILOSOPHY

High technology and research applied to automation. You have entered the world of Roger Technology, where rapid, dynamic professional development has allowed the company to become one of the main leaders in the market of automatic systems for gates, doors and entrances. In the past, the company supplied leading brands on the European market with excellent complete electric motors with every production cycle, now Roger Technology is responsible for the complete design of the product. Today the company carries out advanced production in which every phase has the same attention to detail: from selection in the design phase to research into the most sophisticated technology, with raw materials chosen to last over time and a commitment to maintaining high standards of quality.

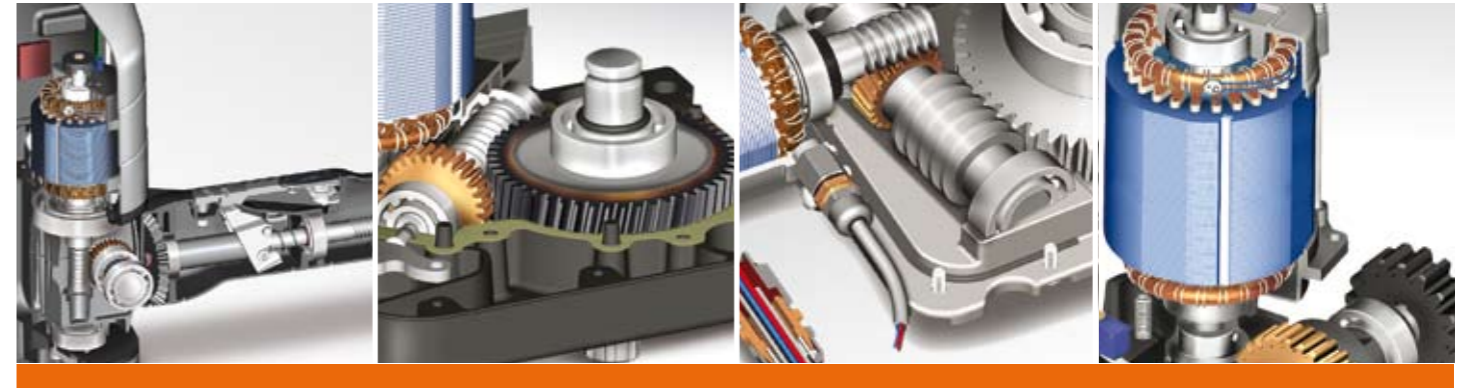
ALWAYS CREATING NEW DESIGNS

Minds that conceive ideas, and hands ready to develop designs. Study produces designs that satisfy many needs, technology produces patented electrical solutions for automatic doors and gates. Roger Technology looks to the future through constant research into increasingly efficient solutions, with the use of new materials developed according to environmental and safety requirements.

Brothers: *Dino, Primo, Renzo Florian*



 Roger Security



OUR MISSION IS TO LOOK BEYOND DESIGN

The nerve-centre of the company is the place where Roger Technology projects are developed. These are the result of an expert phase of research and study that gives our clients products available world-wide. Intelligent products, that are beautiful outside and great inside.

QUALITY AND TECHNOLOGY

Quality, safety, duration and research. Only a product with these criteria can be considered an product Roger Technology, the result of serious investment in expert professional figures, careful research into purchasing selected raw materials and guaranteed compliance with safety regulations.

ROGER ERGONOMICS

Safety first. Every Roger Technology's design is studied to assess the problems linked to safety regulations and adaptation. In-house tests allow the company to check and guarantee all mechanical movements and the motor's resistance to temperature changes, while the automatic systems are created taking into consideration a wide variety of needs in terms of gates or doors, size and functional requirements.

SAFE CONNECTIONS

Every connection we design rotates around a motor. Eleven ball bearings guarantee precise, safe movement. The worm screw gear is entirely created from a single steel bar. The absence of joints, guarantees a great deal of rigidity and total transmission of force.

TEMPERED STEEL

The gear that is most used undergoes a special heat treatment to make it stronger and more resistant. Worm screw gear in special steel with a super finish and strengthened thread. The movement transmission comes from a splined shaft with a profile UNI 221, that ensures excellent mechanical coupling.

ALUMINIUM WITH TITANIUM

Controlled titanium fusion allows us to obtain very compact pieces with greater water-resistance. Steel and brass cable gland sealed with epoxy resin. The main 150 mm diameter gear is made of spheroidal graphite cast iron which allows even the most heavy duty use. Even little things are important: all the assembly screws are in stainless steel.

EVERYTHING IN ITS PLACE

Two mechanical seals guarantee a perfect hold for the grease inside the reduction unit and, at the same time, keep water out. The bevel gear is made of bronze and the worm screw gear is made of steel, with a strengthened thread for perfect, silent coupling that is hard-wearing and long-lasting. All the ball-bearing houses and the motor set are turned in order to ensure perfect, silent rotation over time.



THE SLIDING RANGE

There are 5 versions of Roger Technology automatic sliding gate systems, each with a different, beautiful design according to the weight of your gate. The series E30 for sliding gates weighing up to 800 Kg. The series M30 for sliding gates weighing up to 300 Kg, the series H30 for sliding gates weighing up to 600 Kg, the series R30 for sliding gates weighing up to 800/1200 Kg, and finally the series G30, optimum range for gates weighing from 1800/2200 Kg. All models are available with a mechanical or magnetic limit switch.



E30 P_10



M30 P_14



H30 P_18



R30 P_22



G30 P_26



“E30 the style Roger Technology is developed according to logic”

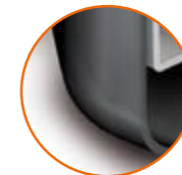


SOLUTIONS FOR CONDOMINIUMS

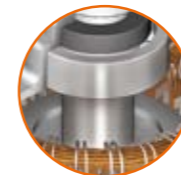
Electromechanical gear motor for sliding gates up to 800 kg. Structure entirely in cast aluminium, with reduced bulk. Underground motor, with foundation box.

RANGE E30 VERSIONS

E30/800	230V • magnetic encoder • magnetic limit switch • with cold galvanised foundation box • without control unit
E30/801	230V • magnetic encoder • magnetic limit switch • without cold galvanised foundation box • without control unit
FU800	cold galvanised foundation box



ALWAYS DRY
A robust cover, keeps the motor dry.



1400 PERFECT, SILENT REVOLUTIONS FOR MINUTE
2 special precision ball-bearings for electric motors, with double lipped protection and lifetime lubrication with high temperature grease.



ALL ROUND PROTECTION
Electric motor protected by a sensitive safety thermostat.



CONTROL AND SAFETY
Magnetic encoder for constant control of gate movement.



UNLOCKING GUARANTEE
The solid unlocking cast aluminium handle has a customised key, for unlocking and allows manual manoeuvres in any conditions.



PERFECT BRONZE AND STEEL COUPLING
The bevel gear is made of bronze and the worm screw gear is made of steel, with a super finish and strengthened thread for perfect, silent coupling that is hard-wearing and long-lasting.



ROBUST AND RELIABLE
Created to bear any weight.

E30

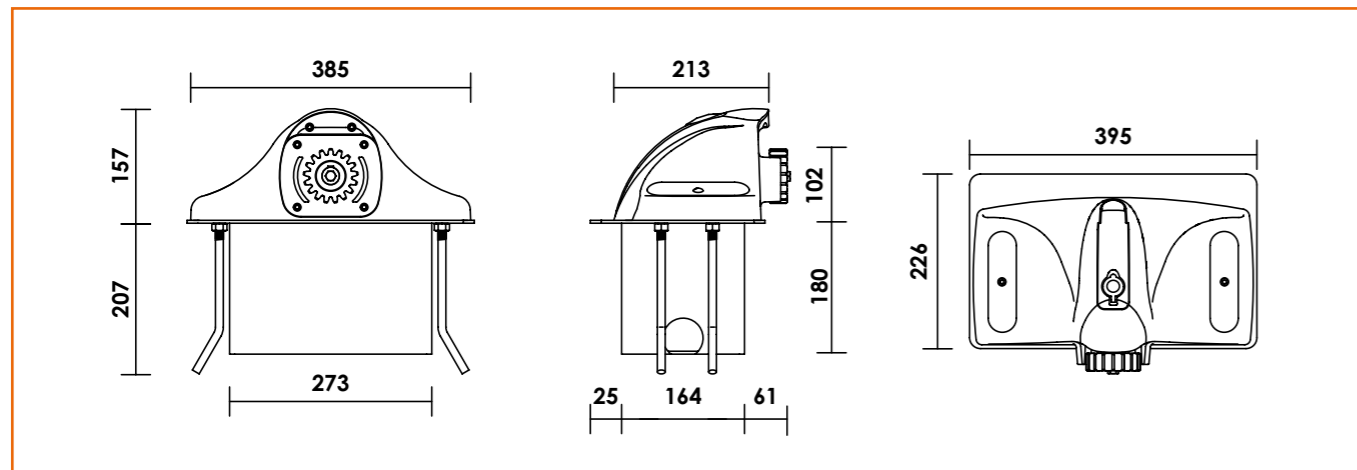
E30/800 E30/801

POWER	V	230AC 50Hz			
POWER RATING	W	350			
MAX THRUST	N	500			
PROTECTION LEVEL	IP	67			
INTERMITTENCE	%	50			
MOTOR THERMAL PROTECTION	°C	150			
OPERATING TEMPERATURE	°C	-20+55			
MANOEUVRE SPEED	m/min	9,5			
MAX GATE WEIGHT	Kg	800			

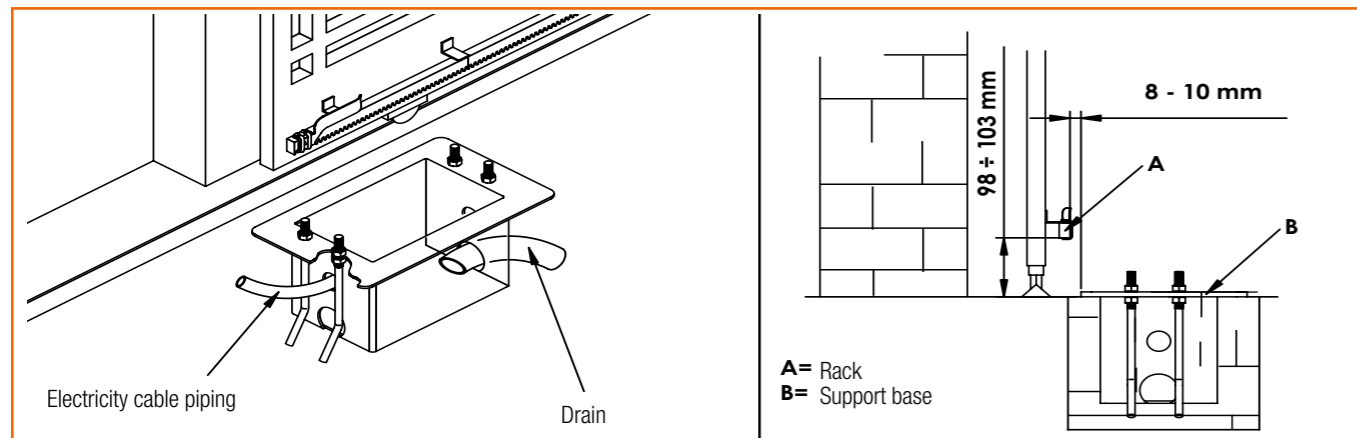
accessories

GA550 stainless steel rack 22x22x1000 module 4	GA551 stainless steel rack 30x12x1000 module 4 complete with spacers and screws	GA552 nylon rack module 4 with 4 attachments L 1000	GA553 nylon rack module 4 with 6 attachments L 1000

dimensions

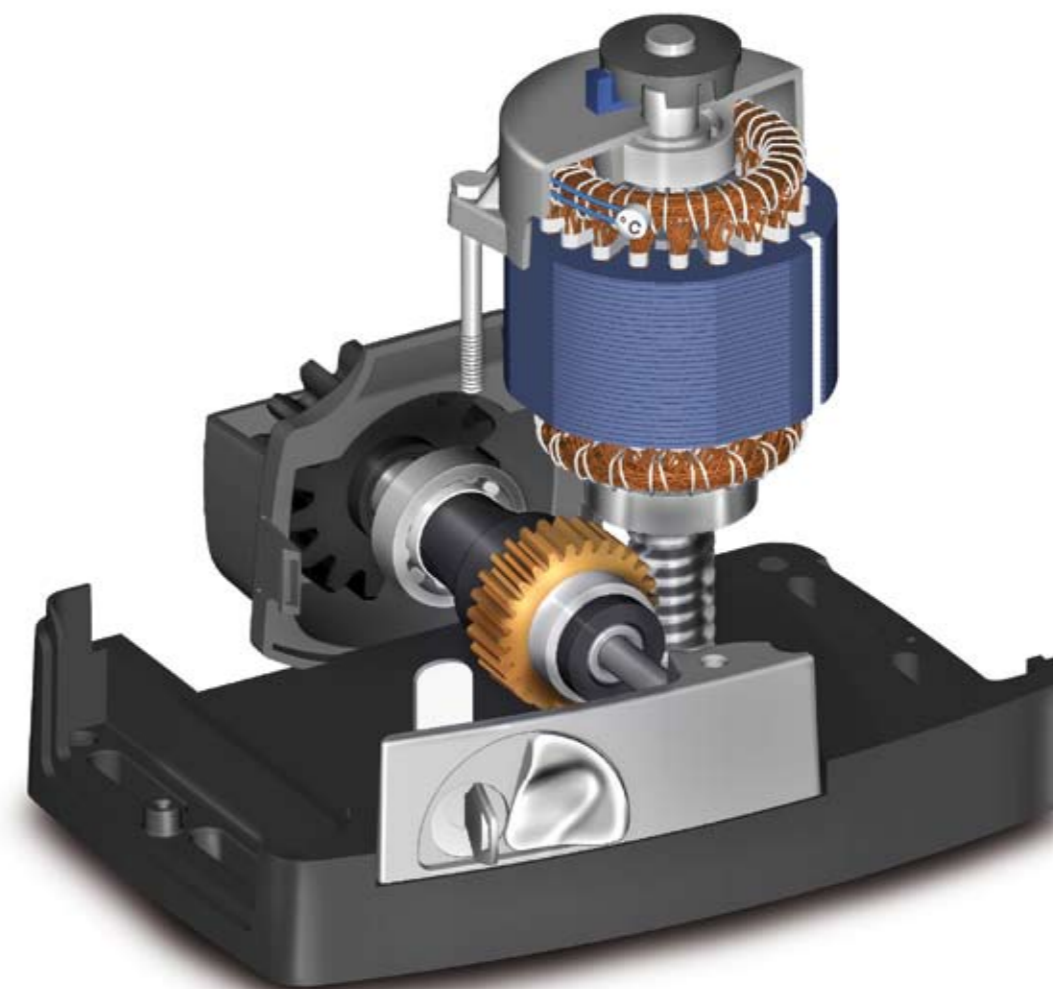


preparation for standard installation





“M30 the style Roger Technology is developed according to logic”



AGILE PERFORMANCE

Electromechanical gear motor available in two versions, for sliding gates weighing up to 300 kg. The main structure is made of cast aluminium, stove enamelled with epoxy resin specifically for outdoor use.

RANGE M30 VERSIONS

M30/323 230V • optical encoder • incorporated control unit • mechanical limit switch

M30/324 230V • optical encoder • incorporated control unit • magnetic limit switch



UNLOCKING GUARANTEE

The solid unlocking cast aluminium handle has a customised key, for unlocking and allows manual manoeuvres in any conditions.



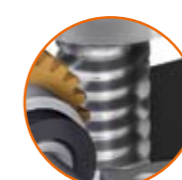
EVERYTHING IN ITS PLACE

Two mechanical seals guarantee a perfect hold for the grease inside the reduction unit and, at the same time, keep water out.



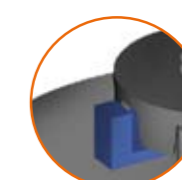
SOLID AND RELIABLE

The main structure is made of cast aluminium.



FLUIDITY OF MOVEMENT

The worm screw gear is made of special steel with a super finish and strengthened thread.



CONTROL AND SAFETY

Optical encoder for constant control of gate movement.



ALL ROUND PROTECTION

Electric motor protected by a sensitive safety thermostat.



COMPLETE PROTECTION

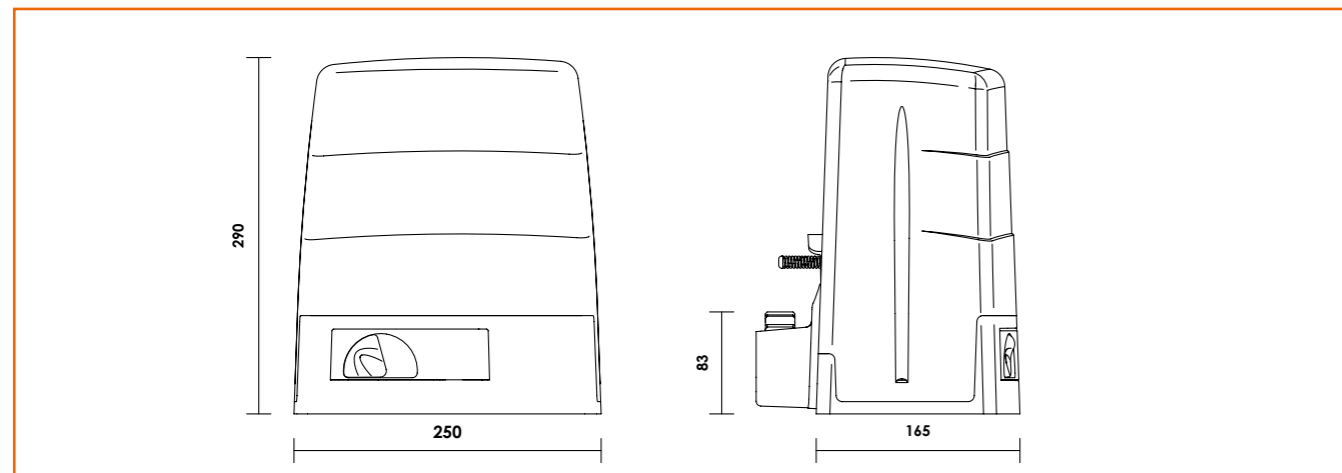
Output gear completely protected by an effective plastic shell.

M30

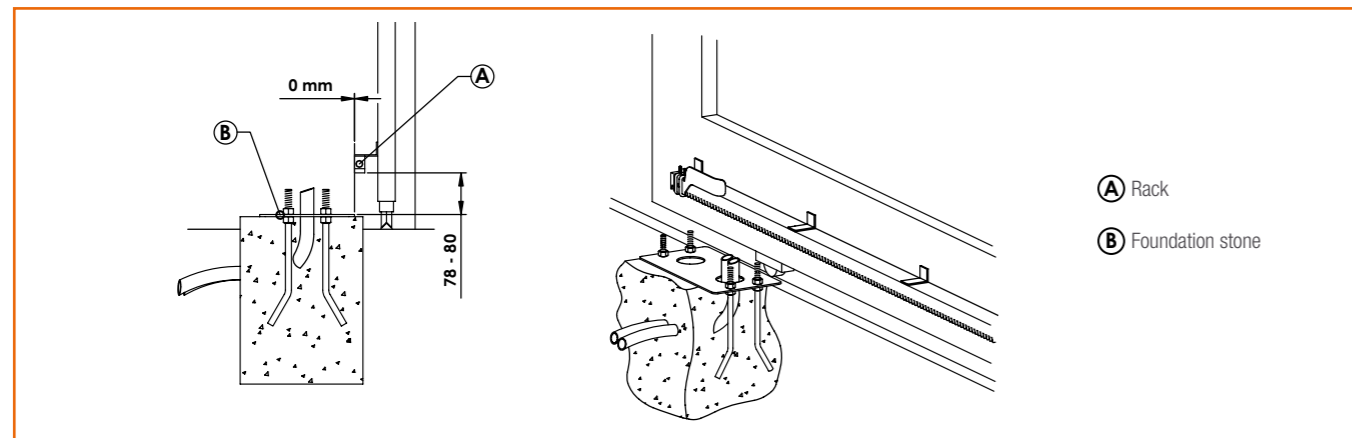
M30/323
M30/324

POWER	V	230AC 50Hz			
POWER RATING	W	210			
MAX THRUST	N	250			
INTERMITTENCE	%	50			
MOTOR THERMAL PROTECTION	°C	150			
OPERATING TEMPERATURE	°C	-20+55			
MANOEUVRE SPEED	m/min	9,5			
MAX GATE WEIGHT	Kg	300			

dimensions



preparation for standard installation



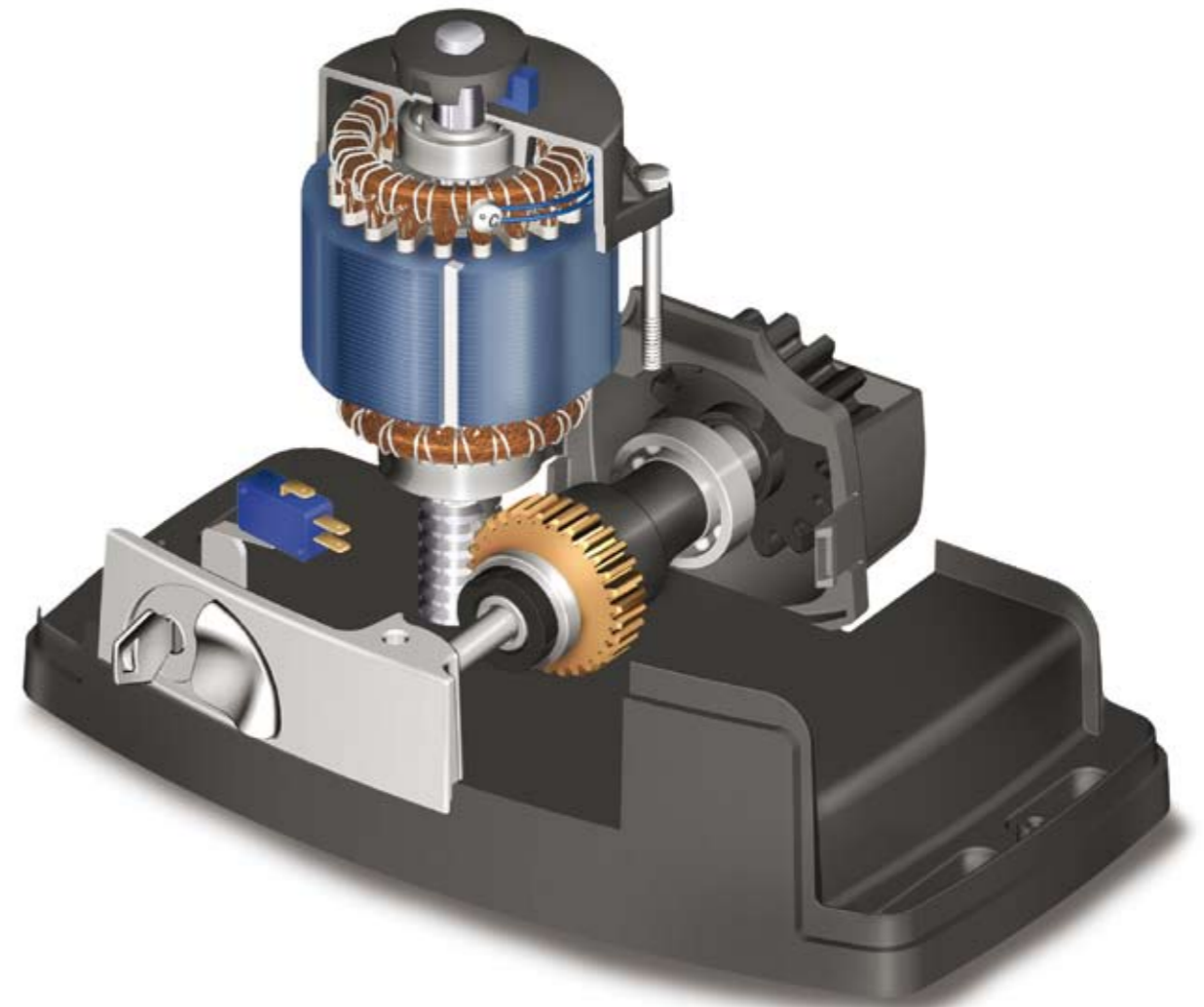
- (A)** Rack
- (B)** Foundation stone

accessories

GA550 stainless steel rack 22x22x1000 module 4	GA551 stainless steel rack 30x12x1000 module 4 complete with spacers and screws	GA552 nylon rack module 4 with 4 attachments L 1000	GA553 nylon rack module 4 with 6 attachments L 1000
MC758 mechanical limit switch for control unit H70/100AC	MC759 mechanical limit switch kit for control unit H70/100AC	MC760 magnetic limit switch for control unit H70/100AC	MC761 magnetic limit switch kit for control unit H70/100AC
MC772 mechanical limit switch for control unit H70/101AC and control unit H70/103AC	MC773 mechanical limit switch kit for control unit H70/101AC and control unit H70/103AC	MC774 magnetic limit switch for control unit H70/101AC and control unit H70/103AC	MC775 magnetic limit switch kit for control unit H70/101AC and control unit H70/103AC
KT220 raised mount for M30	KT223 mount base with tie rods and screws for M30		



“H30 the style Roger Technology is developed according to logic”



SPECIAL PERFORMANCE

Electromechanical gear motor available in three versions, for sliding gates weighing up to 600 kg. The main structure is made of cast aluminium, stove enamelled with epoxy resin specifically for outdoor use.

RANGE H30 VERSIONS

H30/643	230V • optical encoder • incorporated control unit • mechanical limit switch
H30/644	230V • optical encoder • incorporated control unit • magnetic limit switch
H30/623	24V • magnetic encoder • incorporated control unit • mechanical limit switch



UNLOCKING GUARANTEE

The solid unlocking cast aluminium handle has a customised key, for unlocking and allows manual manoeuvres in any conditions.



FLUIDITY OF MOVEMENT

The worm screw gear is made of special steel with a super finish and strengthened thread.



EVERYTHING IN ITS PLACE

Two mechanical seals guarantee a perfect hold for the grease inside the reduction unit and, at the same time, keep water out.



PERFECT BRONZE AND STEEL COUPLING

The bevel gear is made of bronze and the worm screw gear is made of steel, with a super finish and strengthened thread for perfect, silent coupling that is hard-wearing and long-lasting.



SOLID AND RELIABLE

The main structure is made of cast aluminium.



COMPLETE PROTECTION

Output gear completely protected by an effective plastic shell.

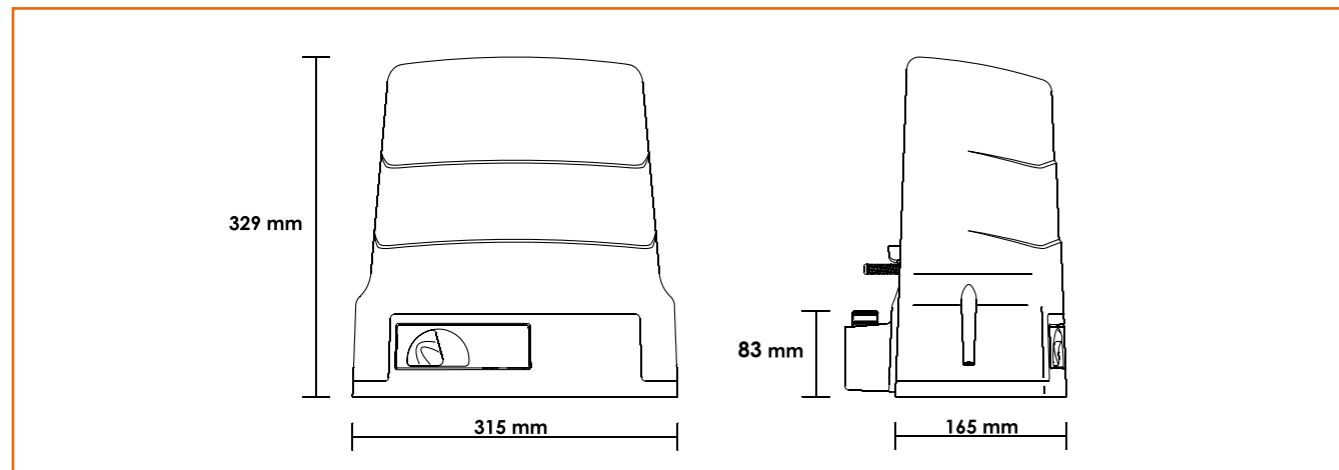


1400 PERFECT, SILENT REVOLUTIONS FOR MINUTE

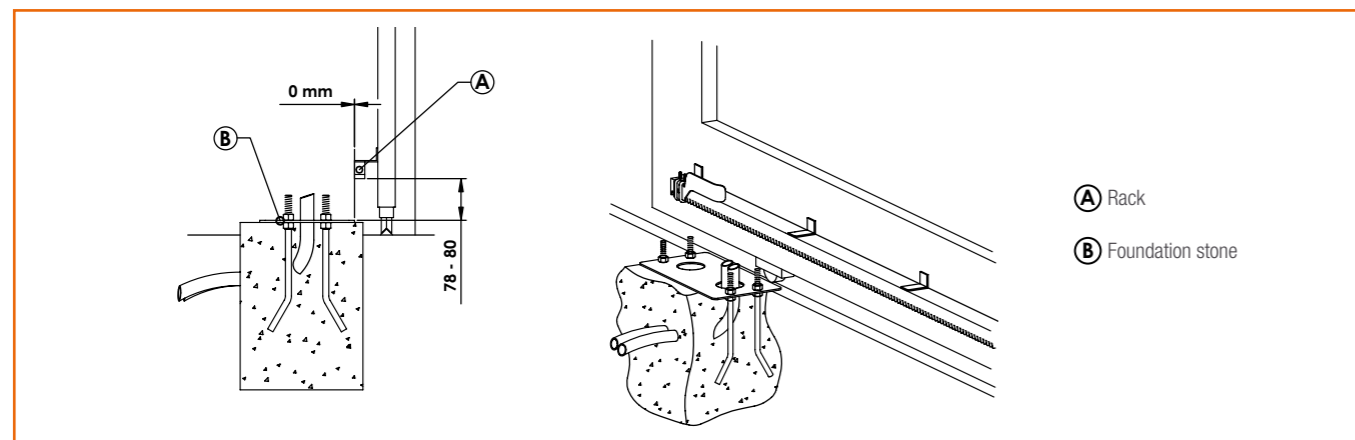
2 special precision ball-bearings for electric motors.

H30		H30/643 H30/644	H30/623		
POWER	V	230AC 50Hz	230Ac 50Hz / motor 24V		
POWER RATING	W	240	90		
MAX THRUST	N	300	320		
INTERMITTENCE	%	50	80		
MOTOR THERMAL PROTECTION	°C	150			
OPERATING TEMPERATURE	°C	-20+55	-20+55		
PROTECTION LEVEL	IP	43	43		
MANOEUVRE SPEED	m/min	9,5	12		
MAX GATE WEIGHT	Kg	600	600		

dimensions



preparation for standard installation

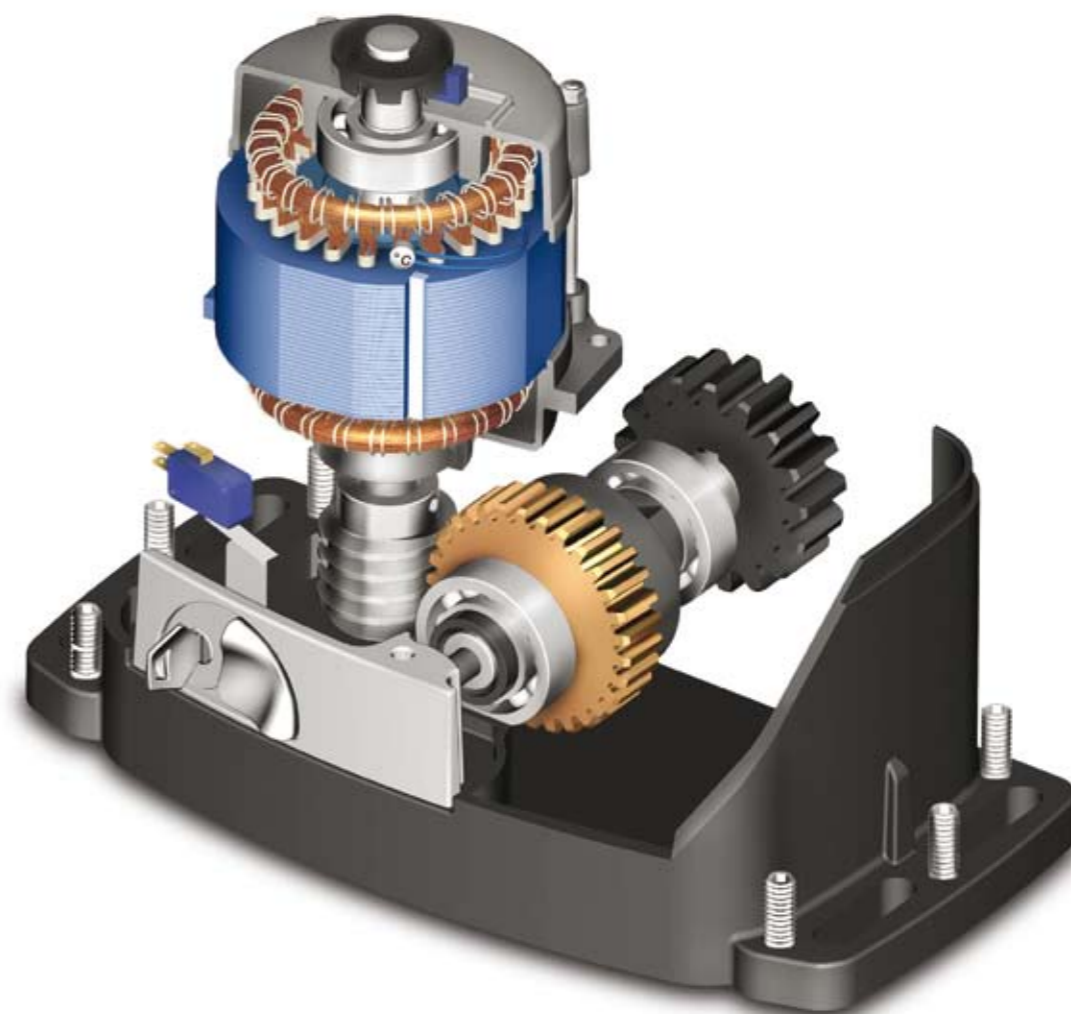


accessories

GA550 stainless steel rack 22x22x1000 module 4	GA551 stainless steel rack 30x12x1000 module 4 complete with spacers and screws	GA552 nylon rack module 4 with 4 attachments L 1000	GA553 nylon rack module 4 with 6 attachments L 1000
MC751 mechanical limit switch for control unit R70/1AC	MC752 mechanical limit switch kit for control unit R70/1AC	MC753 magnetic limit switch for control unit R70/1AC	MC754 magnetic limit switch kit for control unit R70/1AC
MC762 mechanical limit switch for control unit H70/100AC	MC763 mechanical limit switch kit for control unit H70/100AC	MC764 magnetic limit switch for control unit H70/100AC	MC765 magnetic limit switch kit for control unit H70/100AC
MC772 mechanical limit switch for control unit H70/101AC and control unit H70/103AC	MC773 mechanical limit switch kit for control unit H70/101AC and control unit H70/103AC	MC774 magnetic limit switch for control unit H70/101AC and control unit H70/103AC	MC775 magnetic limit switch kit for control unit H70/101AC and control unit H70/103AC
MC771 safety micro for control unit H70/101AC and control unit H70/101AC	KT214 mount base with tie rods and screws for H30	KT221 raised mount for H30	



“R30 the style Roger Technology is developed according to logic”



COMPLETE PERFORMANCE

Electromechanical gear motor available in five versions, for sliding gates weighing up to 800,1200 kg. The main structure is made of cast aluminium, stove enamelled with epoxy resin specifically for outdoor use.

RANGE R30 VERSIONS

R30/803	230V • optical encoder • incorporated control unit • mechanical limit switch
R30/804	230V • optical encoder • incorporated control unit • magnetic limit switch
R30/1203	230V • optical encoder • incorporated control unit • mechanical limit switch
R30/1204	230V • optical encoder • incorporated control unit • magnetic limit switch
R30/1209	Three-phase 380V • without control unit • mechanical limit switch



ALL ROUND PROTECTION

Electric motor protected by a sensitive safety thermostat.



UNLOCK IN TOTAL SAFETY

Manual unlocking is protected by a micro interrupter that prevents the gear motor working automatically.



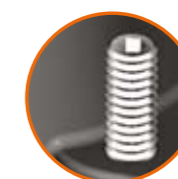
EVERYTHING IN ITS PLACE

Two mechanical seals guarantee a perfect hold for the grease inside the reduction unit and, at the same time, keep water out.



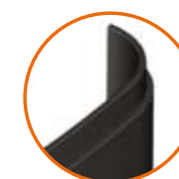
PERFECT BRONZE AND STEEL COUPLING

The bevel gear is made of bronze and the worm screw gear is made of steel, with a super finish and strengthened thread for perfect, silent coupling that is hard-wearing and long-lasting.



PRECISION MOUNTING

6 points that can be accurately levelled, allow you to regulate the best position.



SOLID AND RELIABLE

3,8 kg of cast aluminium are used for the gear motor.

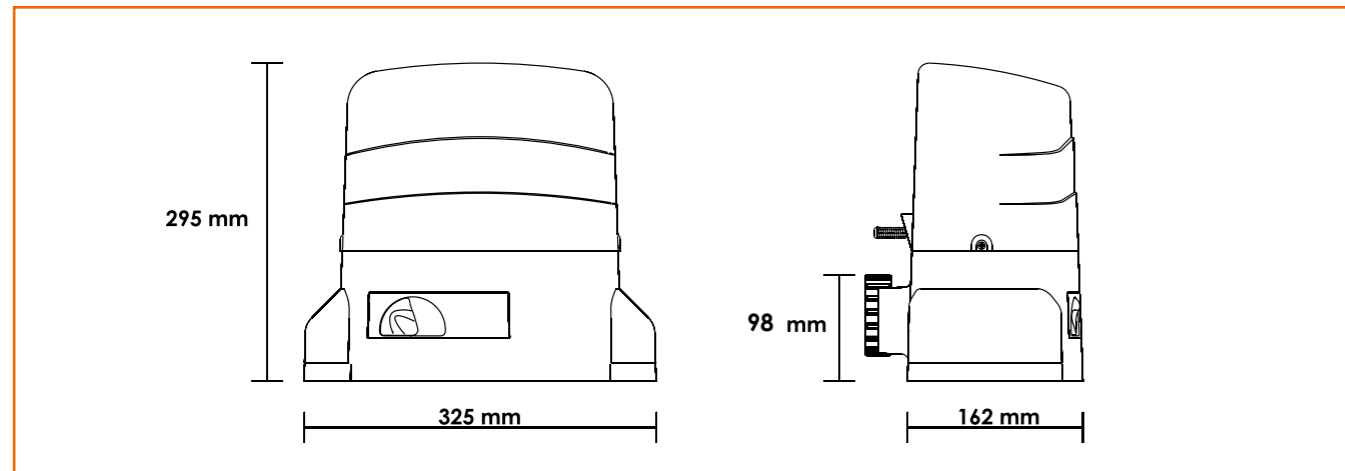


CONTROL AND SAFETY

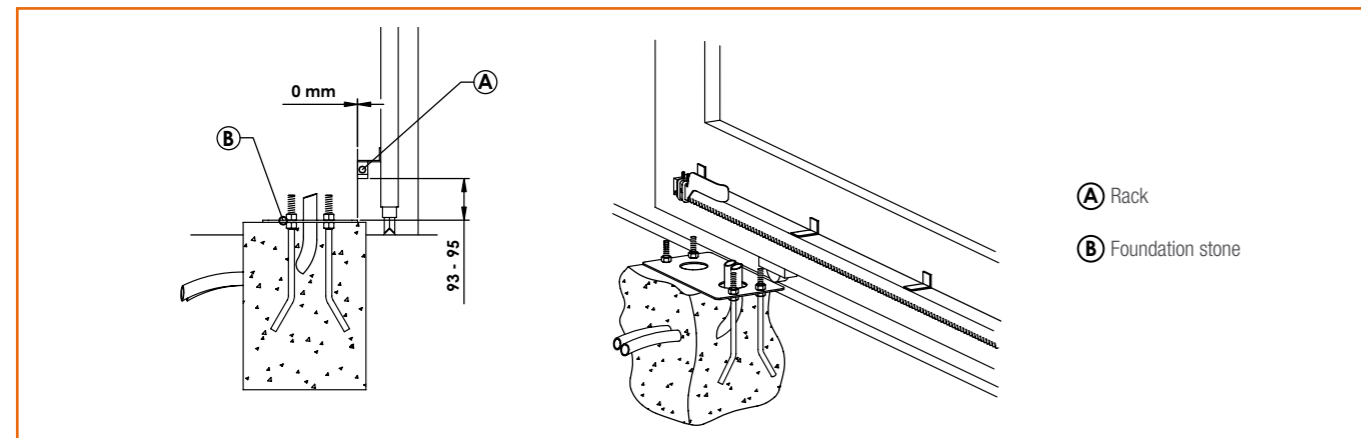
Optical encoder for constant control of gate movement.

R30		R30/803 R30/804	R30/1203 R30/1204	R30/1209		
POWER	V	230AC 50Hz	230AC 50Hz	380AC 50Hz		
POWER RATING	W	350	420	450		
MAX THRUST	N	500	800	850		
INTERMITTENCE	%	50	50	50		
MOTOR THERMAL PROTECTION	°C	150	150	150		
OPERATING TEMPERATURE	°C	-20+55	-20+55	-20+55		
MANOEUVRE SPEED	m/min	9,5	9,5	9,5		
MAX GATE WEIGHT	Kg	800	1200	1200		

dimensions



preparation for standard installation

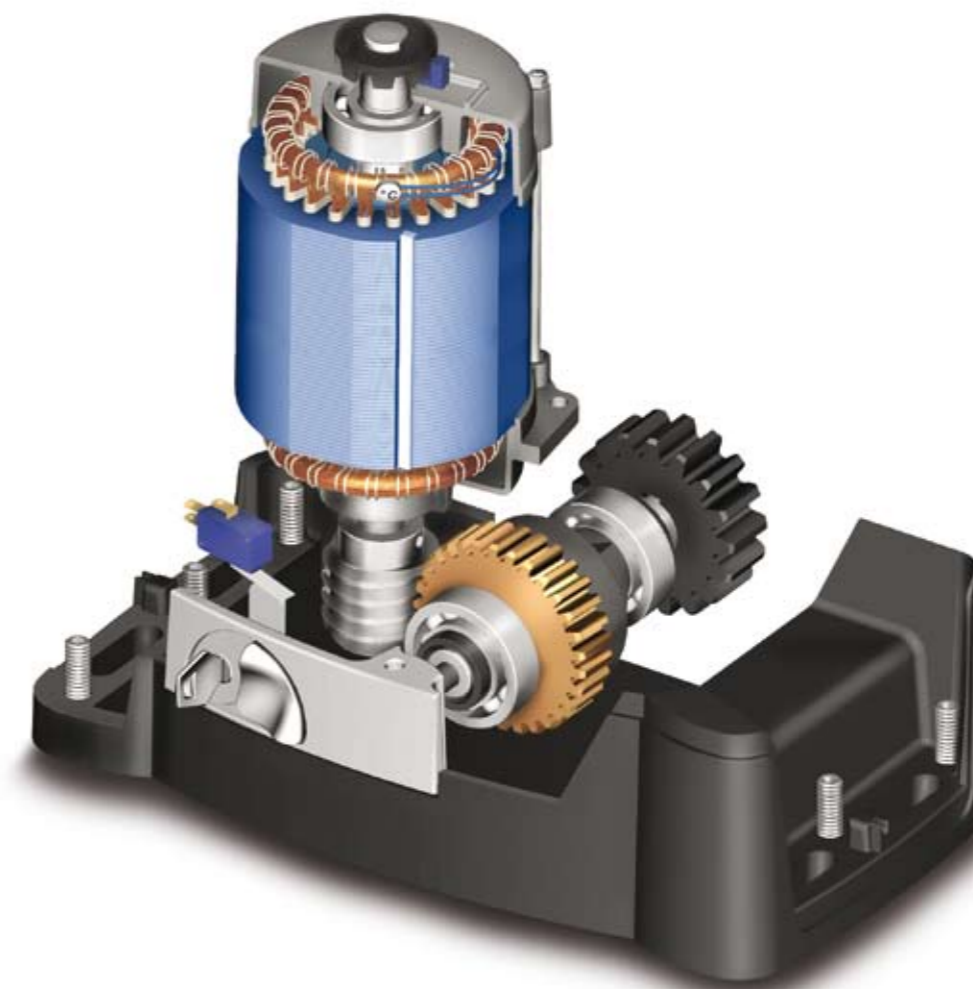


accessories

GA550 stainless steel rack 22x22x1000 module 4	GA551 stainless steel rack 30x12x1000 module 4 complete with spacers and screws	GA552 nylon rack module 4 with 4 attachments L 1000	GA553 nylon rack module 4 with 6 attachments L 1000
MC751 mechanical limit switch for control unit R70/1AC	MC752 mechanical limit switch kit for control unit R70/1AC	MC753 magnetic limit switch for control unit R70/1AC	MC754 magnetic limit switch kit for control unit R70/1AC
MC762 mechanical limit switch for control unit H70/100AC	MC763 mechanical limit switch kit for control unit H70/100AC	MC764 magnetic limit switch for control unit H70/100AC	MC765 magnetic limit switch kit for control unit H70/100AC
MC772 mechanical limit switch for control unit H70/101AC and control unit H70/103AC	MC773 mechanical limit switch kit for control unit H70/101AC and control unit H70/103AC	MC774 magnetic limit switch for control unit H70/101AC and control unit H70/103AC	MC775 magnetic limit switch kit for control unit H70/101AC and control unit H70/103AC
KT210 mount base with tie rods and screws	KT211 lateral corners complete with screws	KT212 raised mount	KT213 mounting kit with corners
MC771 safety micro for control unit H70/101AC and control unit H70/103AC			



“G30 the style Roger Technology
is developed according to logic”



ROBUST AND POWERFUL FOR LARGE ENTRANCES

Electromechanical gear motor available in four versions, for sliding gates weighing up to 1800, 2200 kg. The main structure is made of cast aluminium, stove enamelled with epoxy resin specifically for outdoor use.

RANGE G30 VERSIONS

G30/1803	230V • optical encoder • incorporated control unit • mechanical limit switch
G30/1804	230V • optical encoder • incorporated control unit • magnetic limit switch
G30/2203	230V • optical encoder • incorporated control unit • mechanical limit switch
G30/2204	230V • optical encoder • incorporated control unit • magnetic limit switch



ALL ROUND PROTECTION

Electric motor protected by a sensitive safety thermostat.



UNLOCKING GUARANTEE

The solid unlocking cast aluminium handle has a customised key, for unlocking and allows manual manoeuvres in any conditions.



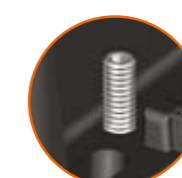
EVERYTHING IN ITS PLACE

Two mechanical seals guarantee a perfect hold for the grease inside the reduction unit and, at the same time, keep water out.



PERFECT BRONZE AND STEEL COUPLING

The bevel gear is made of bronze and the worm screw gear is made of steel, with a super finish and strengthened thread for perfect, silent coupling that is hard-wearing and long-lasting.



PRECISION MOUNTING

6 points that can be accurately levelled, allow you to regulate the best position.



PERFECT PRECISION CENTERING

All the ball-bearing houses and the motor set are turned in order to ensure perfect, silent rotation over time.

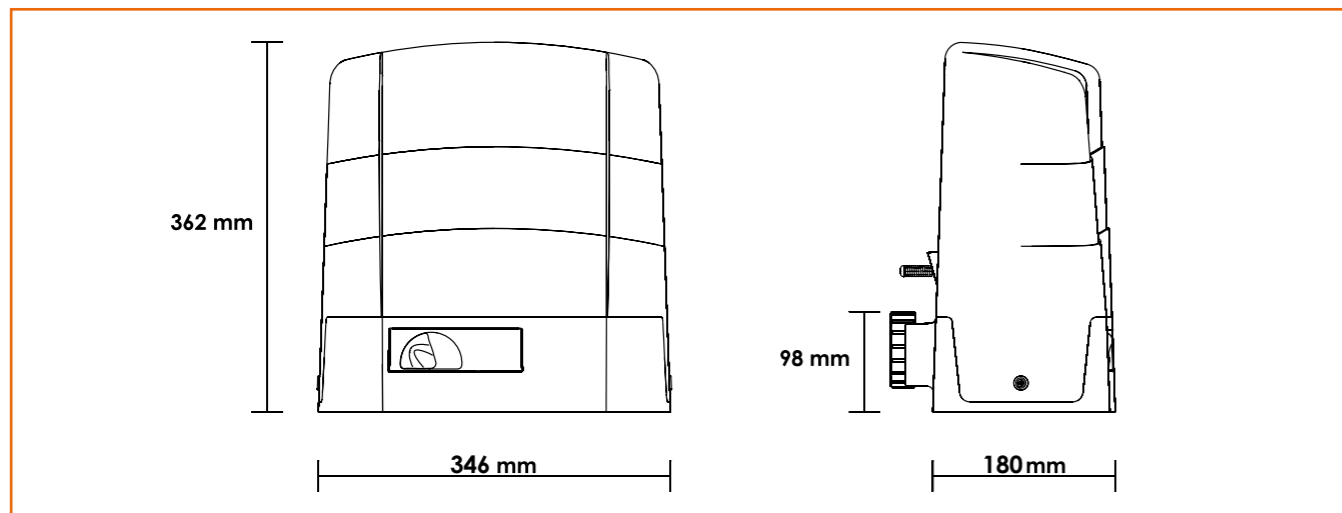


CONTROL AND SAFETY

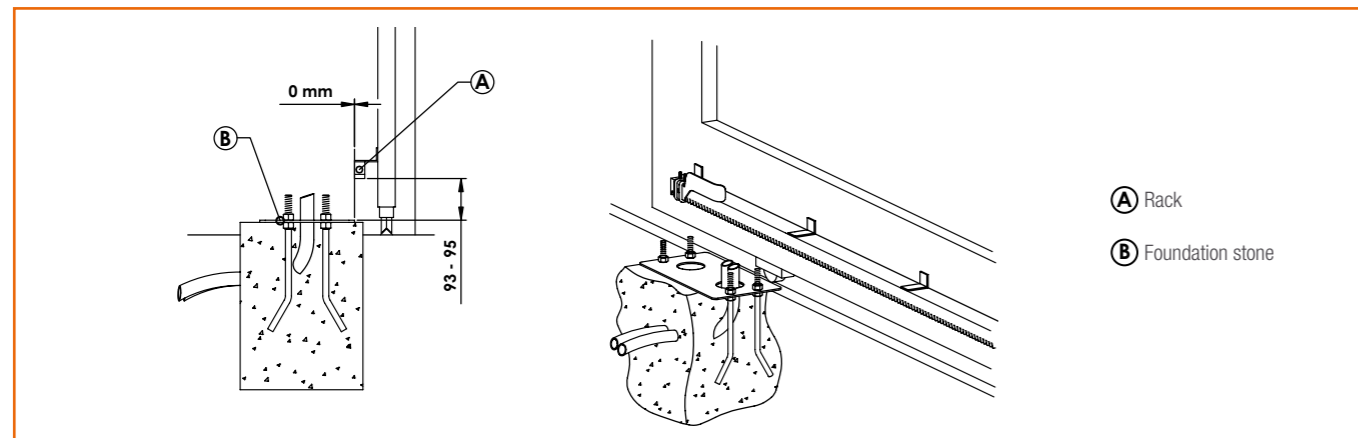
Optical encoder for constant control of gate movement.

G30		G30/1803	G30/2203		
		G30/1804	G30/2204		
POWER	V	230AC 50Hz	230AC 50Hz		
POWER RATING	W	520	580		
MAX THRUST	N	1200	1500		
INTERMITTENCE	%	50	50		
MOTOR THERMAL PROTECTION	°C	150	150		
OPERATING TEMPERATURE	°C	-20+55	-20+55		
MANOEUVRE SPEED	m/min	9,5	9,5		
MAX GATE WEIGHT	Kg	1800	2200		

dimensions



preparation for standard installation



accessories

GA550 stainless steel rack 22x22x1000 module 4	GA551 stainless steel rack 30x12x1000 module 4 complete with spacers and screws	GA552 nylon rack module 4 with 4 attachments L 1000	GA553 nylon rack module 4 with 6 attachments L 1000
MC751 mechanical limit switch for control unit R70/1AC	MC752 mechanical limit switch kit for control unit R70/1AC	MC753 magnetic limit switch for control unit R70/1AC	MC754 magnetic limit switch kit for control unit R70/1AC
MC762 mechanical limit switch for control unit H70/100AC	MC763 mechanical limit switch kit for control unit H70/100AC	MC764 magnetic limit switch for control unit H70/100AC	MC765 magnetic limit switch kit for control unit H70/100AC
MC772 mechanical limit switch for control unit H70/101AC and control unit H70/103AC	MC773 mechanical limit switch kit for control unit H70/101AC and control unit H70/103AC	MC774 magnetic limit switch for control unit H70/101AC and control unit H70/103AC	MC775 magnetic limit switch kit for control unit H70/101AC and control unit H70/103AC
MC771 safety micro for control unit H70/101AC and control unit H70/103AC	KT215 mount base with tie rods and screws for G30	KT222 raised mount for G30	



KIT CONTAINS H30

- 1 motor H30/... with incorporated control unit
- 2 remote controls H80/TX22
- 1 pair of photocells R90/F1E
- 1 radio receiver H93/RX22A/I
- 1 flashing light R92/LR1
- 1 antenna for flashing light R91/AN1/LR1

TYPE OF KIT H30

- **KIT H30/645** gates up to 600 kg • mechanical limit switch
- **KIT H30/646** gates up to 600 kg • magnetic limit switch

KIT CONTAINS M30

- 1 motor M30/... with incorporated control unit
- 2 remote controls H80/TX22
- 1 pair of photocells R90/F1E
- 1 radio receiver H93/RX22A/I
- 1 flashing light R92/LR1
- 1 antenna for flashing light R91/AN1/LR1

TYPE OF KIT M30

- **KIT M30/325** gates up to 300 kg • mechanical limit switch
- **KIT M30/326** gates up to 300 kg • magnetic limit switch

KIT CONTAINS R30

- 1 motor R30/... with incorporated control unit
- 2 remote controls H80/TX22
- 1 pair of photocells R90/F1E
- 1 radio receiver H93/RX22A/I
- 1 flashing light R92/LR1
- 1 antenna for flashing light R91/AN1/LR1

TYPE OF KIT R30

- **KIT R30/805** gates up to 800 Kg • mechanical limit switch
- **KIT R30/806** gates up to 800 Kg • magnetic limit switch
- **KIT R30/1205** gates up to 1.200 Kg • mechanical limit switch
- **KIT R30/1206** gates up to 1.200 Kg • magnetic limit switch



SWING RANGE

There are 8 versions of Roger Technology, automatic piston swing gate, systems with articulated arms and underground foundation box. The latest innovation Roger Technology in the swing range is the M20, designed so that all moving mechanical components are assembled independently of the bodywork, to make maintenance easier.

The eight versions Roger Technology offers are: H20-G20-R20-M20 automatic piston systems, with worm screw gears, the R23-H23-G23 automatic articulated arm systems with jam protection and finally, the R21 underground series with foundation box.

-  — **R20** P_34
-  — **G20** P_38
-  — **H20** P_42
-  — **M20** P_46
-  — **R23** P_50
-  — **H23** P_54
-  — **G23** P_58
-  — **R21** P_62

“R20 the style Roger Technology is developed according to logic”



ROBUST ELECTROMECHANICAL SYSTEM

Electromechanical gear motor available in 4 versions, for swing gates up to a maximum of 5 metres in length. The main structure is made of cast aluminium, stove enamelled with epoxy resin specifically for outdoor use.

RANGE R20 VERSIONS

R20/300	230V irreversible • short rapid 1 micro
R20/302	230V irreversible • short slow 1 micro
R20/500	230V irreversible • long rapid 1 micro
R20/502	230V irreversible • long slow 1 micro



ANGLED MOTOR
The angled motor ensures an optimal, high performance mechanical system using only a single gear.



FREE-STANDING PYLON
The aluminium profile is connected to the body of the motor with three stays in pylon to guarantee a solid, compact structure.



SLOWNESS IS OUR STRENGTH
The worm screw gear is entirely created from a single steel bar. The absence of joints guarantees a great deal of rigidity and total transmission of power.



BRONZE “STEEL IS MY FAVOURITE”
The split nut performs the most important task of all, by transmitting energy to the gate motor. Created in bronze and coupled with the loose steel screw, it performs its function perfectly.



AN ACCESSIBLE LIMIT SWITCH
The limit switch is housed directly in the aluminium profile and can be accessed with a removable cover, that makes it easy to regulate even when the actuator is mounted.



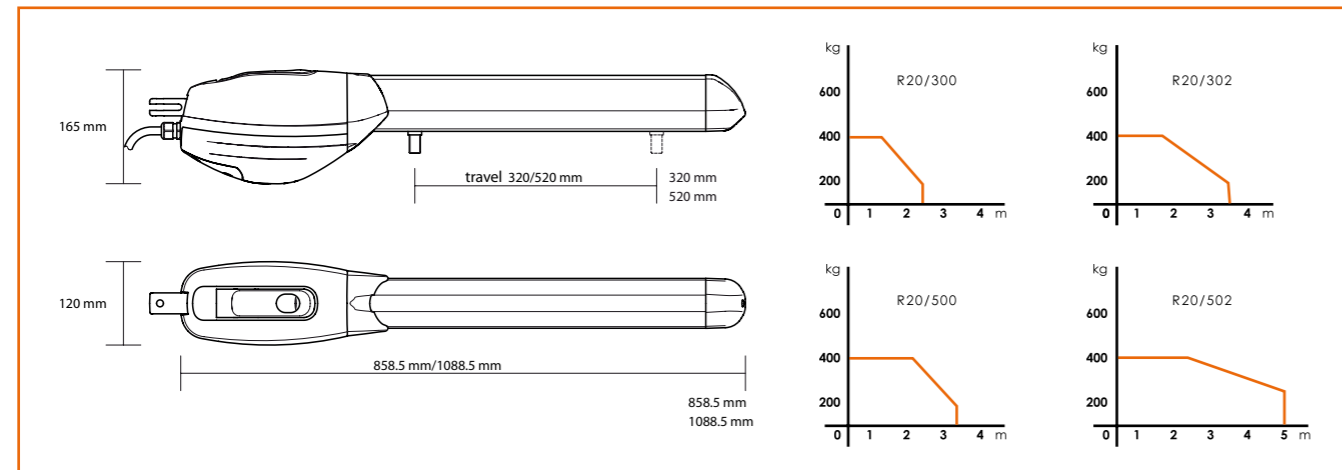
ROBUST AND RELIABLE
The main structure and ball bearing housing are made of cast aluminium.



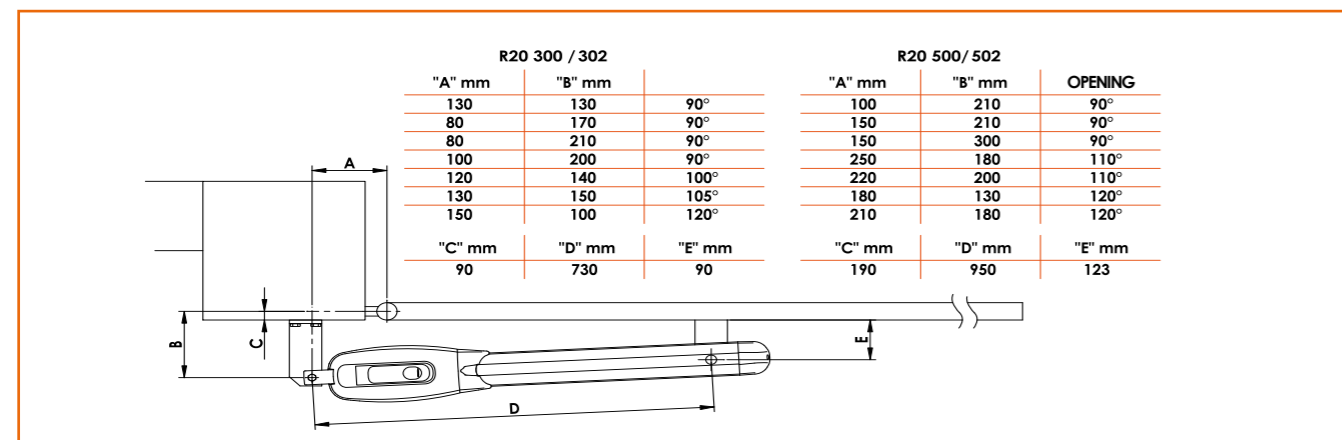
FLUID, GRADUAL UNLOCKING
The unlocking handle has a customised key and can be manoeuvred manually with a gradual, fluid movement, thanks to an original cam with a variable profile.

R20		R20/300	R20/302	R20/500	R20/502
POWER	V	230AC 50Hz	230AC 50Hz	230AC 50Hz	230AC 50Hz
POWER RATING	W	200	215	200	215
VOLTAGE	A	1,1	1,2	1,1	1,2
THRUST	N	2500	2800	2500	2800
TRAVEL	mm	320	320	520	520
OPENING TIME FOR 90°	s	19	28	27	42
INTERMITTENCE	%	40	40	40	40
MOTOR THERMAL PROTECTION	°C	140	140	140	140
OPERATING TEMPERATURE	°C	-20+55	-20+55	-20+55	-20+55
PROTECTION LEVEL	IP	43	43	43	43
WEIGHT	Kg	7,2	7,2	7,8	7,8
INCORPORATED CONDENSER	µF	15	6,3	15	6,3
SPEED	cm/s	1,66	1,06	1,66	1,06

dimensions



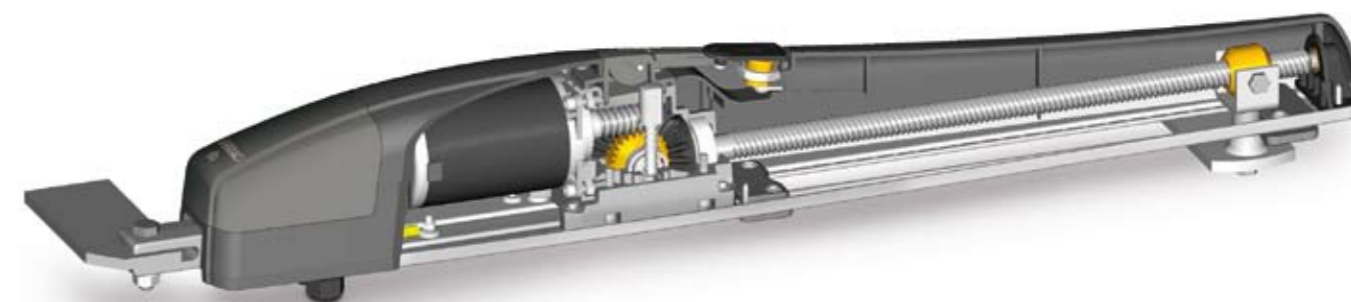
preparation for standard installation



accessories



“G20 the style Roger Technology is developed according to logic”

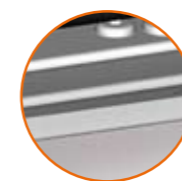


MODULAR SYSTEM IN IRRESISTIBLE COLOURS

Electromechanical gear motor, for swing gates. The main structure is made of aluminium. The cover is made of robust ABS available in a wide range of colours.

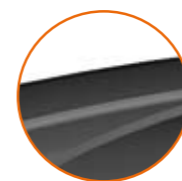
RANGE G20 VERSION

G20/330	230V • with mechanical opening stopper • optical encoder
G20/334	24V • with mechanical opening stopper • magnetic encoder



FREESTANDING STRUCTURE

The moulded aluminium base, to which all the components are fixed is extremely robust.



COLOURFUL ABS COVER

You can customise the cover by choosing from a wide range of colours. The thickness of the cover guarantees resistance to shocks.



MODULAR GEAR MOTOR

Choose between 220VAC and 24VDC motors, both of which are very powerful. Motor gear in bronze and bevel gear drive in steel.



MECHANICAL STOPPER

A robust mechanical opening stopper, that can be regulated with extreme precision.



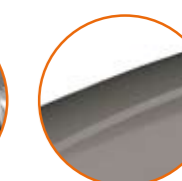
FLUID, GRADUAL UNLOCKING

The unlocking handle has a customised key and can be manoeuvred manually with a gradual, fluid movement thanks to a spring system.



BRONZE "STEEL IS MY FAVOURITE"

The split nut performs the most important task of all, by transmitting energy to the gate motor. Created in bronze and coupled with the loose steel screw, it performs its function perfectly.

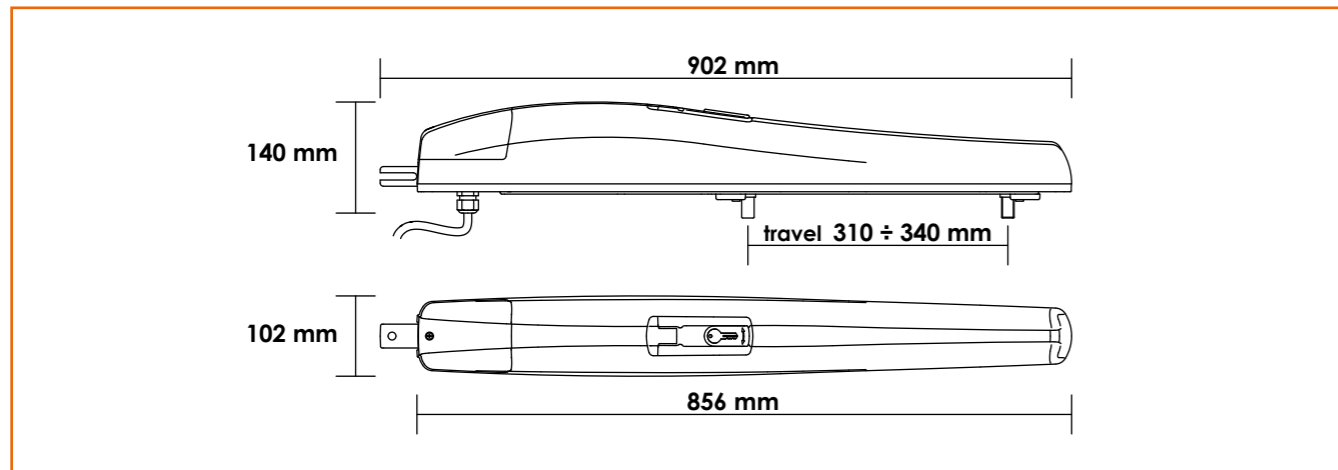


EASY ELECTRICAL CONNECTIONS

Professional intervention is made easy with easily-accessible electrical connections positioned in the upper part, protected by a robust coloured or enamelled shell.

G20		G20/330	G20/334			
POWER	V	230AC 50Hz	24DC			
POWER RATING	W	200	96			
VOLTAGE	A	1,1	4			
INTERMITTENCE	%	30	80			
MOTOR THERMAL PROTECTION	°C	140	-			
OPERATING TEMPERATURE	°C	-20+55	-20+55			
PROTECTION LEVEL	IP	43	43			
OPENING TIME FOR 90°	s	19	19			
SPEED	cm/s	1.66	1.66			
MAX THRUST	N	2500	2800			
TRAVEL	mm	310/340	310/340			

dimensions



accessories

KT 201 long front bracket	KT 202 short front bracket	KT 203 long rear bracket	KT 204 short rear bracket
KT 205 3 long range bracket kit	KT 206 3 short range bracket kit	MC 779 mechanical stopper kit for closure	

“H20 the style Roger Technology is developed according to logic”

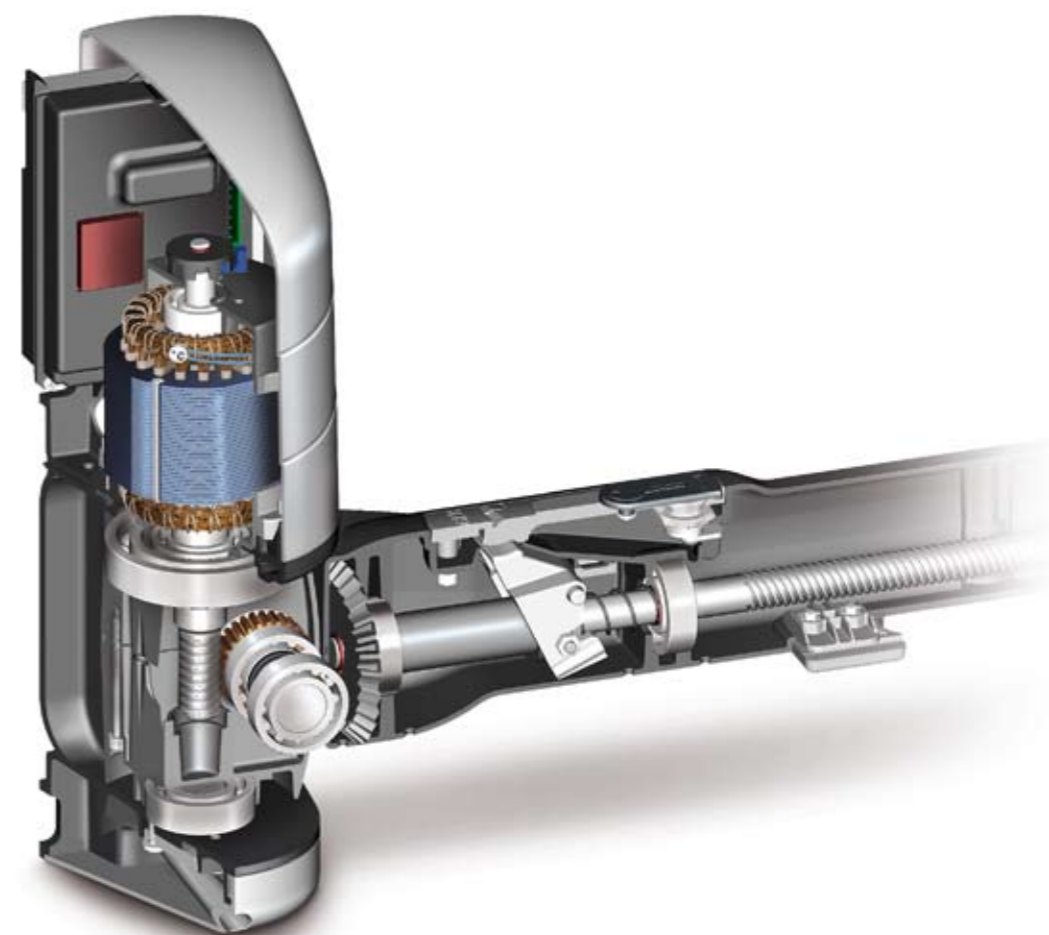


INNOVATIVE ELECTROMECHANICAL SYSTEM

Electromechanical gear motor available in 4 versions, for swing gates up to a maximum of 5 metres in length, with precision mechanics. The main structure is made of cast aluminium, stove enamelled with epoxy resin specifically for outdoor use.

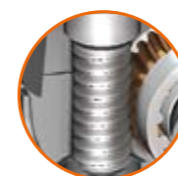
RANGE H20 VERSIONS

H20/370	230V • short rapid • optical encoder • without electronics • with mechanical opening and closing stopper
H20/375	230V • short slow • optical encoder • without electronics • with mechanical opening and closing stopper
H20/550	230V • long rapid • optical encoder • without electronics • with mechanical opening and closing stopper
H20/555	230V • long slow • optical encoder • without electronics • with mechanical opening and closing stopper



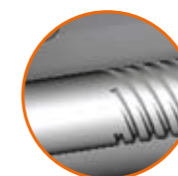
LARGE AND ROBUST IN ALL THE RIGHT PLACES

11 ball bearings for precise, safe movements.



PERFECT BRONZE AND STEEL COUPLING

The bevel gear is made of bronze and the worm screw gear is made of steel, with a super finish and strengthened thread for perfect, silent coupling that is hard-wearing and long-lasting.



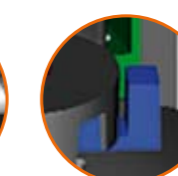
SLOWNESS IS OUR STRENGTH

The worm screw gear is entirely created from a single steel bar. The absence of joints guarantees a great deal of rigidity and total transmission of power.



FLUID, GRADUAL UNLOCKING

The unlocking handle has a customised key and can be manoeuvred manually with a gradual, fluid movement, thanks to an original cam with a variable profile.



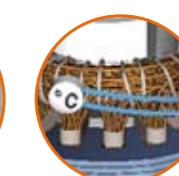
CONTROL AND SAFETY

Optical encoder for constant control of gate movement.



SAFE CONNECTIONS

Everything revolves around the motor.



ALL ROUND PROTECTION

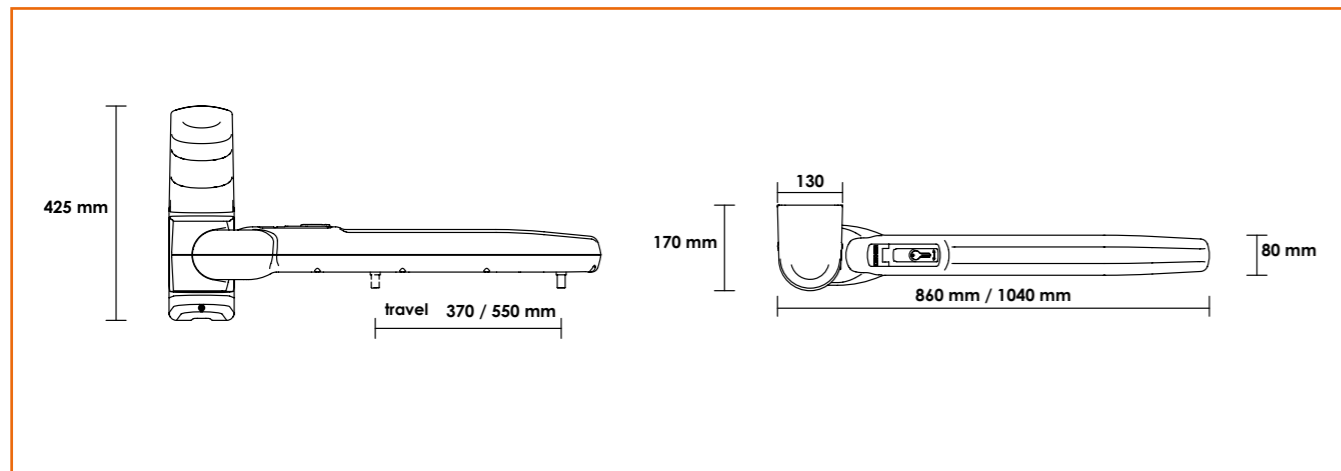
Electric motor protected by a sensitive safety thermostat.

H20		H20/370	H20/375	H20/550	H20/555
POWER	V	230AC 50Hz	230AC 50Hz	230AC 50Hz	230AC 50Hz
POWER RATING	W	200	215	200	215
VOLTAGE	A	1,1	1,2	1,1	1,2
MAX THRUST	N	2500	2800	2500	2800
TRAVEL	mm	370	370	550	550
OPENING TIME FOR 90°	s	19	28	27	42
INTERMITTENCE	%	40	40	40	40
MOTOR THERMAL PROTECTION	°C	140	140	140	140
OPERATING TEMPERATURE	°C	-20+55	-20+55	-20+55	-20+55
GRADO DI PROTEZIONE	IP	43	43	43	43
VELOCITA'	cm/s	1,66	1,06	1,66	1,06

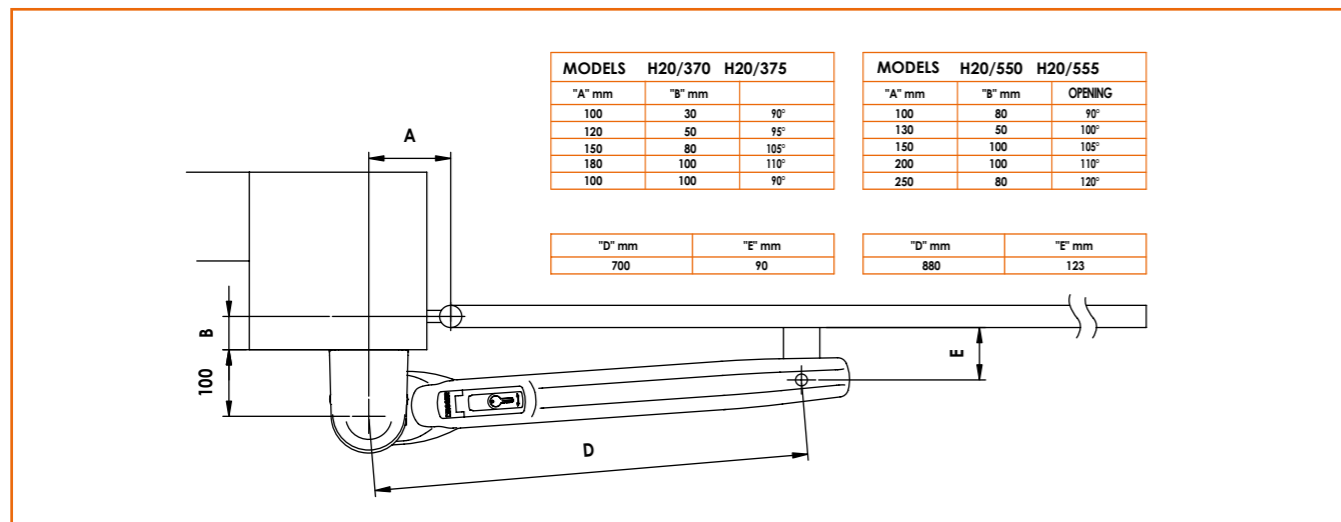
accessories



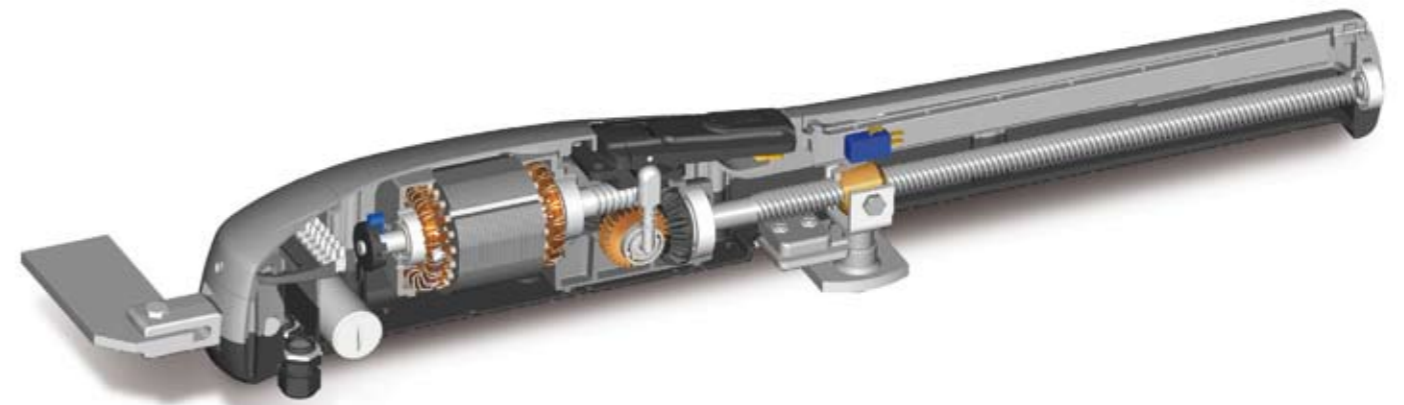
dimensions



preparation for standard installation



“M20 the style Roger Technology is developed according to logic”



MODULAR AND SAFE

Electromechanical gear motor for swing gates up to 3 metres. The main structure is made of cast aluminium, stove enamelled with epoxy resin specifically for outdoor use. Available with 230VAC motor and 24VDC, all with encoder, an electric limit switch and mechanical stopper for opening.

RANGE M20 VERSIONS

M20/340	230VAC irreversible • optical encoder • electric limit switch • mechanical stopper for opening
M20/344	24VDC irreversible • magnetic encoder • electric limit switch • mechanical stopper for opening



MODULAR GEAR MOTOR

Choose between 230VAC and 24VDC motors, both of which are very powerful. Motor gear in bronze and bevel gear drive in steel.



MOTOR GEAR ASSEMBLED SEPARATELY

All moving mechanical parts are assembled independently of the body, to make maintenance easier.



ENCODER

All types of continual and alternating current motors have an encoder to guarantee continual control of the position of the panel.



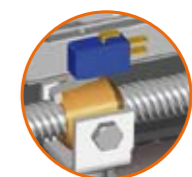
FLUID, GRADUAL UNLOCKING

The unlocking handle has a customised key and can be manoeuvred manually with a gradual, fluid movement, thanks to an original cam with a variable profile.



BRONZE "STEEL IS MY FAVOURITE"

The split nut performs the most important task of all, by transmitting energy to the gate motor. Created in bronze and coupled with the loose steel screw, it performs its function perfectly.



ELECTRIC LIMIT SWITCH

All models have an opening limit switch. Closing limit switch available on request.

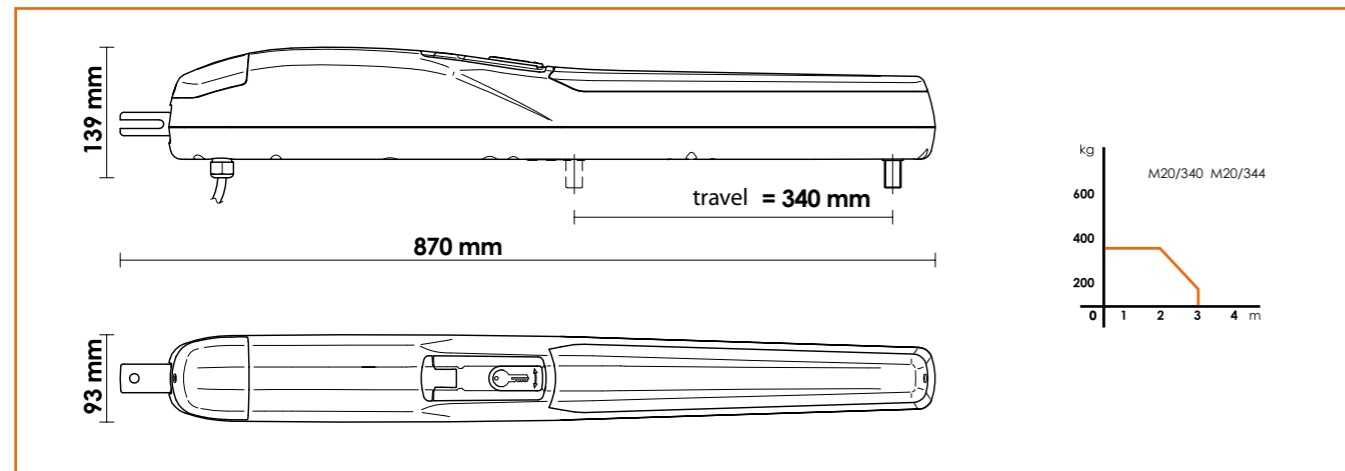


EASY ELECTRICAL CONNECTIONS

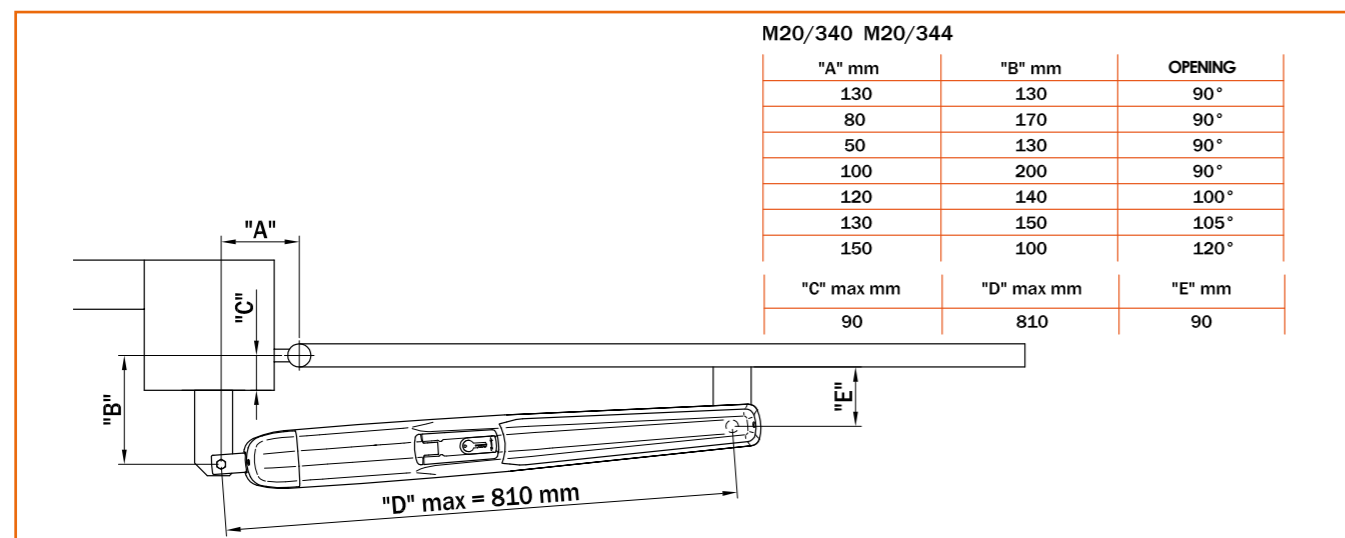
Professional intervention is made easy with easily-accessible electrical connections positioned in the upper part, protected by a enamelled shell.

M20		M20/340	M20/344		
POWER	V	230AC 50Hz	24DC		
POWER RATING	W	200	96		
VOLTAGE	A	1,1	4		
INTERMITTENCE	%	30	80		
MOTOR THERMAL PROTECTION	°C	140	-		
OPERATING TEMPERATURE	°C	-20+55	-20+55		
PROTECTION LEVEL	IP	43	43		
OPENING TIME FOR 90°	s	19	19		
SPEED	cm/s	1.66	1.66		
MAX THRUST	N	2500	2800		
TRAVEL	mm	310/340	310/340		

dimensions



preparation for standard installation



accessories

KT 201 long front bracket	KT 202 short front bracket	KT 203 long rear bracket	KT 204 short rear bracket
KT 205 3 long range bracket kit	KT 206 3 short range bracket kit	MC 778 limit switch kit with optional 2° micro for M20	MC 779 mechanical stopper kit for closure



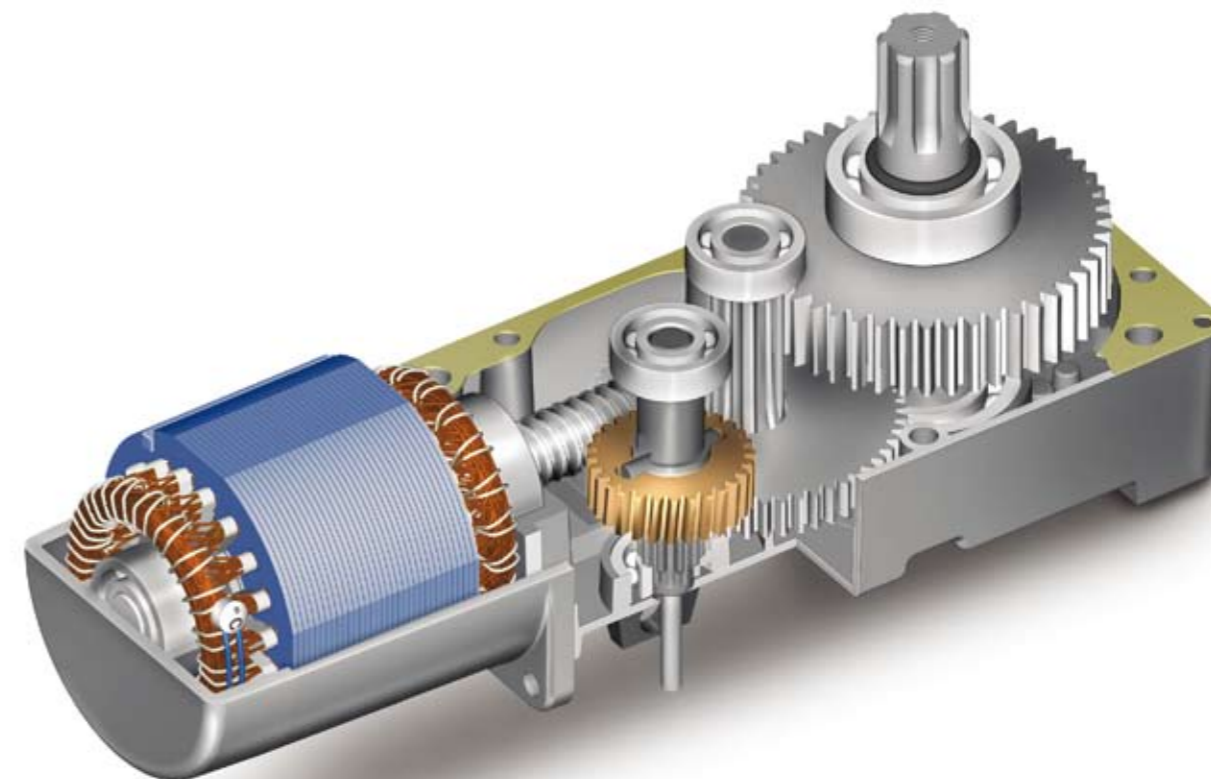
SAFE MOVEMENT

Electromechanical gear motor for residential swing gates up to 3,5 metres in length, the ideal solution for gates with large pillars, and unlocking handle with a protected, customised key to open the gate from outside with a motor cord. The main structure is made of cast aluminium and steel gears ensure constant, silent function over time.

RANGE R23 VERSIONS

R23/371	230V irreversible • mechanical limit switch • without arms
R23/372	230V irreversible • mechanical limit switch • complete with short arms std.

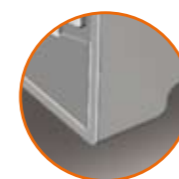
“R23 the style Roger Technology is developed according to logic”



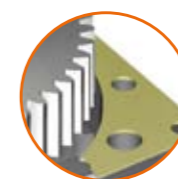
PERFECT PRECISION CENTERING
All the ball-bearing houses and the motor set are turned in order to ensure perfect, silent rotation over time.



TEMPERED STEEL
The two gears that are most used undergo a heat treatment to make them strong and hard-wearing.



ROBUST AND RELIABLE
The main structure and ball bearing housing are made of cast aluminium.



PERFECT COUPLING
The two coverings are carefully milled and coupled with an interposed packing to ensure perfect coupling and excellent grease hold.



STEEL
All gears are made of steel, mounted on ball bearings and lubricated with liquid grease, which means they operate silently and are long-lasting.



MOTOR TRANSMISSION
The movement transmission comes from a splined shaft with a UNI 221 profile, that ensures excellent mechanical coupling.



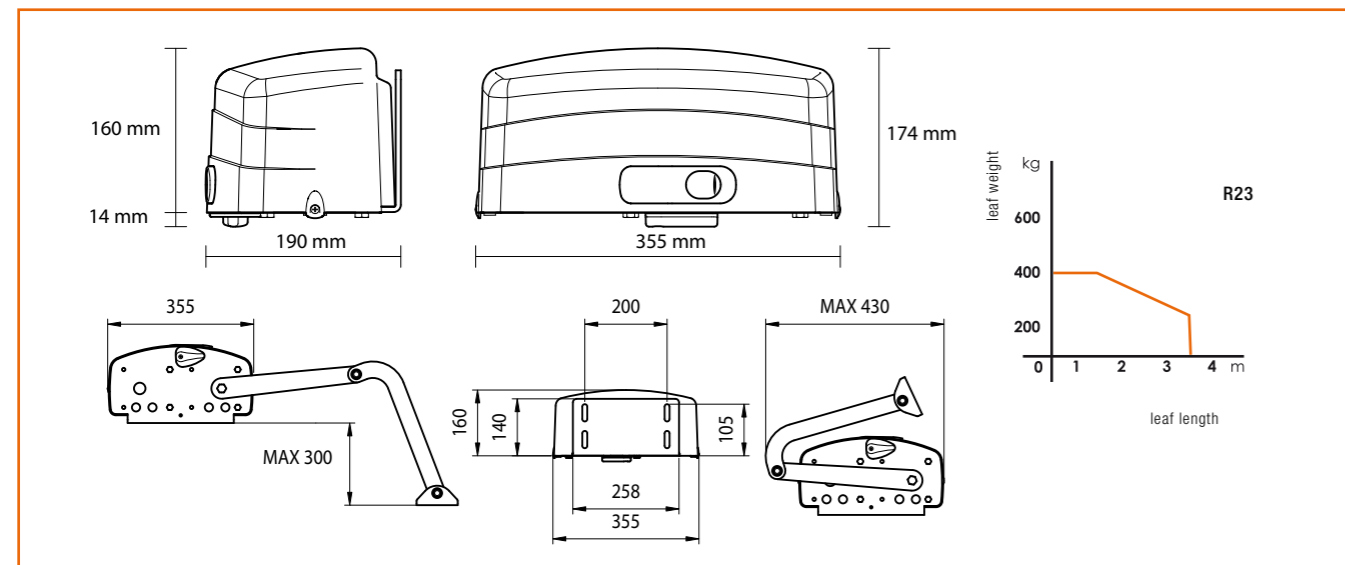
1400 PERFECT, SILENT REVOLUTIONS FOR MINUTE
2 special precision ball bearings for electric motors, with double lipped protection and lifetime lubrication with high temperature grease.

R23

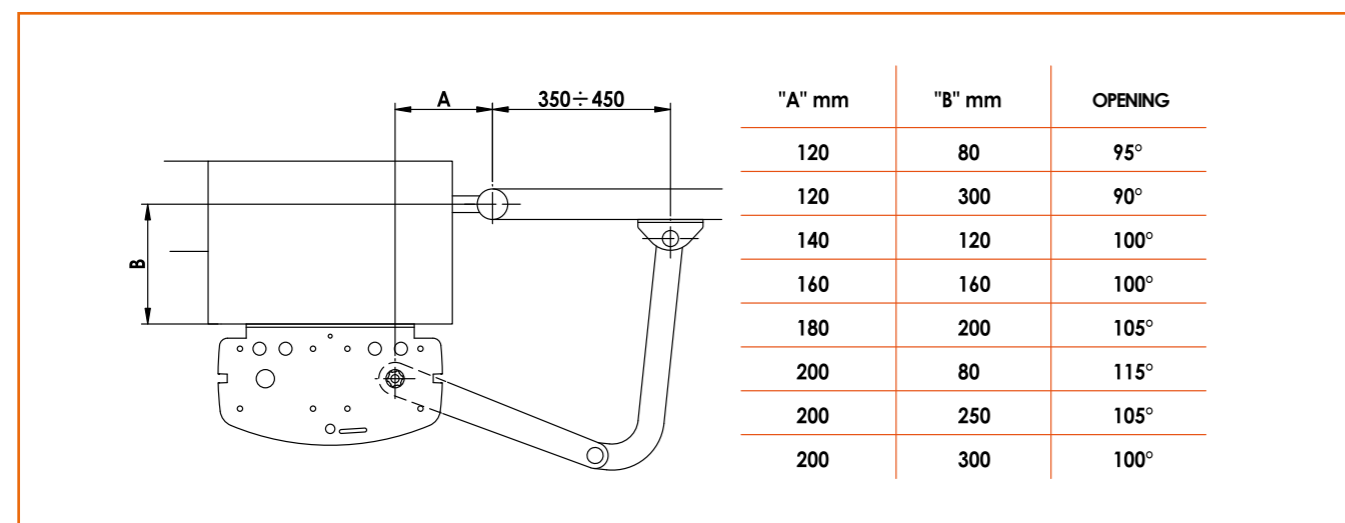
R23/371
R23/372

POWER	V	230AC 50Hz			
POWER RATING	W	200			
MAX THRUST	N	400			
PROTECTION LEVEL	IP	43			
INTERMITTENCE	%	50			
MOTOR THERMAL PROTECTION	°C	140			
OPERATING TEMPERATURE	°C	-20+55			
WEIGHT MOTOR	Kg	15,5			
OPENING TIME FOR 90°	s	14			

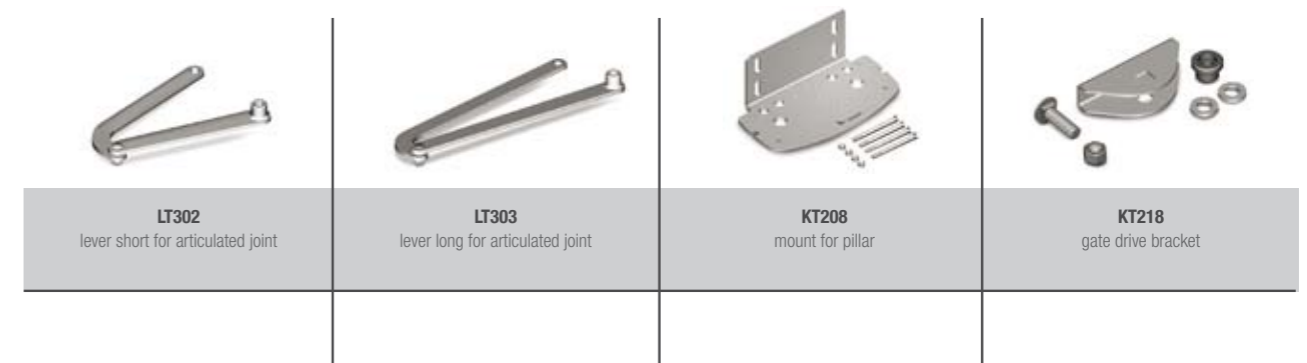
dimensions



predisposizione all'installazione standard

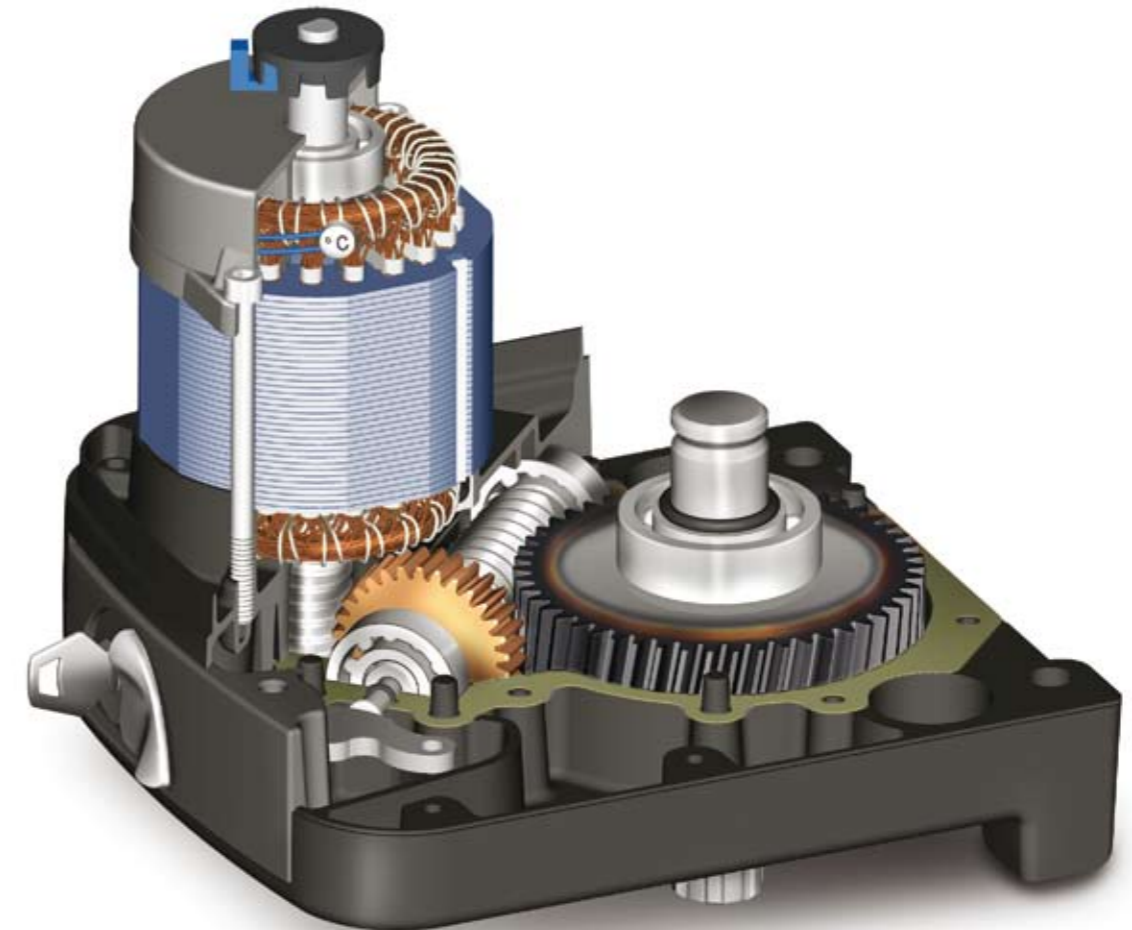


accessories





“H23 the style Roger Technology is developed according to logic”



DEEPLY SOLUTIONS

Electromechanical gear motor for residential swing gates up to 2,8 metres in length, the ideal solution for gates with large pillars, and unlocking handle with a protected, customised key to open the gate from outside with a motor cord. The main structure is made of cast aluminium and steel gears ensure constant, silent function over time.

RANGE H23 VERSION

H23/282 230V irreversible • mechanical limit switch • complete with short arms std. • optical encoder



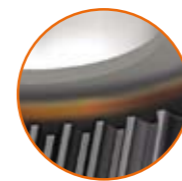
PERFECT BRONZE AND STEEL COUPLING

The bevel gear is made of bronze and the worm screw gear is made of steel, with a super finish and strengthened thread for perfect, silent coupling that is hard-wearing and long-lasting.



MOTOR TRANSMISSION

The movement transmission comes from a splined shaft with a UNI 221 profile, that ensures excellent mechanical coupling.



TEMPERED STEEL

The gear this is most used undergo a heat treatment to make them strong and hard-wearing.



ROBUST AND RELIABLE

The main structure and ball bearing housing are made of cast aluminium.



ENDLESS SCREW

Worm screw gear created in special steel with a super finish and strengthened thread.



1400 PERFECT, SILENT REVOLUTIONS FOR MINUTE

2 special precision ball-bearings for electric motors, with double lipped protection and lifetime lubrication with high temperature grease.



ALL ROUND PROTECTION

Electric motor protected by a sensitive safety thermostat.

H23

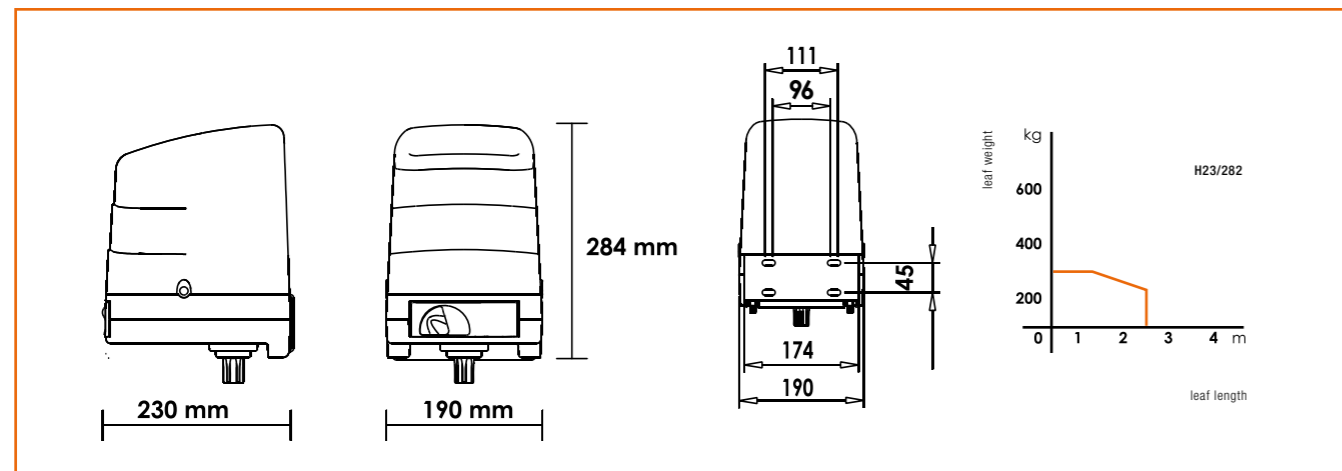
H23/282

POWER	V	230AC 50Hz			
POWER RATING	W	200			
MAX THRUST	N	300			
PROTECTION LEVEL	IP	43			
INTERMITTENCE	%	50			
MOTOR THERMAL PROTECTION	°C	140			
OPERATING TEMPERATURE	°C	-20+55			
OPENING TIME FOR 90°	s	12			

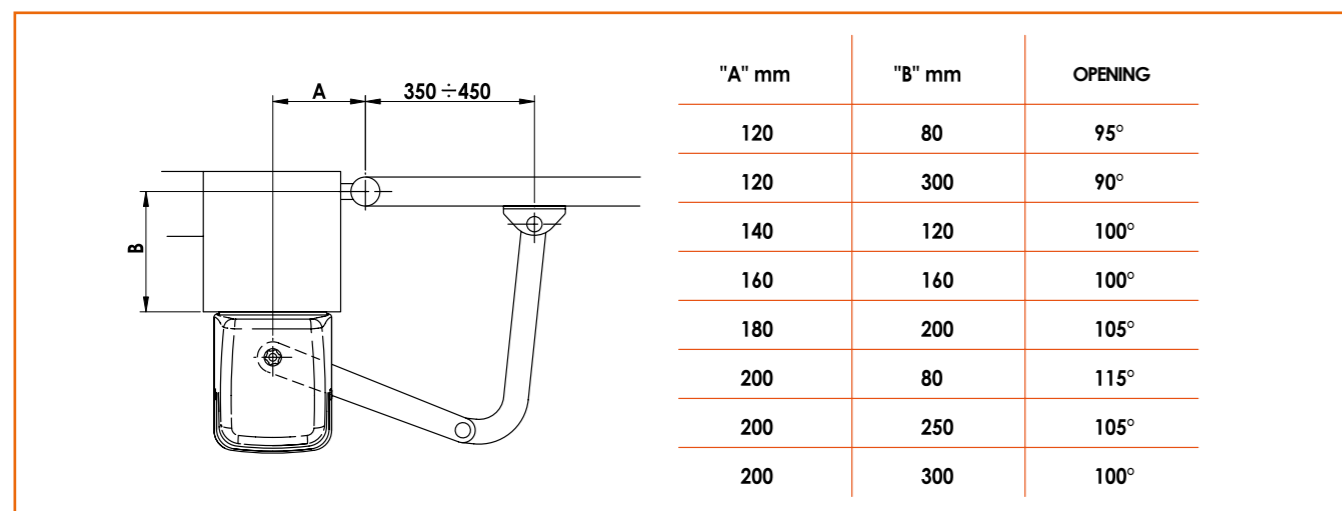
accessories

LT302 lever short for articulated joint	KT218 gate drive bracket	KT209 mount for pillar	

dimensions



preparation for standard installation





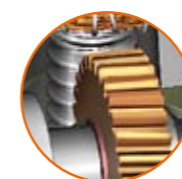
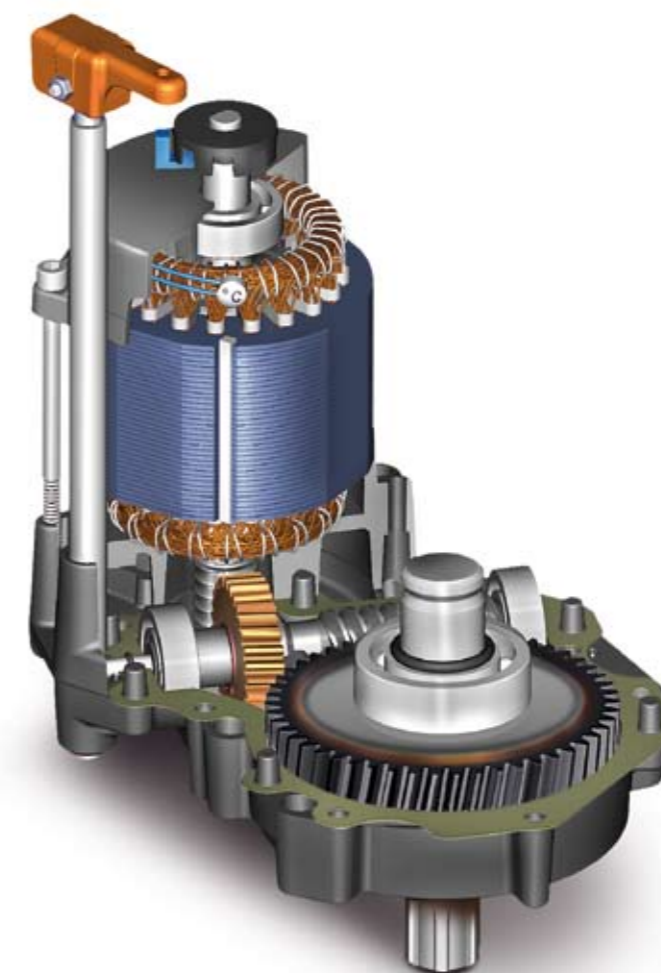
ELEGANT SOLUTIONS

Electromechanical gear motor for residential swing gates up to 2,5 metres in length, the ideal solution for gates with medium pillars and unlocking handle with a protected, customised key to open the gate from outside with a motor cord. The main structure is made of cast aluminium and steel gears ensure constant, silent function over time.

RANGE G23 VERSION

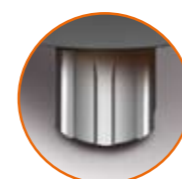
G23/251 230V irreversible • mechanical limit switch • complete with short arms std. • optical encoder

“G23 the style Roger Technology
is developed according to logic”



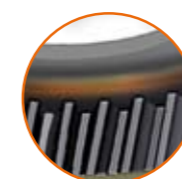
PERFECT BRONZE AND STEEL COUPLING

The bevel gear is made of bronze and the worm screw gear is made of steel, with a super finish and strengthened thread for perfect, silent coupling that is hard-wearing and long-lasting.



MOTOR TRANSMISSION

The movement transmission comes from a splined shaft with a UNI 221 profile, that ensures excellent mechanical coupling.



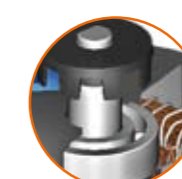
TEMPERED STEEL

The gear this is most used undergo a heat treatment to make them strong and hard-wearing.



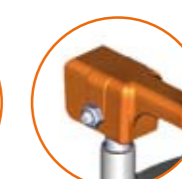
ENDLESS SCREW

Worm screw gear created in special steel with a super finish and strengthened thread.



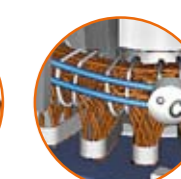
1400 PERFECT, SILENT REVOLUTIONS FOR MINUTE

2 special precision ball-bearings for electric motors, with double lipped protection and lifetime lubrication with high temperature grease.



MANUAL UNLOCKING

An elegant, accessible unlocking lever, always at hand.



ALL ROUND PROTECTION

Electric motor protected by a sensitive safety thermostat.

G23

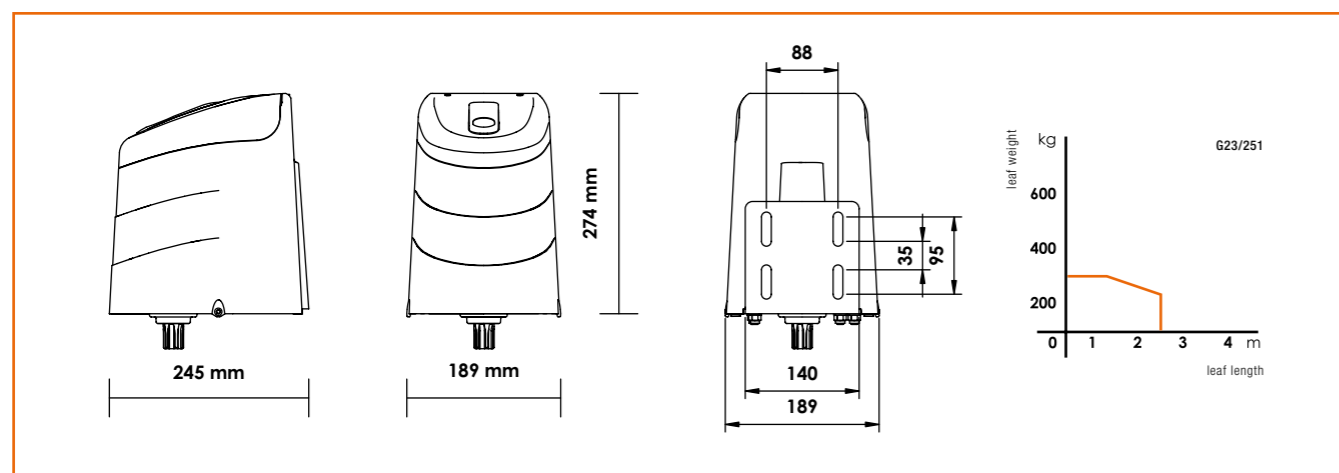
G23/251

POWER	V	230AC 50Hz			
POWER RATING	W	200			
MAX THRUST	N	300			
OPENING TIME FOR 90°	s	19			
INTERMITTENCE	%	50			
MOTOR THERMAL PROTECTION	°C	140			
OPERATING TEMPERATURE	°C	-20+55			
PROTECTION LEVEL	IP	43			
PESO OPERATORE	Kg	13,5			

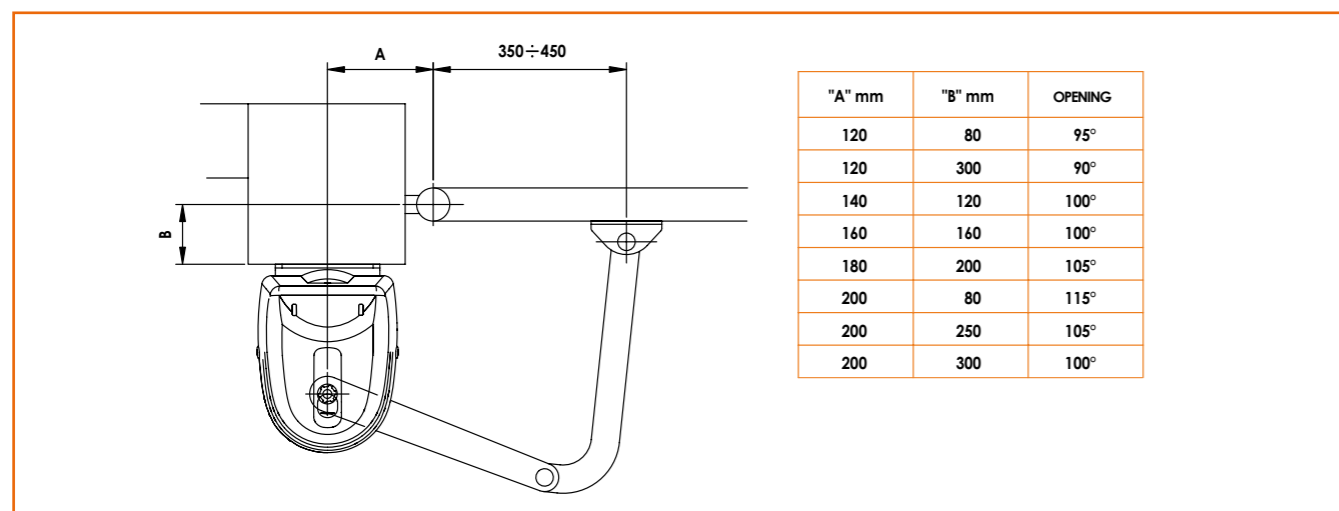
accessories

LT302 lever short for articulated joint	KT218 gate drive bracket	KT219 mount for pillar	

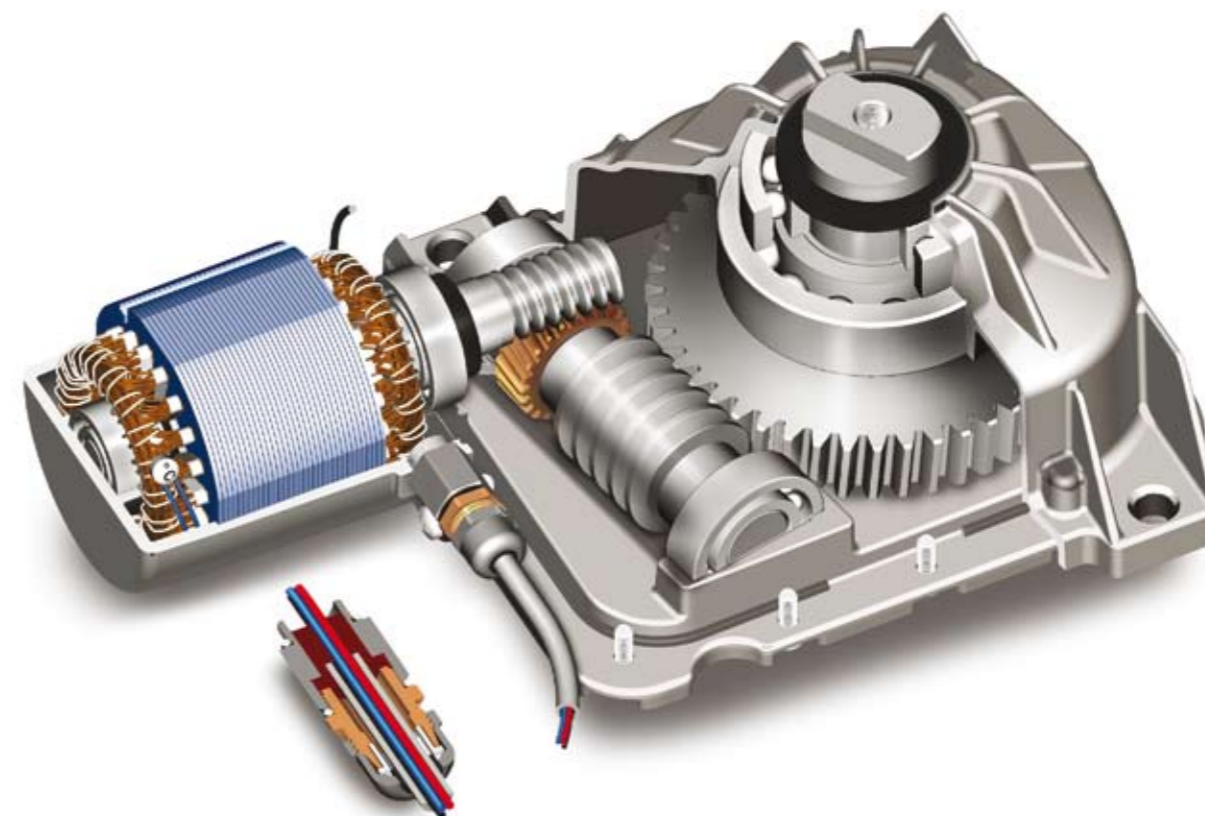
dimensions



preparation for standard installation



“R21 the style Roger Technology is developed according to logic”

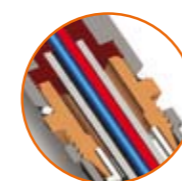


MUST BE LAID UNDERGROUND

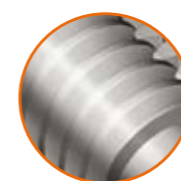
Electromechanical gear motor for swing gates up to 3,5 metres in length. The robust cast aluminium body has been structurally design to withstand the large forces it is subject to. Installed to be totally invisible inside a foundation box.

RANGE R21 VERSIONS

R21/351	230V • irreversible standard
R21/361	230V • irreversible standard • long cable 10 mt
R21/362	230V • irreversible tandem • double ball bearings • long cable 10 mt.
R21/368	230V • irreversible tandem • double ball bearings • long cable 10 mt. • slow



ONLY THE CABLE GOES THROUGH
Steel and brass cable gland sealed with epoxy resins.



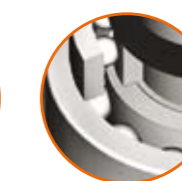
ENDLESS SCREW
Worm screw gear created in special steel with a super finish and strengthened thread.



STAINLESS
Every little detail is important, and all assembly screws are made of stainless steel.



NOT SCARED OF HARD WORK
The main 150mm diameter gear is made of spheroidal graphite cast iron which allows even the most heavy duty use.



TANDEM
A second ball bearing for those who aren't easily satisfied.



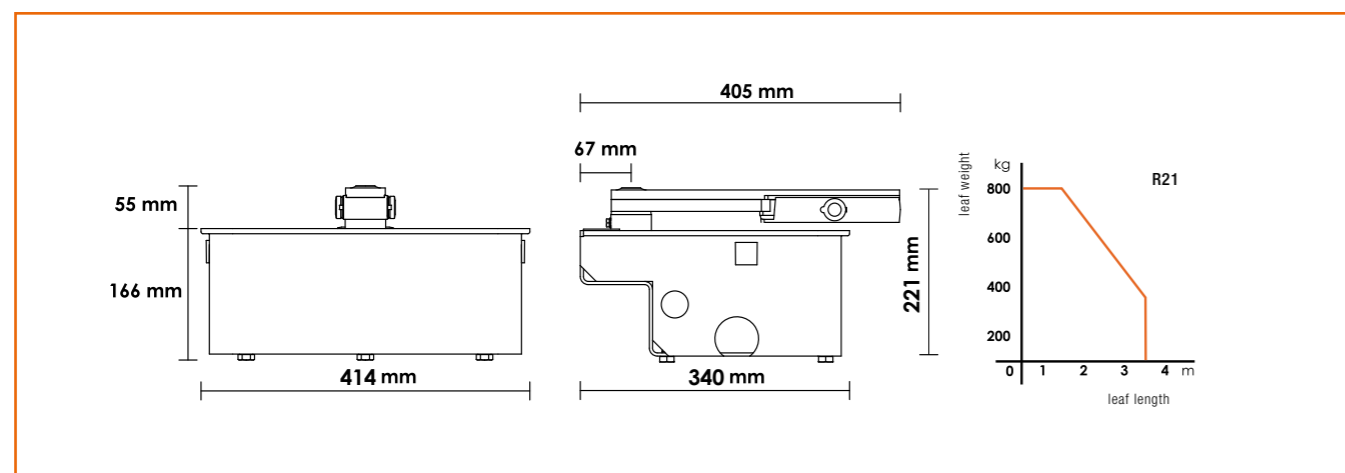
DUAL PROTECTION
Double mechanical seals guarantee a high level of protection.



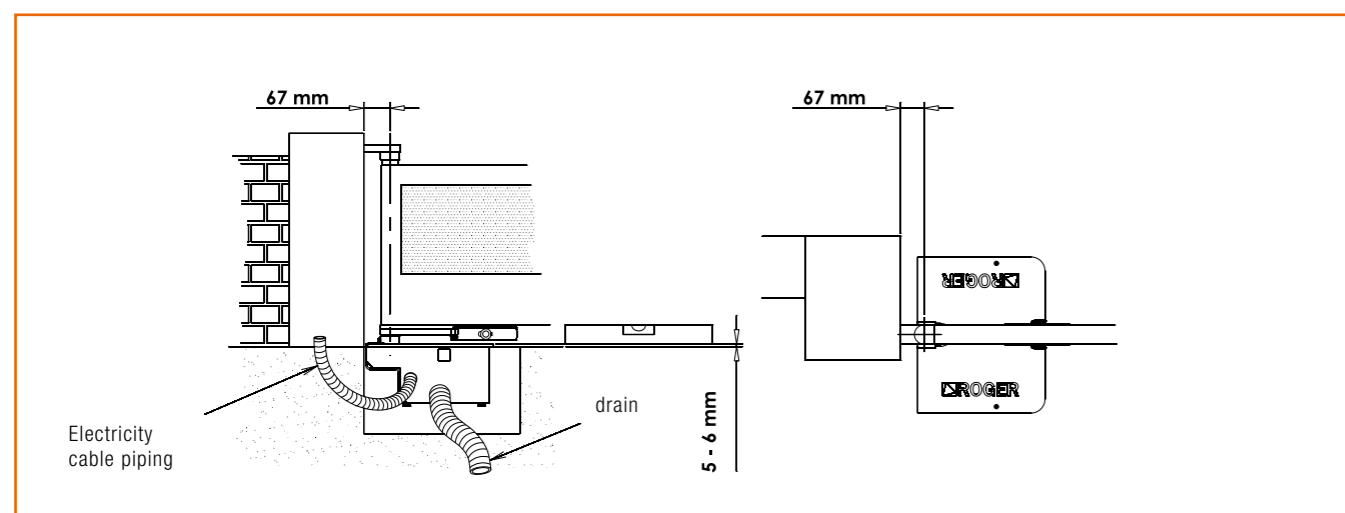
ALUMINIUM AND TITANIUM
Controlled titanium fusion allows us to obtain very compact pieces with greater water-resistance.

R21		R21/351	R21/361	R21/362	R21/368	
		230AC 50Hz	230AC 50Hz	230AC 50Hz		
POWER	V	230AC 50Hz	230AC 50Hz			
POWER RATING	W	200	180			
MAX THRUST	N	300	250			
OPENING TIME FOR 90°	s	19	29			
INTERMITTENCE	%	30	30			
MOTOR THERMAL PROTECTION	°C	140	140			
OPERATING TEMPERATURE	°C	-20+55	-20+55			
PROTECTION LEVEL	IP	67	67			
WEIGHT	Kg	13,5	13,5			

dimensions



preparation for standard installation



accessories

FU100 foundation box and cover in cold zinc plated steel	FU101 foundation box and cover in hot zinc plated steel	FU102 foundation box hot zinc plated steel and cover in stainless steel AISI 304	FU103 foundation box and cover in stainless steel AISI 304
LT300 lever group for opening up to 125°	LT301 lever group for opening up to 360°	RL650 underground unlocking system with a standard lever	RL651 underground unlocking system with key
RL652 standard unlocking lever for underground	KT207 box of standard installation accessories for R21		



KIT CONTAINS R20

- 2 motor R20/...
- 2 remote controls H80/TX22
- 1 pair of photocells R90/F1E
- 1 radio receiver H93/RX22A/I
- 1 flashing light R92/LR1
- 1 antenna for flashing light R91/AN1/LR1





TYPE OF KIT R20

- **KIT R20/310** gates up to 3 metres • short rapid 1 micro
- **KIT R20/510** gates up to 5 metres • long rapid 1 micro



AUTOMATIC SYSTEM FOR SECTIONAL DOORS

There are 4 versions of Roger Technology automatic systems for sectional doors, with 650N motors and 1000N motors, that can open doors weighing up to 100 kg. The motor has a chain drive and all have hard-wearing, 3/4 metre aluminium runners.

- 
H40 P_70
- 
R40 P_74
- 
M40 P_78
- 
G40 P_82

“H40 the style Roger Technology is developed according to logic”

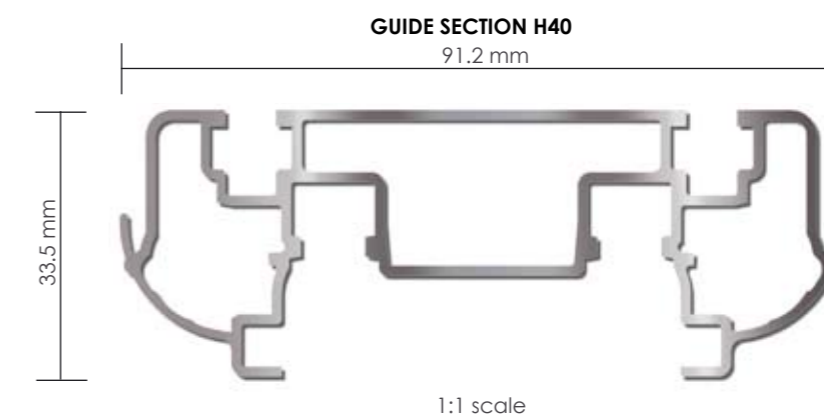


THE IDEAL SOLUTION FOR SECTIONAL RESIDENTIAL DOORS

Electromechanical chain system, for residential sectional and overhead doors. Exclusive, robust aluminium edging protects and guides the chain so that it functions silently and is long-lasting.

RANGE H40 VERSIONS

R40/654	230V • control unit with support and accessories for range H40 • without motor
H40/G3065M	long chain guide 3 metres • with motor 650 N
H40/G4065M	long chain guide 4 metres • with motor 650 N



RELIABLE RETURN
Return system with a chrome-plated steel pulley, complete with ball bearings and support pin in tempered, rectified steel.



EMERGENCY UNLOCKING
Drive carriage complete with unlocking lever that allows the lock to be opened manually in case of emergency.



OPENING STOPPER
Adjustable mechanical opening stopper, indispensable for the positioning system and encoder safety.



POWERFUL, CONTROLLED GEAR MOTOR
Encoder controller gear motor 24Vcc, guarantees efficient positioning and safety system.



SLIM AND ROBUST
Robust extruded aluminium guide designed to guide the chain.



TOTAL POWER TRANSMISSION
Pre-tensioned tempered steel chain guaranteed to continue to work properly and be long lasting.

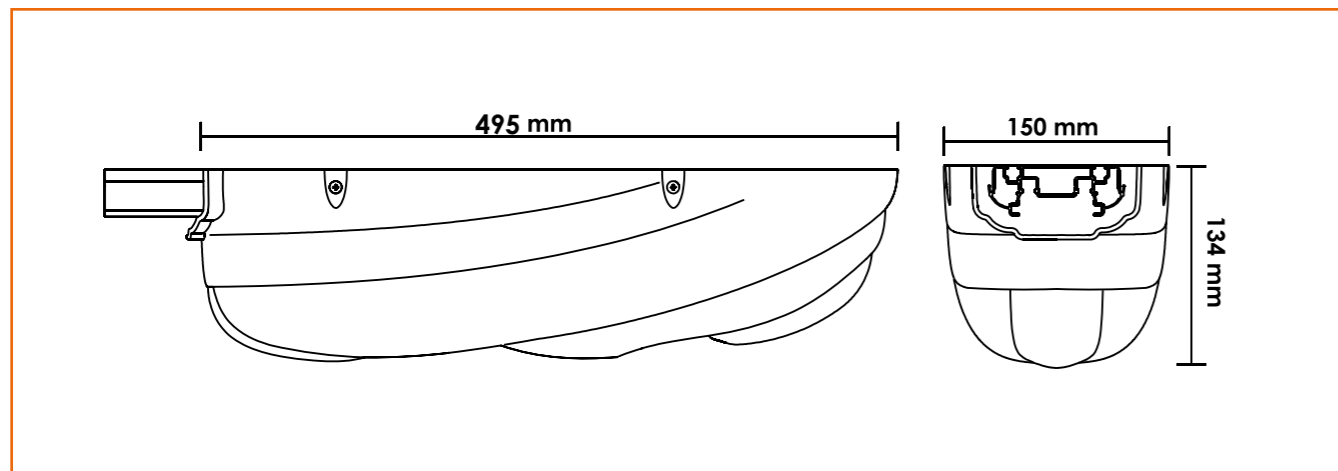
H40

H40

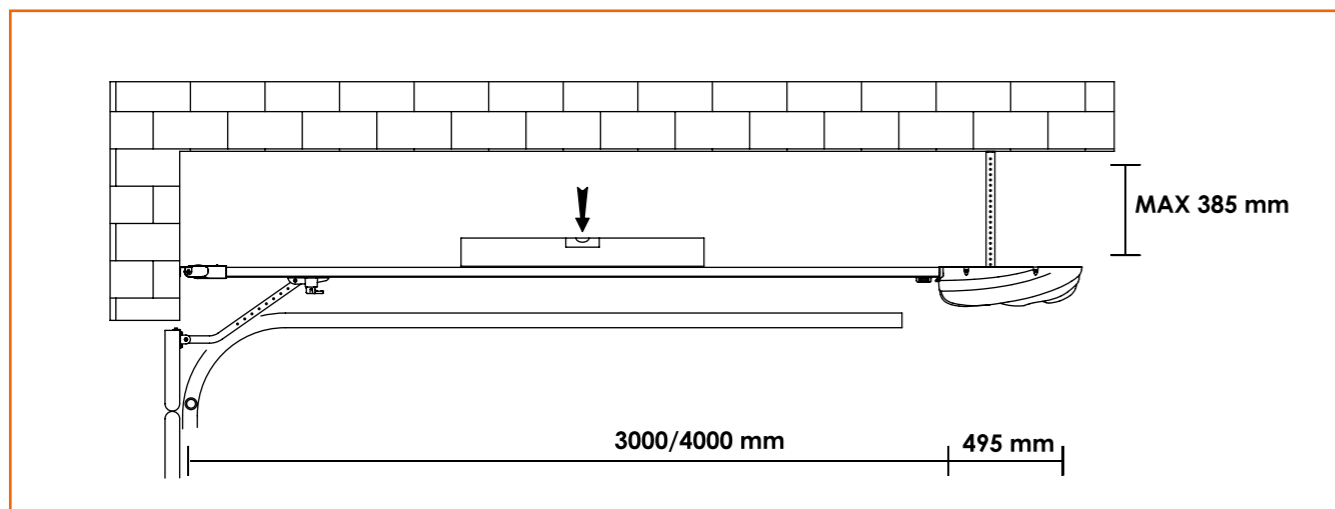
R40/654

POWER	V	230AC 50Hz			
LINE ABSORPTION	A	1,1			
MAX THRUST	N	650			
INTERMITTENCE	%	50			
OPERATING TEMPERATURE	°C	-20+55			
PROTECTION LEVEL	IP	40			
LOW SPEED	cm/s	9			
STANDARD SPEED	cm/s	12			
HIGH SPEED	cm/s	15			
POWER RATING ABSORBED	W	200			

dimensions



preparation for standard installation



accessories



RL654
external unlocking kit
without handle



RL655
external unlocking kit
with handle



MC776
mechanical stopper kit



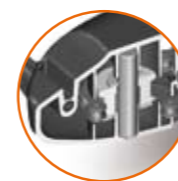
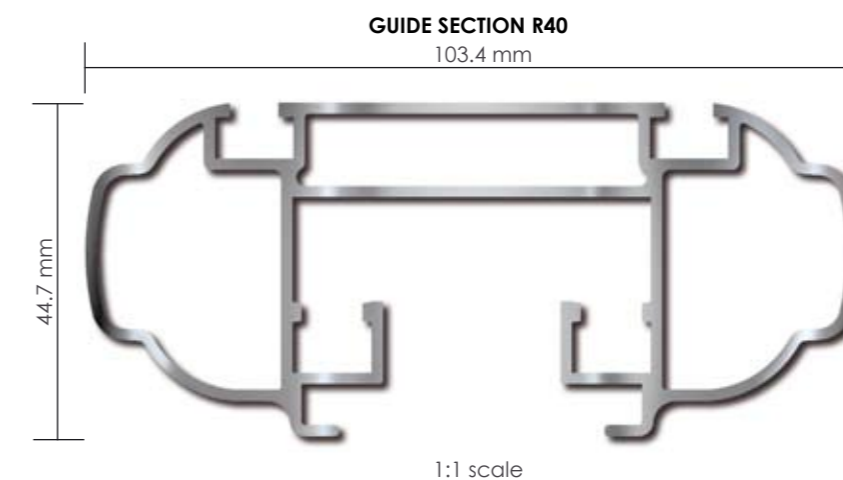
STURDY DRIVE SYSTEM

Electromechanical chain system, for residential sectional and overhead doors. Exclusive, robust aluminium edging protects and guides the chain so that it functions silently and is long-lasting.

RANGE R40 VERSIONS

R40/654	230V • control unit with support and accessories for range H40 • without motor
R40/G3065M	long chain guide 3 metres • with motor 650 N
R40/G4065M	long chain guide 4 metres • with motor 650 N

“R40 the style Roger Technology is developed according to logic”



RELIABLE RETURN

Return system with a chrome-plated steel pulley, complete with ball bearings and support pin in tempered, rectified steel.



EMERGENCY UNLOCKING

Drive carriage complete with unlocking lever that allows the lock to be opened manually in case of emergency.



OPENING STOPPER

Adjustable mechanical opening stopper, indispensable for the positioning system and encoder safety.



POWERFUL, CONTROLLED GEAR MOTOR

Encoder controller gear motor 24Vcc, guarantees efficient positioning and safety system.



I DON'T BEND

Additional ball bearing to support the motor gear shaft and guarantee it continues to work properly over time.



ROBUST AND INFLEXIBLE

Robust extruded aluminium guide designed to guide and protect the completely invisible chain.



TOTAL POWER TRANSMISSION

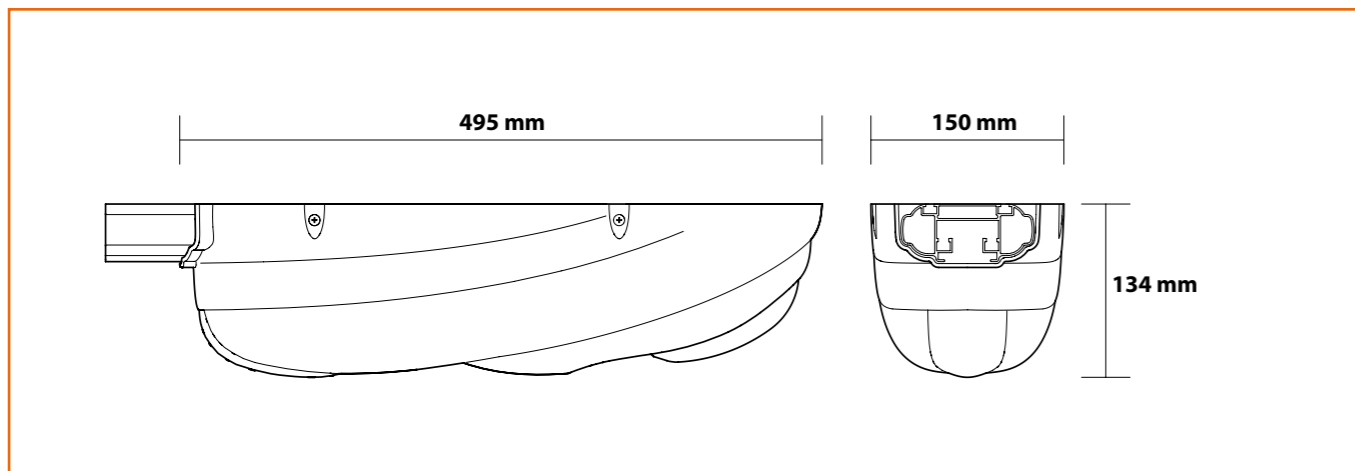
Pre-tensioned tempered steel chain guaranteed to continue to work properly and be long lasting.

R40

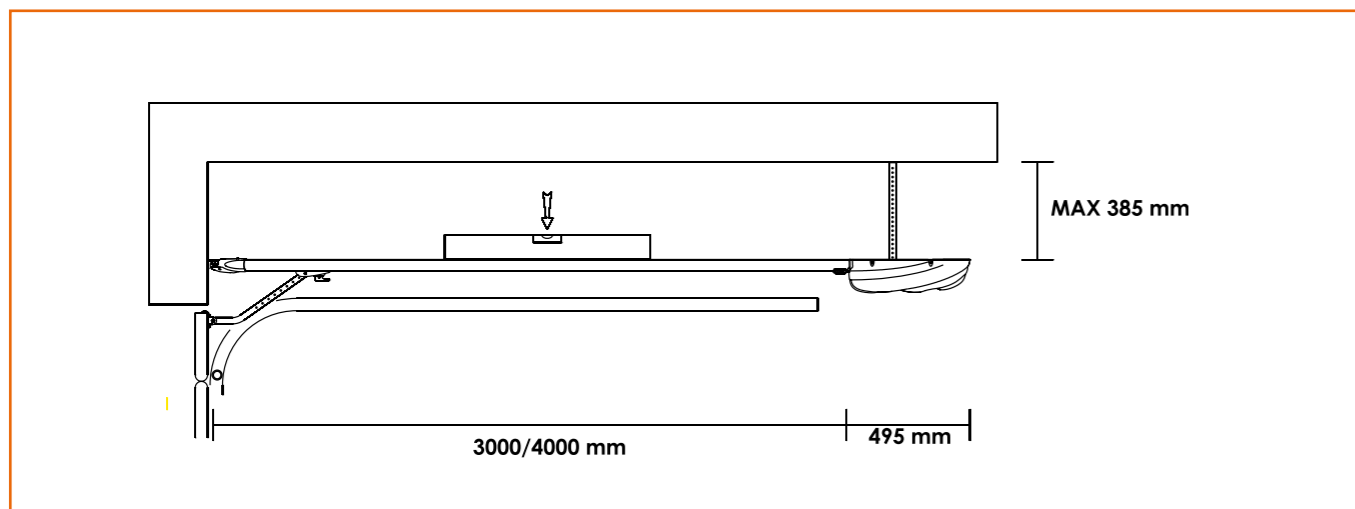
R40/654

POWER	V	230AC 50Hz			
LINE ABSORPTION	A	1,1			
MAX THRUST	N	650			
INTERMITTENCE	%	50			
OPERATING TEMPERATURE	°C	-20+55			
PROTECTION LEVEL	IP	40			
LOW SPEED	cm/s	9			
STANDARD SPEED	cm/s	12			
HIGH SPEED	cm/s	15			
POWER RATING ABSORBED	W	200			

dimensions



preparation for standard installation



accessories



RL654
external unlocking kit
without handle



RL655
external unlocking kit
with handle



MC777
mechanical stopper
kit



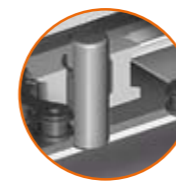
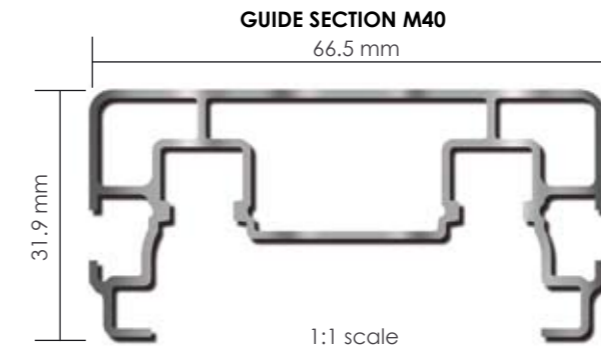
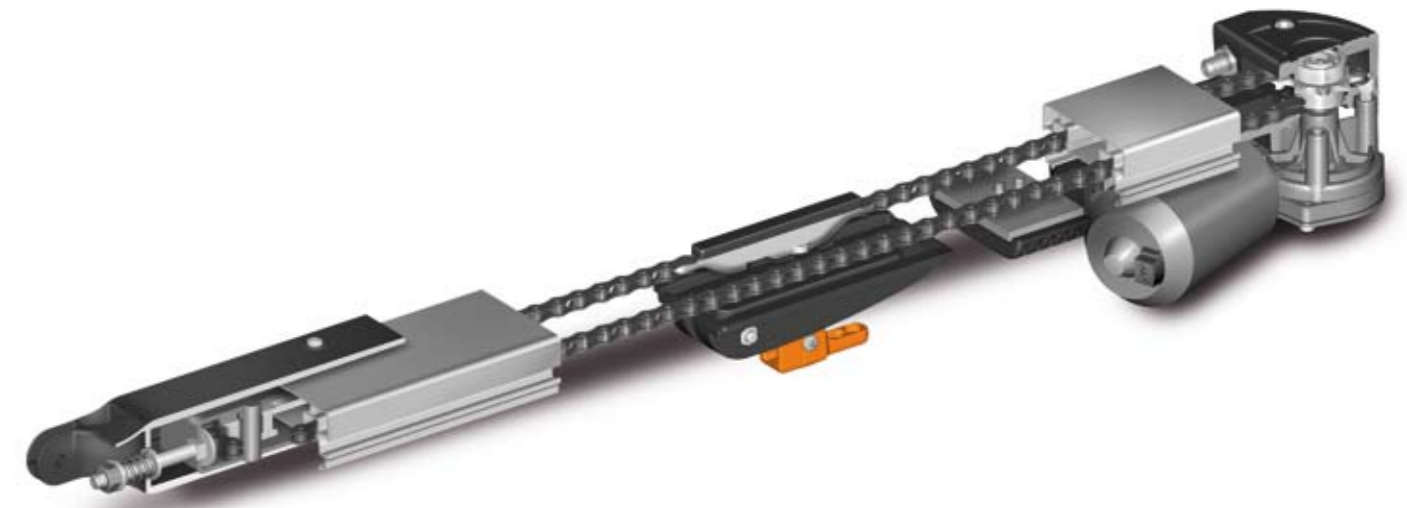
THE IDEAL SOLUTION FOR SECTIONAL RESIDENTIAL DOORS

Electromechanical chain system, for residential sectional doors. Exclusive, robust aluminium edging protects and guides the chain so that it functions silently and is long-lasting.

RANGE M40 VERSIONS

M40/654	230V • control unit with support and accessories for range M40 • without motor
M40/G3065M	long chain guide 3 metres • with motor 650 N

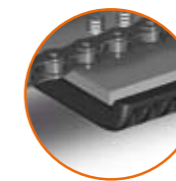
“M40 the style Roger Technology is developed according to logic”



RELIABLE RETURN
Return system with a chrome-plated steel pulley, complete with ball bearings and support pin in tempered, rectified steel.



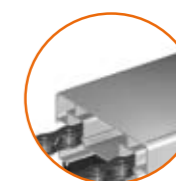
EMERGENCY UNLOCKING
Drive carriage complete with unlocking lever that allows the lock to be opened manually in case of emergency.



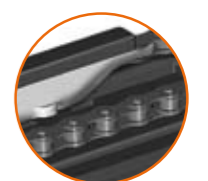
OPENING STOPPER
Adjustable mechanical opening stopper, indispensable for the positioning system and encoder safety.



POWERFUL, CONTROLLED GEAR MOTOR
Encoder controller gear motor 24Vcc, guarantees efficient positioning and safety system.



SLIM AND ROBUST
Robust extruded aluminium guide designed to guide the chain.



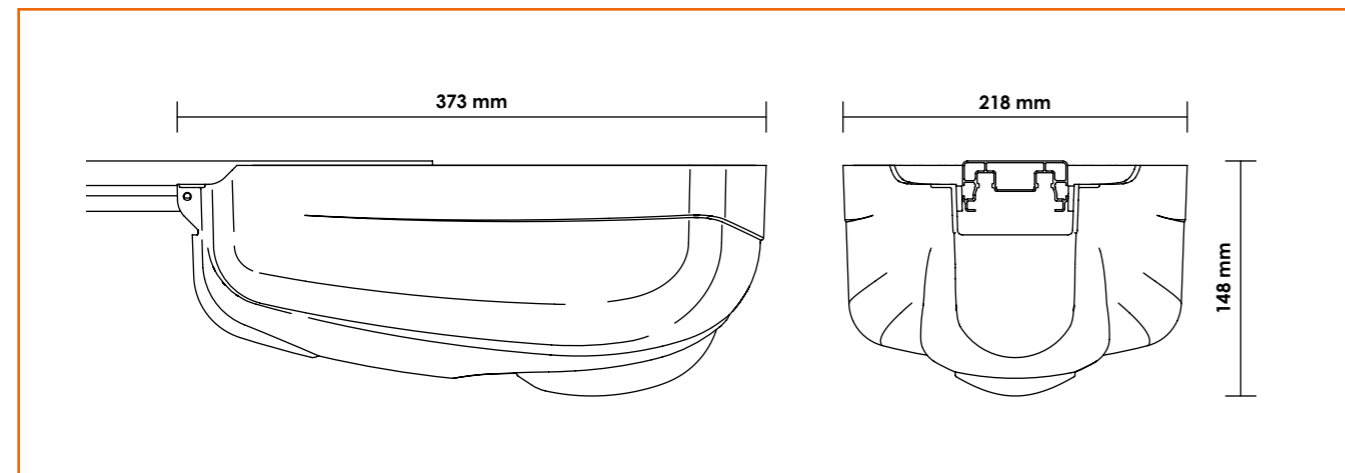
TOTAL POWER TRANSMISSION
Pre-tensioned tempered steel chain guaranteed to continue to work properly and be long lasting.

M40

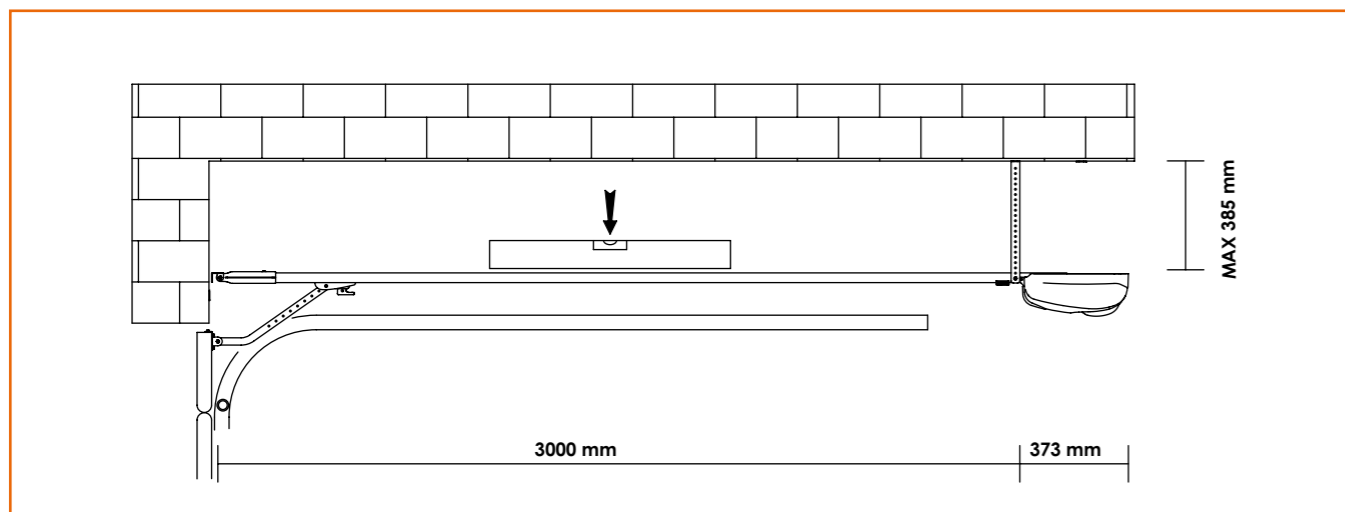
M40/654

POWER	V	230AC 50Hz			
LINE ABSORPTION	A	1,1			
MAX THRUST	N	650			
INTERMITTENCE	%	50			
OPERATING TEMPERATURE	°C	-20+55			
PROTECTION LEVEL	IP	40			
LOW SPEED	cm/s	9			
STANDARD SPEED	cm/s	12			
HIGH SPEED	Kg	15			
POWER RATING ABSORBED	W	200			

dimensions



preparation for standard installation



accessories



RL654
external unlocking kit
without handle



RL655
external unlocking kit
with handle



MC776
mechanical stopper
kit



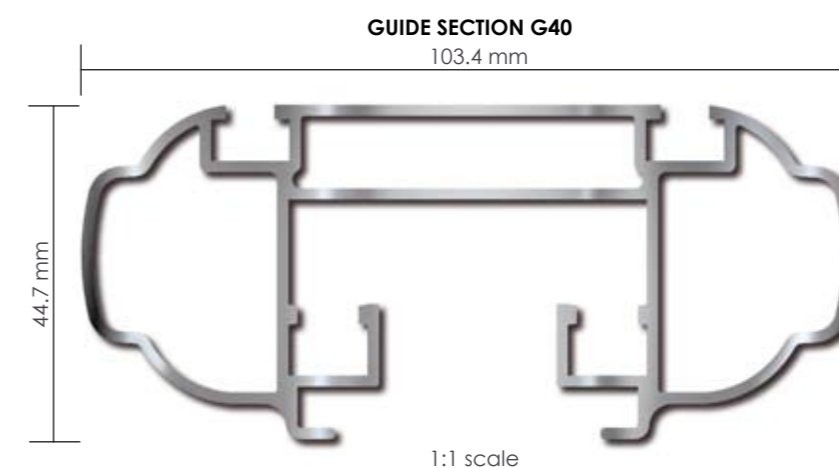
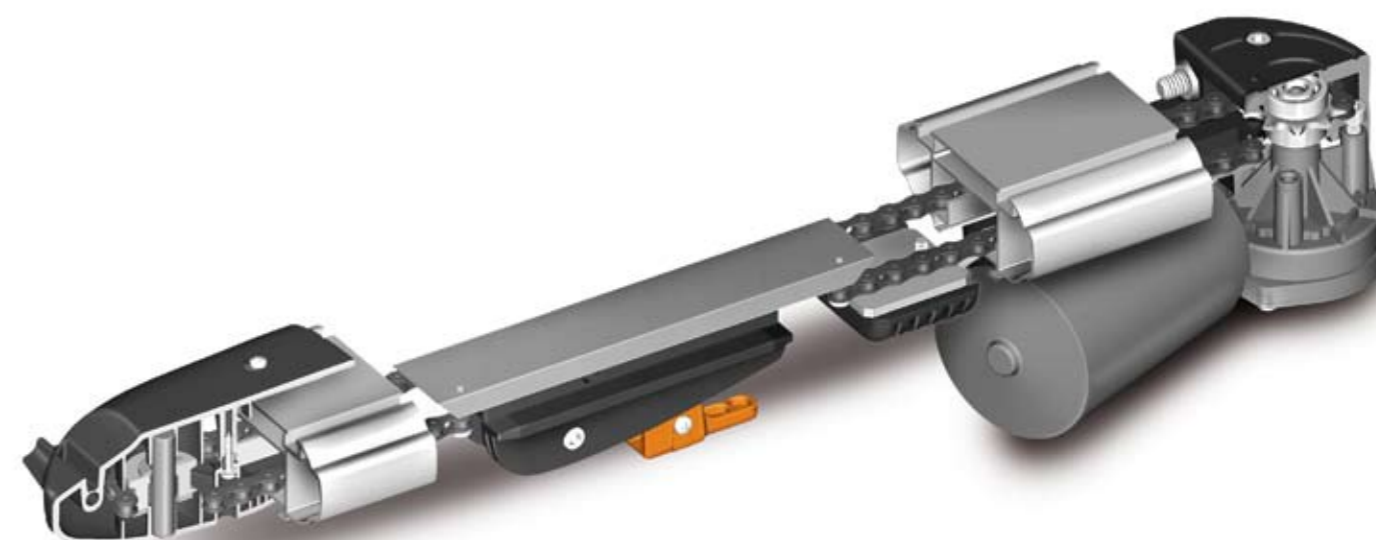
STURDY DRIVE SYSTEM

Electromechanical chain system, for residential sectional doors. Exclusive, robust aluminium edging protects and guides the chain so that it functions silently and is long-lasting.

RANGE G40 VERSIONS

G40/1004	230V • control unit with support and accessories for range G40 • without motor
R40/G3100M	long chain guide 3 metres • with motor 1000 N
R40/G4100M	long chain guide 4 metres • with motor 1000 N

“G40 the style Roger Technology is developed according to logic”



RELIABLE RETURN

Return system with a chrome-plated steel pulley, complete with ball bearings and support pin in tempered, rectified steel.



EMERGENCY UNLOCKING

Drive carriage complete with unlocking lever that allows the lock to be opened manually in case of emergency.



OPENING STOPPER

Adjustable mechanical opening stopper, indispensable for the positioning system and encoder safety.



POWERFUL, CONTROLLED GEAR MOTOR

Encoder controller gear motor 24Vcc, guarantees efficient positioning and safety system.



I DON'T BEND

Additional ball bearing to support the motor gear shaft and guarantee it continues to work properly over time.



ROBUST AND INFLEXIBLE

Robust extruded aluminium guide designed to guide and protect the completely invisible chain.



TOTAL POWER TRANSMISSION

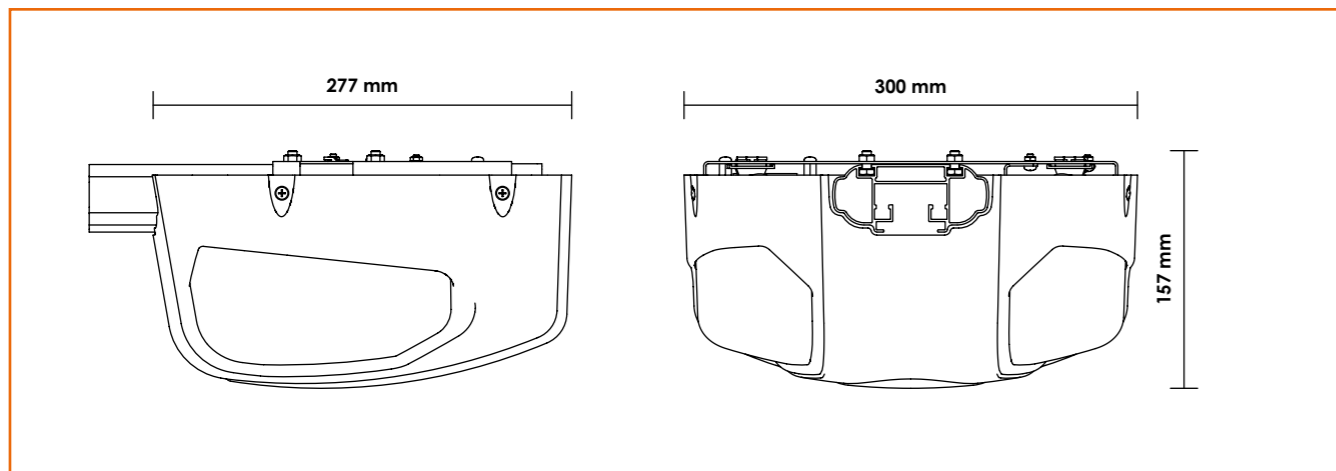
Pre-tensioned tempered steel chain guaranteed to continue to work properly and be long lasting.

G40

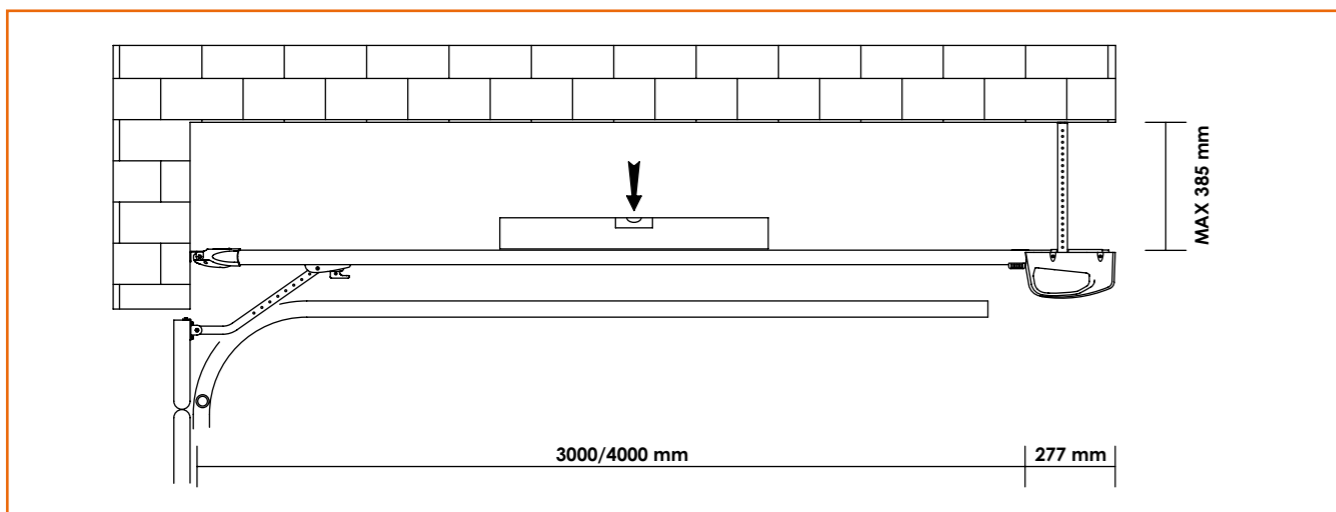
G40/1004

POWER	V	230AC 50Hz			
LINE ABSORPTION	A	1,1			
MAX THRUST	N	1000			
INTERMITTENCE	%	50			
OPERATING TEMPERATURE	°C	-20+55			
PROTECTION LEVEL	IP	40			
LOW SPEED	cm/s	9			
STANDARD SPEED	cm/s	12			
HIGH SPEED	cm/s	15			
POWER RATING ABSORBED	W	200			

dimensions



preparation for standard installation



accessories



RL654
external unlocking kit
without handle



RL655
external unlocking kit
with handle



MC777
mechanical stopper
kit



AUTOMATIC SYSTEMS FOR **OVERHEAD DOORS**

Roger Technology automatic systems for overhead doors allow you to easily open residential garage and condominium doors of up to 8 m².



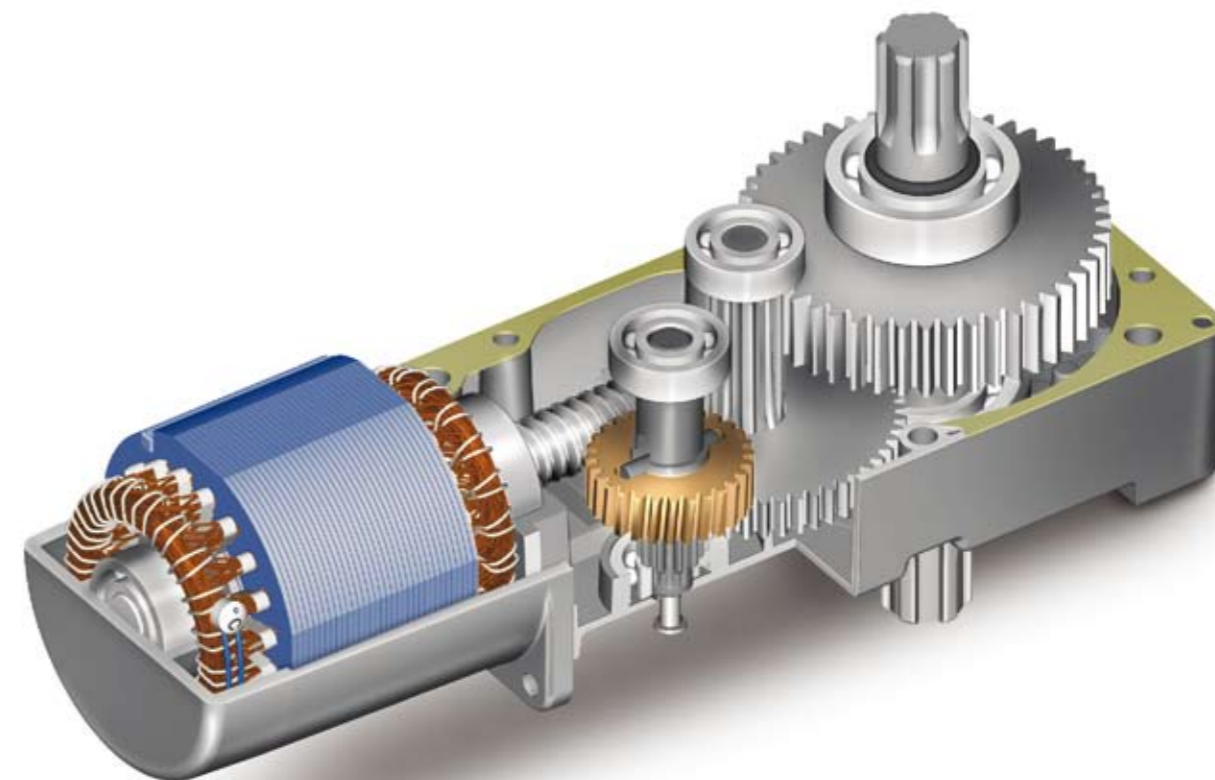
R41 P_88



COMPACT ELECTROMECHANICAL SYSTEM

Electromechanical gear motor ideal for overhead doors up to 8 m², with a chrome-plated metal unlocking handle for opening the door from the inside and designed for opening from the outside. The main structure, is made of cast aluminium and steel gears ensure constant, silent function over time.

“R41 the style Roger Technology
is developed according to logic”



RANGE R41 VERSIONS

R41/830	230V • irreversible • rapid • without control unit • mechanical limit switch
R41/831	230V • optical encoder • irreversible • rapid • with control unit • mechanical limit switch
R41/832	230V • irreversible • slow • without control unit • mechanical limit switch
R41/833	230V • optical encoder • irreversible • slow • with control unit • mechanical limit switch



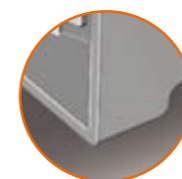
PERFECT PRECISION CENTERING

All the ball-bearing houses and the motor set are turned in order to ensure perfect, silent rotation over time.



TEMPERED STEEL

The two gears that are most used undergo a heat treatment to make them strong and hard-wearing.



ROBUST AND RELIABLE

The main structure and ball bearing housing are made of cast aluminium.



PERFECT COUPLING

The two coverings are carefully milled and coupled with an interposed packing to ensure perfect coupling and excellent grease hold.



STEEL

All gears are made of steel, mounted on ball bearings and lubricated with liquid grease, which means they operate silently and are long-lasting.



MOTOR TRANSMISSION

The movement transmission comes from a splined shaft with a UNI 221 profile, that ensures excellent mechanical coupling.

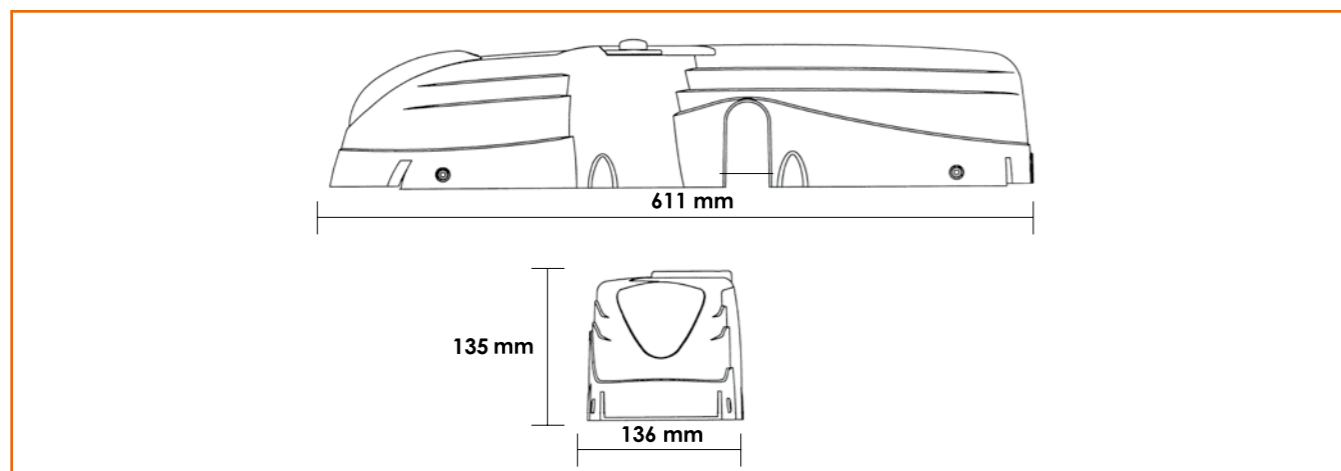


1400 PERFECT, SI- LENT REVOLUTIONS FOR MINUTE

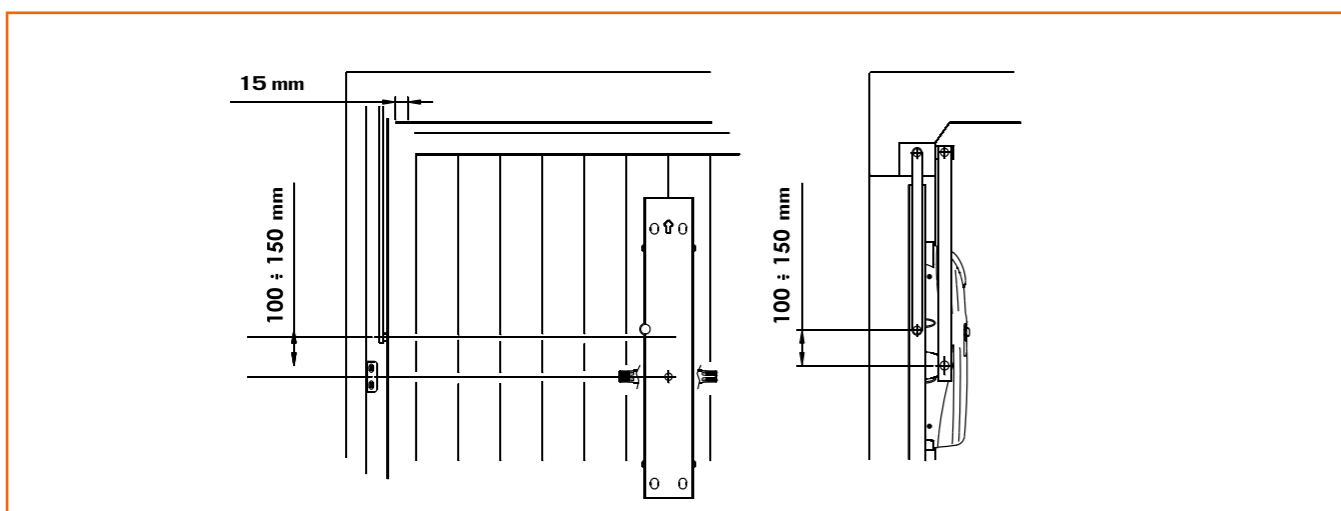
2 special precision ball-bearings for electric motors, with double lipped protection and lifetime lubrication with high temperature grease.

R41		R41/830 R41/831	R41/832 R41/833			
POWER	V	230AC 50Hz	230AC 50Hz			
POWER RATING	A	200	180			
MAX THRUST	N	380	250			
INTERMITTENCE	%	40	30			
MOTOR THERMAL PROTECTION	°C	140	140			
OPERATING TEMPERATURE	°C	-20+55	-20+55			
PROTECTION LEVEL	IP	40	40			
WEIGHT	Kg	10	10			
MAX LOAD SIZE	Mq	8	8			

dimensions



preparation for standard installation



accessories

KT216 support bracket L 619 mm	KT217 mounting bracket L 2000 mm	LT304 short telescopic arm 600mm with grooved bush and brackets for welding	LT305 long telescopic arm 800mm with grooved bush and brackets for welding
LT306 transmission drive shaft L 200 mm with support	LT307 transmission drive shaft L 1500 mm with support	LT308 transmission drive shaft L 2000 mm with support	RL653 kit for external unlocking with key with extension
RL656 kit for external unlocking with key	RL657 kit for external unlocking without handle	LT309 short telescopic arm 600 mm with cylindrical bush and brackets for welding	LT310 long telescopic arm 800 mm with cylindrical bush and brackets for welding
LT311 short telescopic arm 600 mm and brackets for welding	LT312 long telescopic arm 800 mm and brackets for welding	LT313 grooved bush for welding	



CONTROL UNITS

Roger Technology control units, allow you to expertly manage all our one and two-motor automated systems, in full compliance with safety regulations and with a wide range of programmable functions.



H70/103AC P_94



H70/200AC P_96



VERSATILITY AT YOUR COMMAND

Visualise entrances and modify parameters through a highly luminous display. Soft-start and slow down before the gate stops. Flashing open gate sensor can be programmed in 4 modes. The set-up can be protected with a password. The standard set-up can be reset. Display number of manoeuvres carried out.

RANGE CONTROL UNITS VERSIONS

H70/103AC	single motor control panel • alternating current 230V
H70/100AC	single motor control panel • alternating current 230V • universal

H70/103AC H70/100AC

POWER	230 V ac +/- 10% 50 Hz
N° MOTORS ACTIVATED	1
MAX MOTOR POWER	800 W
MAX FLASHING LIGHT CHARGE	contact free of max voltage 230Vac 2A
MAX COURTESY LIGHT CHARGE	contact free of max voltage 230Vac 2A
MAX POWER GATE OPEN LIGHT	2 W 24 V cc
MAX VOLTAGE ACCESSORIES OUTPUT	300mA 24 V cc
OPERATING TEMPERATURE	-10 + 55 °C
TORQUE ADJUSTMENT	a TRIAC
SPEED REGULATION	a TRIAC

INPUTS

- OPEN
- CLOSE
- PEDESTRIAN
- CLOCK
- STEP BY STEP
- STOP
- SAFETY EDGE 1
- SAFETY EDGE 2
- GROUP PHOTOCELL 1
- GROUP PHOTOCELL 2
- MECHANICAL UNLOCK
- OPENING LIMIT SWITCH
- CLOSING LIMIT SWITCH
- ENCODER

OUTPUTS

- GATE OPEN SENSOR
- ACCESSORY POWER SUPPLY 24VCC
- FLASHING LIGHT CONTACT FREE OF VOLTAGE
- COURTESY LIGHT CONTACT FREE OF VOLTAGE
- MOTOR
- CONDENSER

PROGRAMMABLE FUNCTIONS

- AUTOMATIC RECLOSURE
- RECLOSURE AFTER BLACK-OUT
- CONDOMINIUM STEP BY STEP
- PRE-FLASHING TIME
- MAN PRESENT
- LEARNING THE LENGTH OF THE MOVEMENT RANGE AND AUTOMATIC OR MANUAL SLOWDOWN
- LENGTH OF PEDESTRIAN OPENING
- PAUSE TIME UP TO 9 MINUTES
- FORCE DURING NORMAL MOVEMENT AND IN SLOWDOWN
- DURATION AND FORCE OF SURGE
- FORCE OF ACCELERATION AND INVERSION TIME CAUSED BY SAFETY INTERVENTION
- SOFT-START
- RELEASE THRUST
- JAM PROTECTION SENSITIVITY
- PHOTOCELL BEHAVIOUR
- OPENING OR CLOSURE WITH PASSAGE ON PHOTOCELLS
- DURING STOP, INDEPENDENT ENABLES ON LIMIT SWITCH, PHOTOCELL, STOP, INVERSION
- RIGHT OR LEFT MOTOR
- SAFETY EDGE (SWITCH 0 RESISTIVE)
- ASSIGNING TWO RADIO CHANNELS
- A SPECIFIC FUNCTION
- FLASHING LIGHT INTERMITTENCY
- DURATION OF COURTESY LIGHT



DUAL FUNCTION

Control unit for 2 motors to 230Vac, with showing entrances and modify parameters through a highly luminous display, dual function, **simplified** mode (for rapid management of a few set-ups) or **full** mode (with the possibility of choosing all function parameters). The set-up can be protected with a password. Opening and closure can be programmed by using the single PROG button. Soft-start and slow down before gate stops, test mode for system self-diagnosis. Function that controls working times and step-by-step guided opening and closure programming on the display. Encoder function and completely automatic opening and closure programming. Photocell auto test before every manoeuvre. Flashing open gate sensor can be programmed in 4 modes. The standard set-up can be reset and manoeuvres carried out can be displayed.

VERSION

H70/200AC control panel for 2 motors • 230V • plastic container

H70/200AC

POWER	230 V ac +/- 10% 50 Hz
N° MOTORS ACTIVATED	2
MAX POWER FOR MOTOR	500 W
MAX FLASHING LIGHT CHARGE	40 W 230Vac - 25W 24Vac
MAX COURTESY LIGHT CHARGE	100W 230Vac - 40W 24Vac
MAX ELECTRIC LOCK CHARGE	60W 230Vac - 25W 12Vac
MAX POWER GATE OPEN LIGHT	2W 24Vac
MAX VOLTAGE ACCESSORIES OUTPUT	450mA 24Vac (10W)
OPERATING TEMPERATURE	-10+55 °C
TORQUE ADJUSTMENT	a TRIAC
SPEED REGULATION	a TRIAC

PROGRAMMABLE FUNCTIONS

AUTOMATIC RECLOSURE
 RECLOSURE AFTER BLACK-OUT
 CONDOMINIUM STEP BY STEP
 PRE-FLASHING TIME
 MAN PRESENT
 LEARNING THE LENGTH OF THE MOVEMENT RANGE AND AUTOMATIC OR MANUAL SLOWDOWN
 LENGTH OF PEDESTRIAN OPENING
 MAXIMUM OPERATING TIME 99 SECONDS
 PAUSE TIME UP 0-9 MINUTES
 PROGRAMMABLE DISPLACEMENT DURING OPENING OR CLOSING
 FORCE DURING NORMAL MOVEMENT AND IN SLOWDOWN
 DURATION AND FORCE OF SURGE
 FORCE OF ACCELERATION AND INVERSION TIME CAUSED BY SAFETY INTERVENTION
 SOFT-START
 RELEASE THRUST
 JAM PROTECTION SENSITIVITY (ENCODER)
 PHOTOCELL MODE
 OPENING OR CLOSURE WITH PASSAGE ON PHOTOCELLS
 DURING STOP, INDEPENDENT ENABLES ON LIMIT SWITCH, PHOTOCELL, STOP, INVERSION
 SAFETY EDGE (SWITCH 0 RESISTIVE)
 ASSIGNING TWO RADIO CHANNELS A SPECIFIC FUNCTION
 FLASHING LIGHT INTERMITTENCY
 DURATION OF COURTESY LIGHT

COMMAND INPUTS AVAILABLE

OPEN
 CLOSE
 PEDESTRIAN
 CLOCK
 STEP BY STEP
 STOP
 SAFETY EDGE 1
 SAFETY EDGE 2
 GROUP PHOTOCELL 1
 GROUP PHOTOCELL 2
 OPENING LIMIT SWITCH MOTOR 1 AND MOTOR 2
 CLOSING LIMIT SWITCH MOTOR 1 AND MOTOR 2
 ENCODER MOTOR 1 AND MOTOR 2



THE REMOTE CONTROL RANGE

There are four different versions of Roger Technology transmitters: R80, H80, G80 created with a system that recharges the battery using solar energy, allowing you to save power and money and, finally, the new brand M80.

The R80 range has a random set code available on 2/4 channels with a copy function. The H80 range has a random set code available on 2 channels, the G80 range with 2/4 channels with a rechargeable solar energy battery, the M80 range has a random set code available on 4 channels with a copy function.



R80

P_100



H80

P_102



G80

P_104



M80

P_106



R80/TX102



R80/TX104

R80	R80/TX102 R80/TX102R	R80/TX104 R80/TX104R
CARRIER FREQUENCY	433.920 MHz	433.920 MHz
MODULATION	AM/ASK	AM/ASK
EFFECTIVE RADIATED POWER	100 µW	100 µW
CODIFICATION	fixed 268 million	fixed 268 million
NUMBER OF CHANNELS	2	4
POWER	12 V with 23A type battery	12 V with 23A type battery
OPERATING TEMPERATURE	-10+55 °C	-10+55 °C
RANGE	150 metres in free area	150 metres in free area

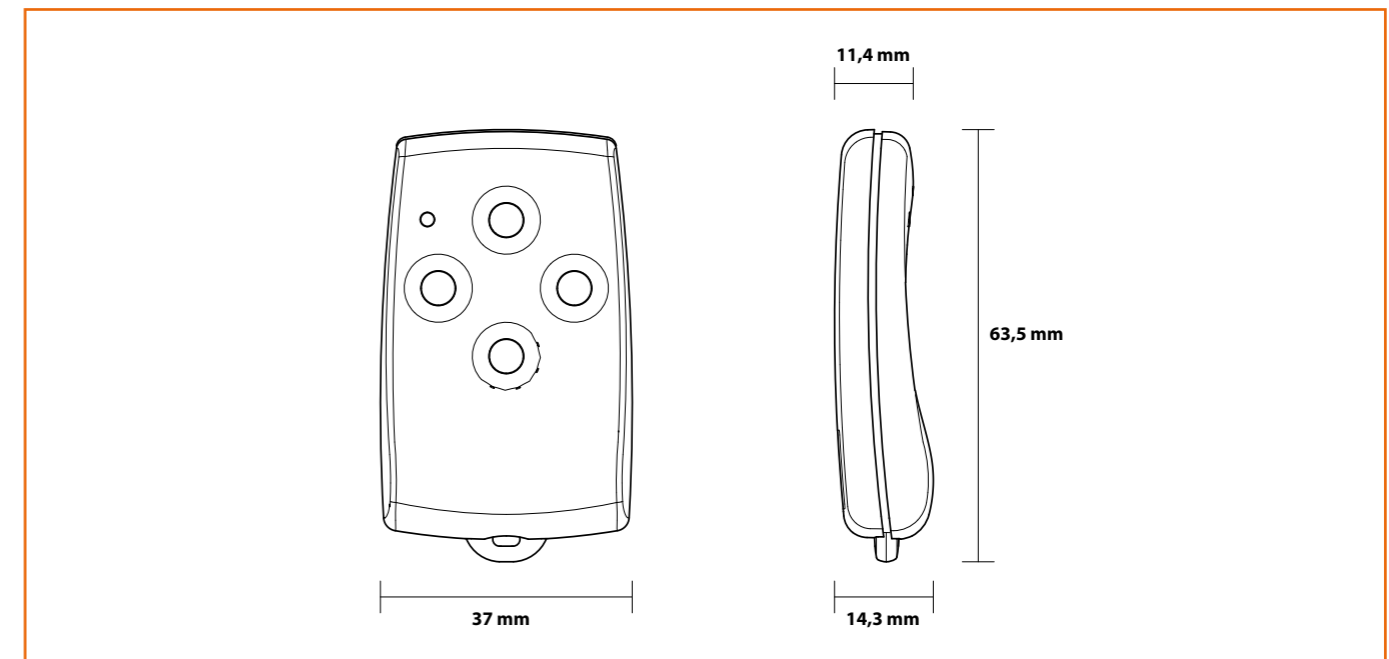
ROGER ALWAYS AT YOUR COMMAND

Radio control with 433.92 Mhz UHF band carrier frequency, with two and four channels that have a fixed, randomly generated code saved to non-volatile memory. (268 million combinations possible).

RANGE R80 VERSIONS

R80/TX102	fixed code radio control • 433.92 Mhz • 2 channels
R80/TX102R	fixed code radio control • 433.92 Mhz • 2 channels • with coupling function
R80/TX104	fixed code radio control • 433.92 Mhz • 4 channels
R80/TX104R	fixed code radio control • 433.92 Mhz • 4 channels • with coupling function

dimensions





H80/TX22

ROGER ALL IN ONE CLICK

Radio control with 433.92 Mhz UHF band carrier frequency, with two channels that have a fixed, randomly generated code saved to non-volatile memory (268 million combinations possible).

RANGE H80 VERSION

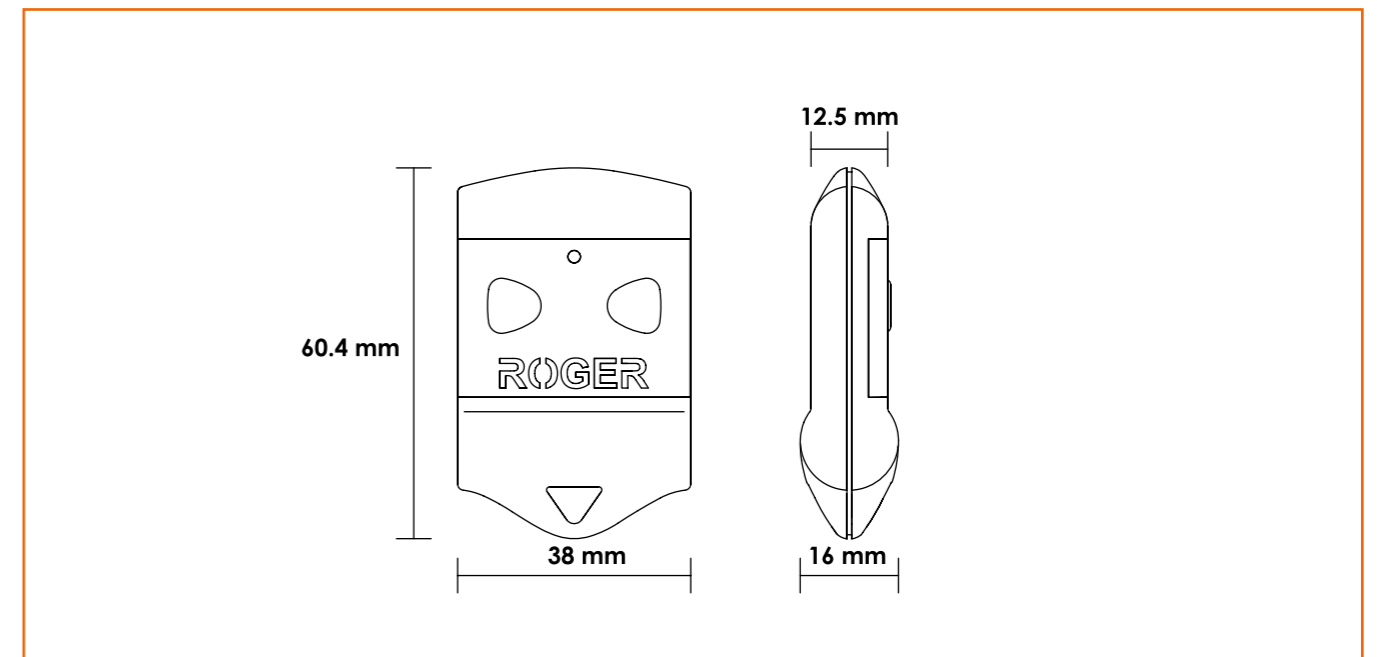
H80/TX22 H80/TX22 fixed code radio control • 433.92 MHz • 2 channels

H80

H80/TX22

CARRIER FREQUENCY	433.920 MHz	
MODULATION	AM/ASK	
EFFECTIVE RADIATED POWER	100 μ W	
CODIFICATION	fixed 268 million	
NUMBER OF CHANNELS	2	
POWER	12 V with 23A type battery	
OPERATING TEMPERATURE	-10+55 °C	
RANGE	150 metres in free area	

dimensions





G80/TX34

RECHARGE WITH A RAY OF SUNLIGHT

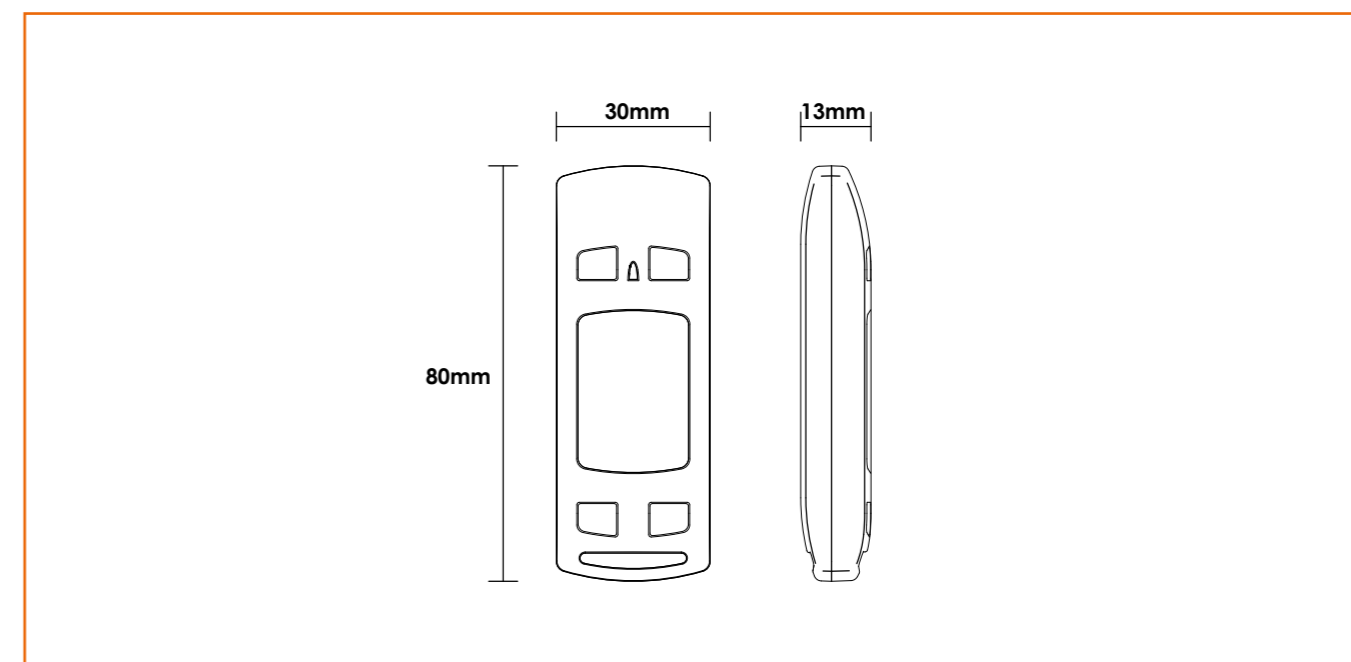
Radio control with 433.92 Mhz UHF band carrier frequency, with four channels. The radio control G80 has a special panel that allows you to recharge the lithium-ion battery simply using solar power. This means you save money on batteries and guarantees your radio control will go on working.

RANGE G80 VERSIONS

G80/TX32	fixed code radio control • 433.92 Mhz • 2 channels
G80/TX32R	fixed code radio control • 433.92 Mhz • 2 channels • with coupling function
G80/TX34	fixed code radio control • 433.92 Mhz • 4 channels
G80/TX34R	G80/TX34R fixed code radio control • 433.92 Mhz • 4 channels • with coupling function

G80	G80/TX32 G80/TX32R	G80/TX34 G80/TX34R
CARRIER FREQUENCY	433.92 MHz	433.92 MHz
MODULATION	AM/ASK	AM/ASK
EFFECTIVE RADIATED POWER	100 µW	100 µW
CODIFICATION	fixed 268 million	fixed 268 million
NUMBER OF CHANNELS	2	4
POWER	solar panel + lithium-ion battery	solar panel + lithium-ion battery
OPERATING TEMPERATURE	-10+55 °C	-10+55 °C
RANGE	100 metres in free area	100 metres in free area

— dimensions





M80/TX44R

THE ELEGANCE OF ROGER TECHNOLOGY

Radio control with 433.92 Mhz UHF band carrier frequency, with four channels. The new M80 so called "Stone" radio control features an advanced design. It is small, elegant and slender enough to keep in your pocket and has a lithium battery.

RANGE M80 VERSION

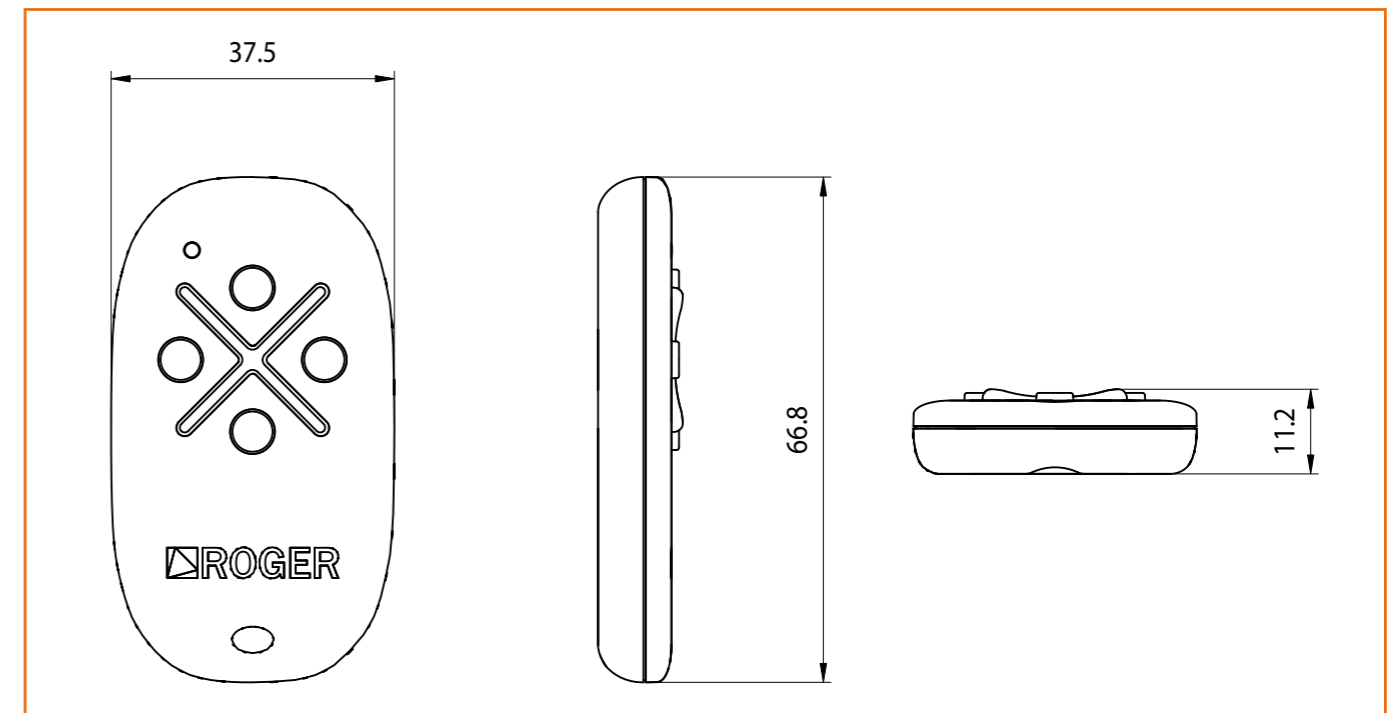
M80/TX44R fixed code radio control • 433.92 Mhz • 4 channels • with coupling function

M80

M80/TX44R

CARRIER FREQUENCY	433.92 MHz	
MODULATION	AM/ASK	
EFFECTIVE RADIATED POWER	100 µW	
CODIFICATION	fixed 268 million	
NUMBER OF CHANNELS	4	
POWER	1 x CR2032 3V	
OPERATING TEMPERATURE	-10+55 °C	
RANGE	150 metres in free area	

— dimensions





THE ELECTRONIC RANGE

Roger Technology completes its vast range of automatic systems with electronic components. This section contains a flashing light R92, an antenna R91, a series of photocells for columns and walls R90 for active safety and a series of radio receivers R93 with two or four channels, ready for immediate reception.



Photocells P_110



Flashing light P_112



Radio receivers P_114



ACTIVE SAFETY

The system has transmitter and an infra-red receiver that signals any obstacles in the range of action to the control box during active alignment. Modern shapes for advanced aesthetics and only 27 mm thick so as not to create bulk.

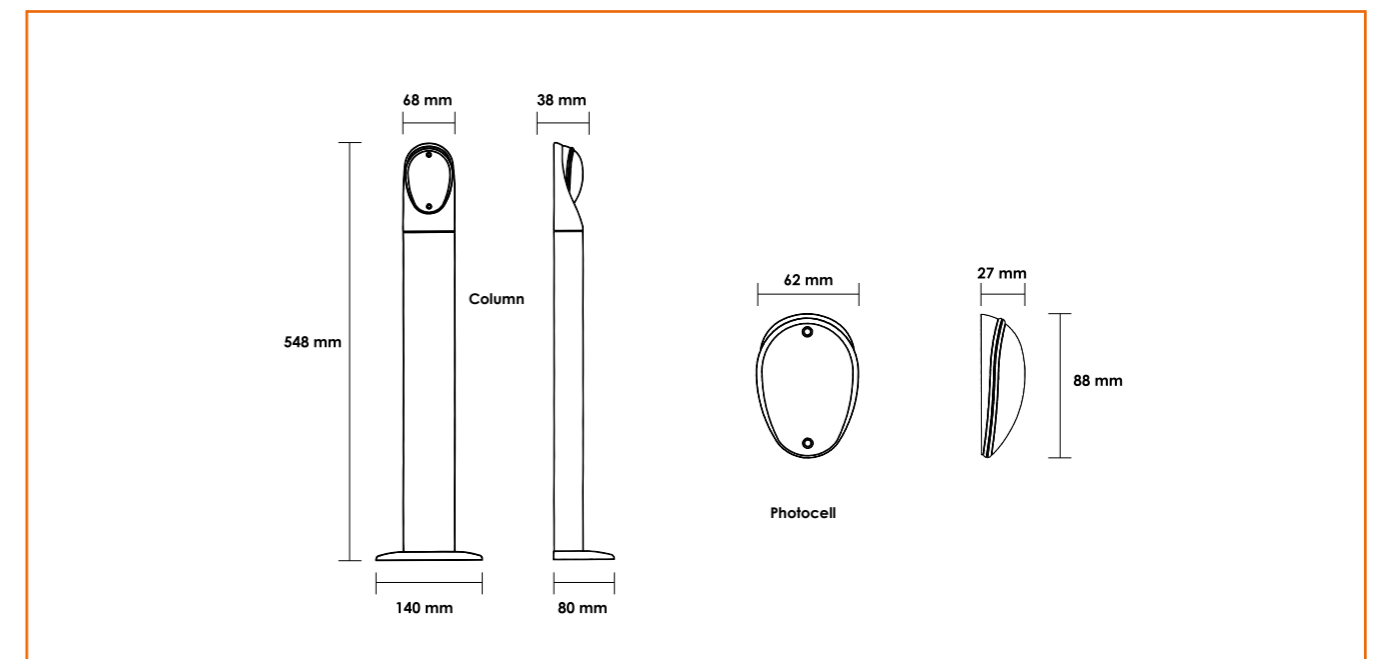
RANGE PHOTOCELLS FOR COLUMNS AND WALLS VERSIONS

R90/F1E	pair of photocells for outdoor • unsynchronised
H90/F4ES	pair of photocells for outdoor • synchronised • max 4 pair
CFT500	pair of columns for R90 range • height 50 cm
CFT501	pair of columns for R90 range • height 100 cm

R90/F1E H90/F4ES

	Transmitting	Receiving
POWER STANDARD	12/24 V ac/dc	12/24 V ac/dc
ABSORPTION	25 mA	30 mA
RANGE	15 m.	15 m.
MAX RELAY CURRENT		0,5 A
MAX RELAY VOLTAGE		24 V ac
OPERATING TEMPERATURE	-20+55	-20+55 °C

— dimensions





R92 CLEAR SIGNALS

Original, elegant, functional design that attracts attention when the gate is in motion. Modulated flashing light, with an inner electronic circuit in shockproof, waterproof material.

R91 ANTENNA ALWAYS ON THE ALERT

Antenna on a 433.92 MHz frequency. Easy to unscrew for optimal orientation.

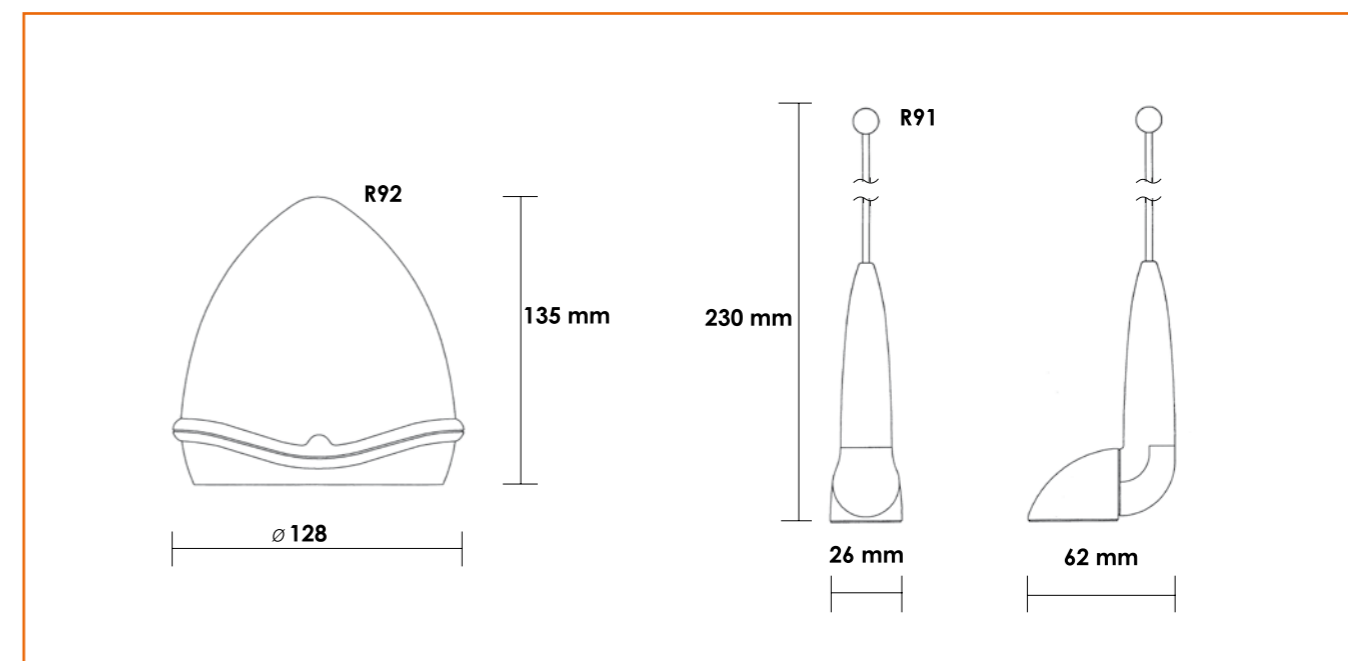
RANGE FLASHING LIGHT AND ANTENNA VERSIONS

R92/LR1	230V • with flashing electronic light
R92/LR2	230V • constant light • without flashing electronic light
R91/AN1/LR1	antenna for flashing light R92/LR1 and R92/LR2
R91/AN1/P1	antenna ready for wall mounting

R92	R92/LR1	R92/LR2
POWER	230 V AC	230 V AC
MAX BULB POWER	40 W	40 W
CONNECTION BULB TYPE	E 14	E 14
FLASH FREQUENCY	1 Hz	fixed

R91	R91/AN1/P1	R91/AN1/LR1
TUNING FREQUENCY	433.920 MHz	

— dimensions





R93/RX14M/24



R93/RX14M/230



H93/RX22A/I



R93/RX12A/I

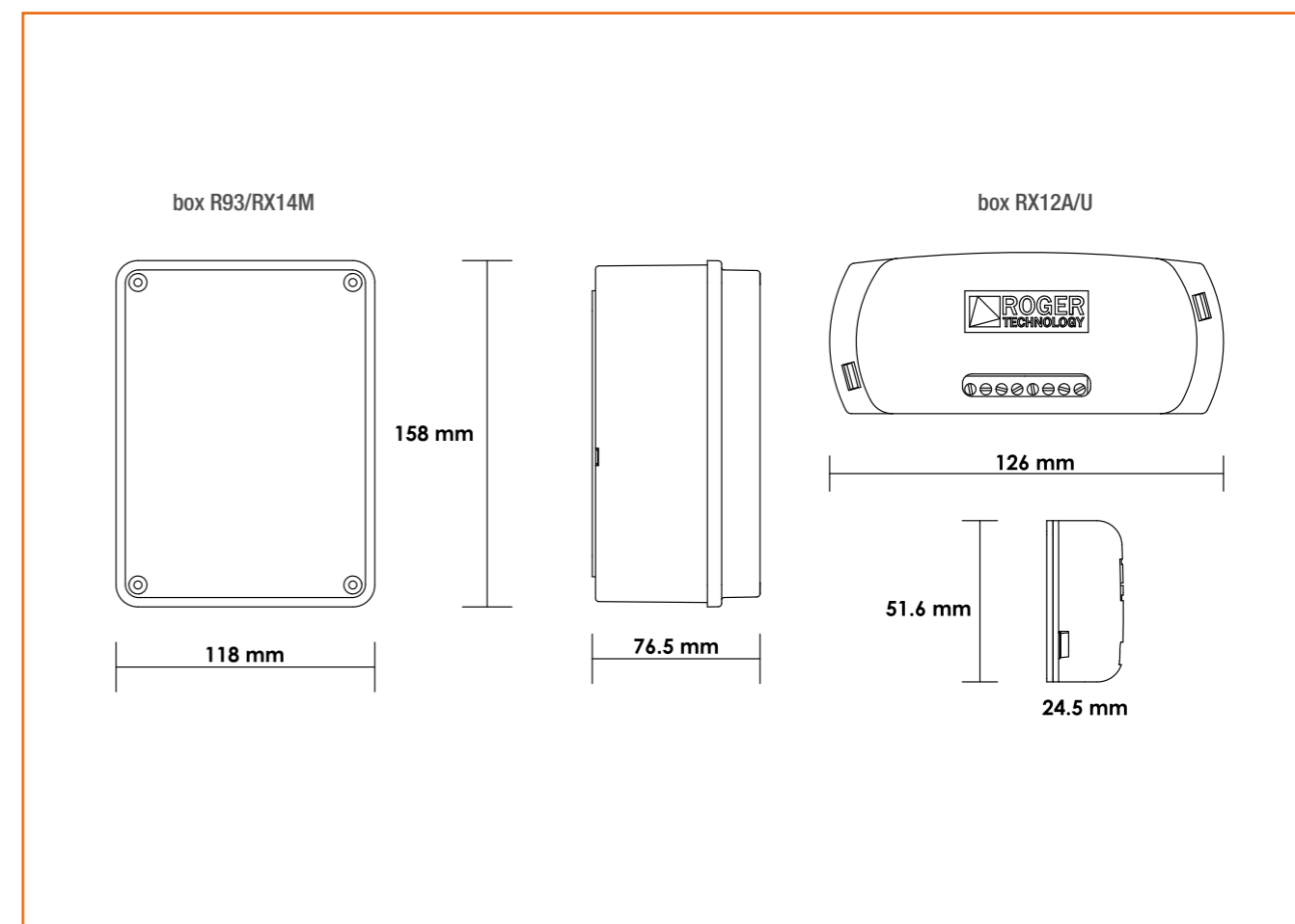


R93/RX12A/U

R93/RX12A/I
R93/RX12A/U R93/RX14M/24 R93/RX14M/230 H93/RX22A/I

RECEPTION FREQUENCY	433.920 MHz	433.920 MHz	433.920 MHz	433.92 MHz
POWER	12/24 V ac/dc	12/24 V ac/dc	230 V ac	5 V dc
NUMBER OF CHANNELS	2	4	4	2
RELAY CONTACTS MAX CURRENT	0.5 A	0.5 A	0.5 A	
RELAY CONTACTS MAX VOLTAGE	24 V ac/dc	24 V ac/dc	24 V ac/dc	
OPERATING TEMPERATURE	-10 +55 °C	-10 +55 °C	-10 +55 °C	-10 +55 °C
OUTPUTS	relay	relay	relay	Open collector
MEMORISABLE CODES	500 Transmitting	55/200 opz.	55/200 opz.	500 Transmitting

— dimensions



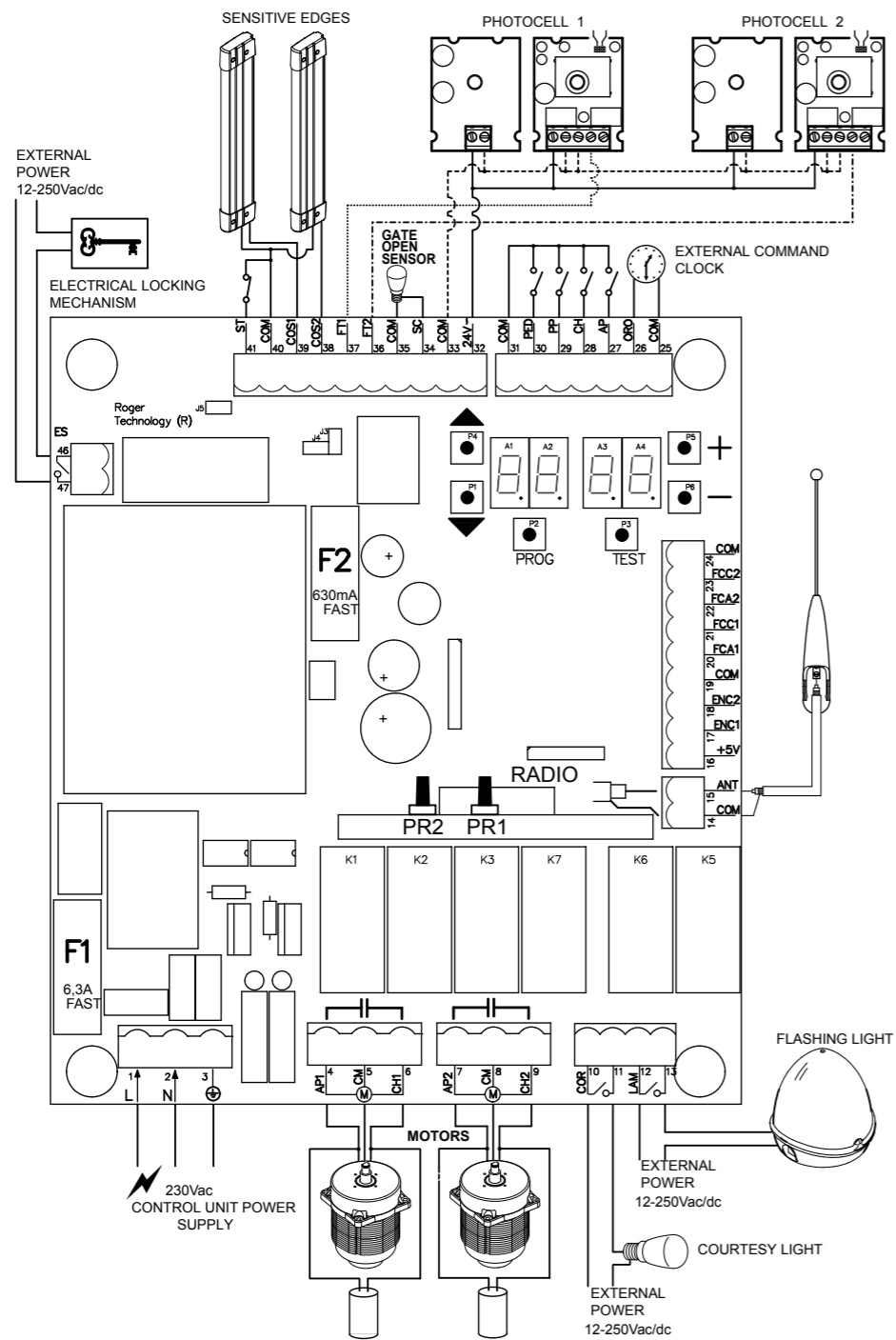
R93 IMMEDIATE RESPONSE

Radio receiver connecting systems that can be directly placed in the control box. Universal terminal and modular systems with up to 4 channels, for different uses.

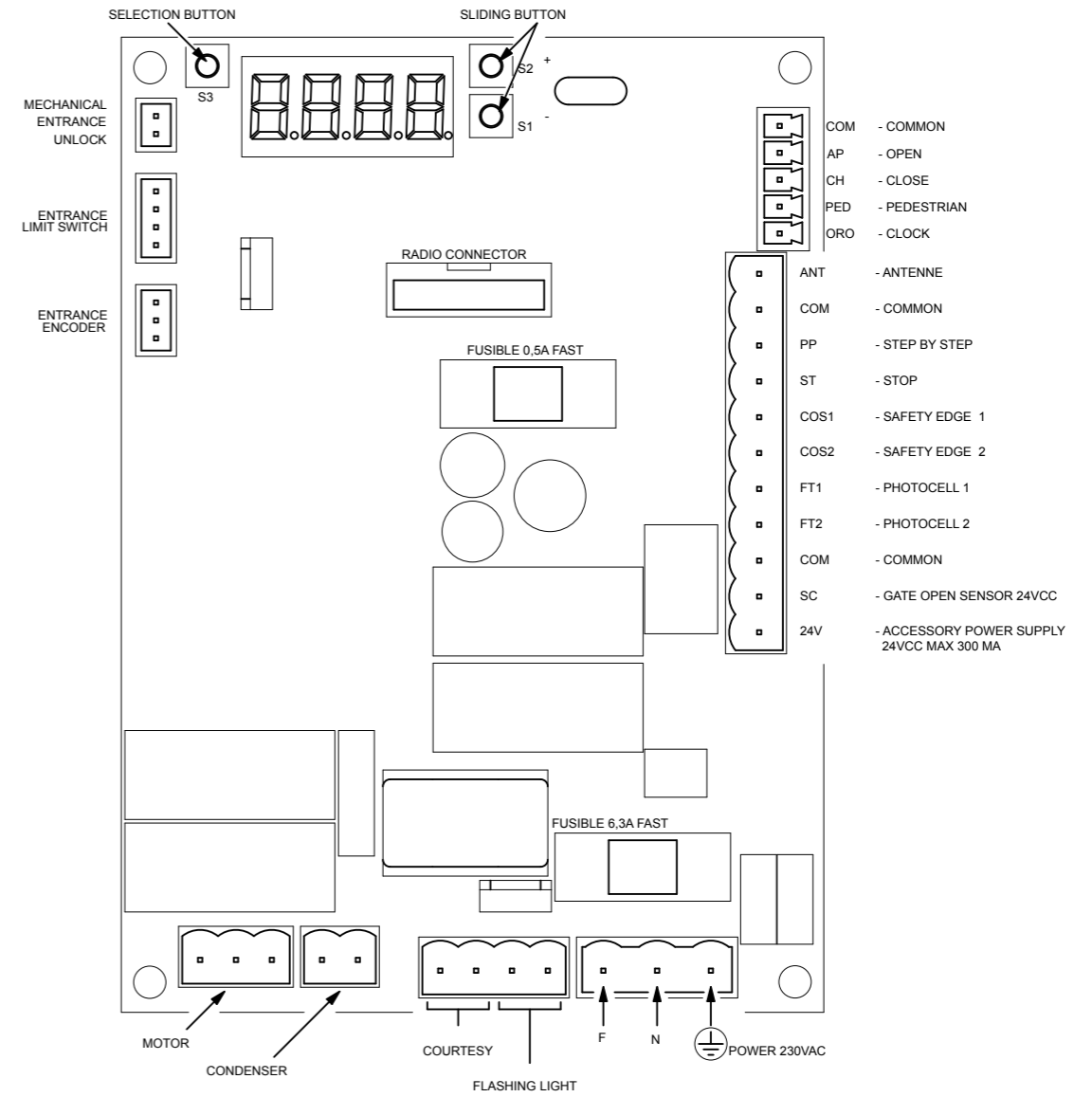
RANGE RECEIVER VERSIONS

R93/RX12A/I	two-channel radio receiver with connection • for control unit R70 • 433.92 MHz
R93/RX12A/U	two-channel radio receiver with clamps • 433.92 MHz • plastic container
H93/RX22A/I	two-channel radio receiver with connection • for control unit H70 • 433.92 MHz
R93/RX14M/24	modular receiver with 4 channels (1 fixed monostable and 3 ready for relay modules), 433.92 Mhz • plastic container • power 24 V
R93/RX14M/230	modular receiver with 4 channels (1 fixed monostable and 3 ready for relay modules), 433.92 Mhz • plastic container • power 230 V
R93/MEM200C	expansion of 200 codes • for radio R93

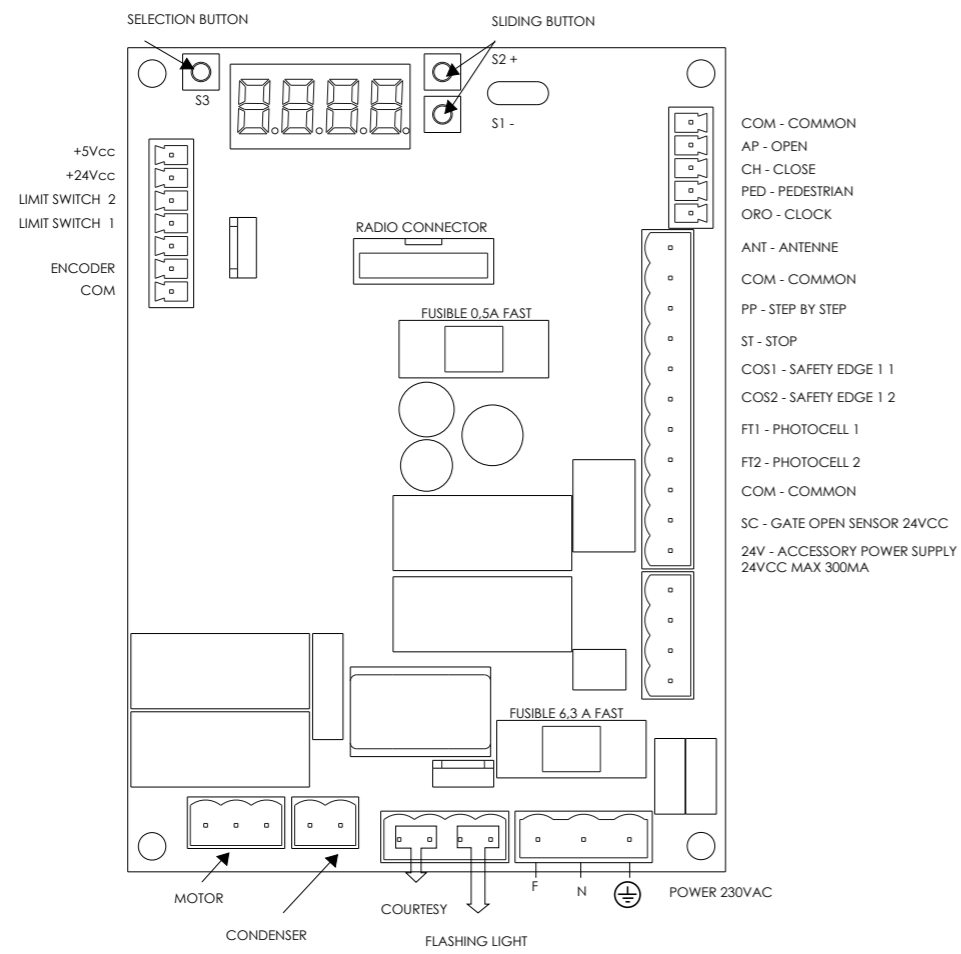
H70/200AC



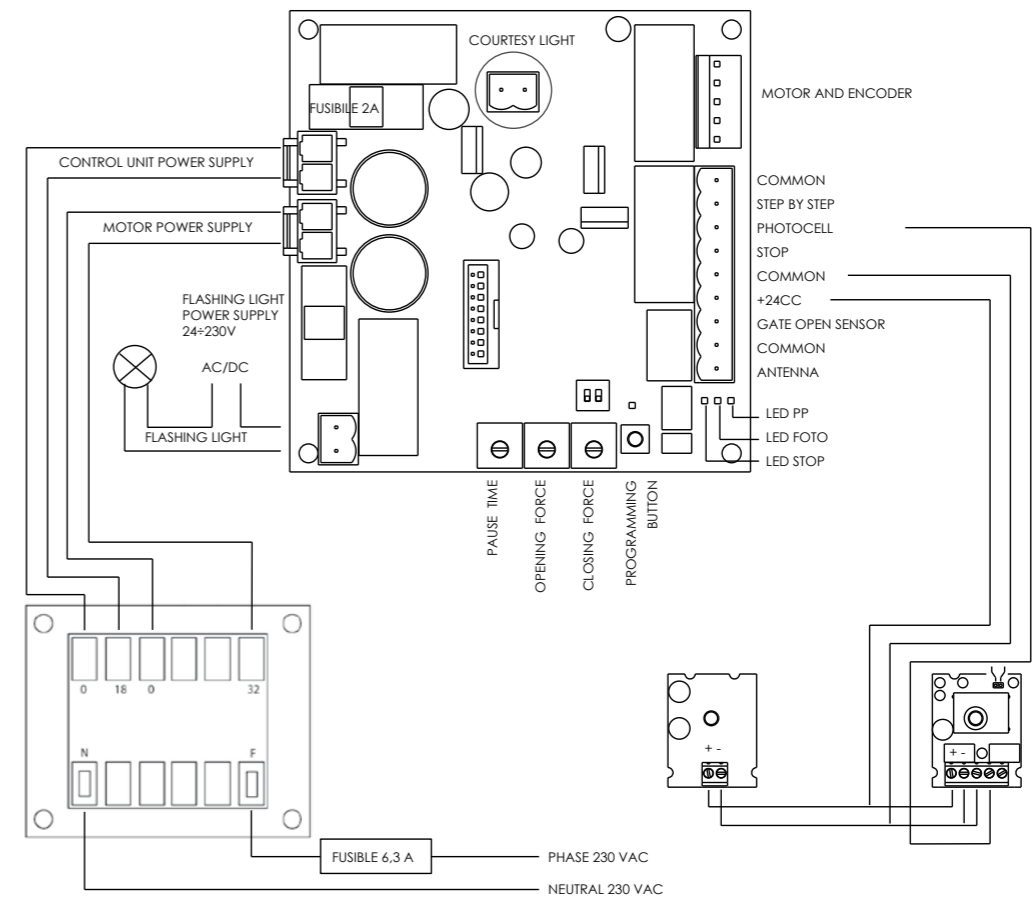
H70/103AC



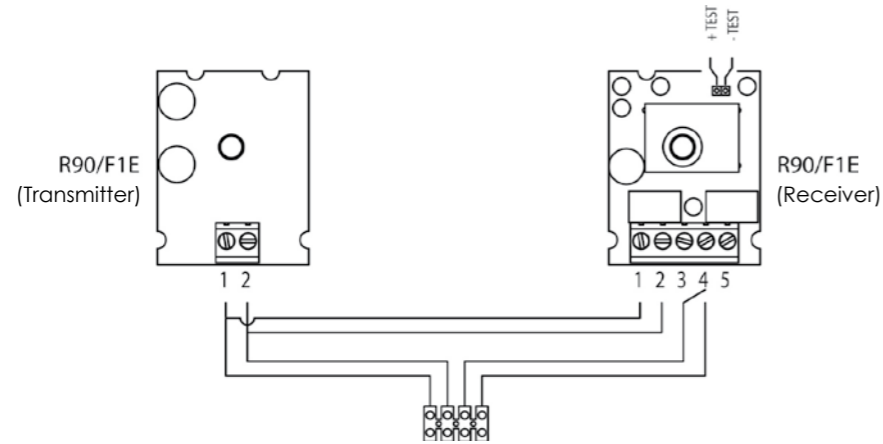
H70/100AC



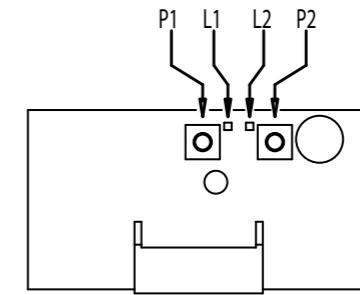
H70/10CC H70/11CC H70/14CC



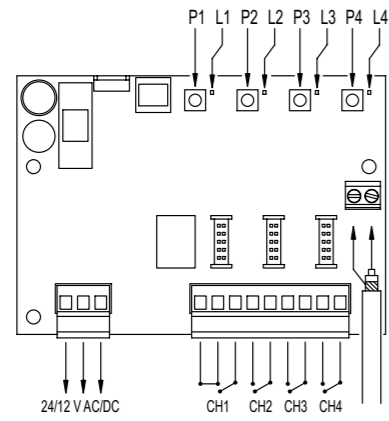
R90/F1E



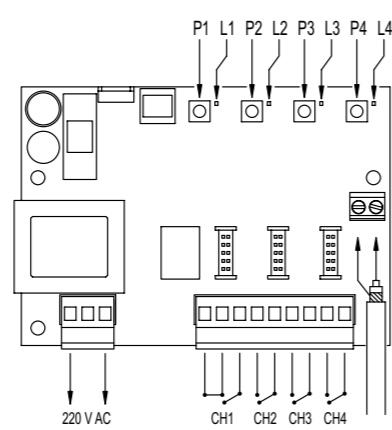
H93/RX22A/I



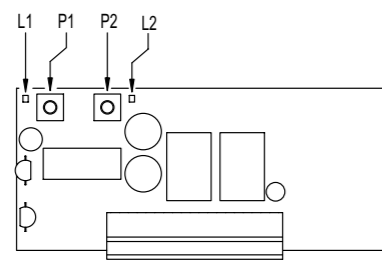
R93/RX14M/24



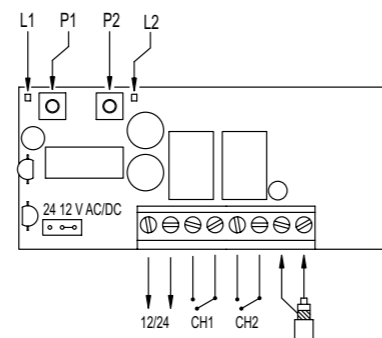
R93/RX14M/230



R93/RX12A/I



R93/RX12A/U



GENERAL CONDITIONS OF SALE

These conditions of sale replace the preceding ones and apply to all orders that the customer stipulates for Roger Technology brand products or for any other brand of Mox Motion Gates S.n.C. All sales to customers are regulated by these conditions of sale, which are an integral part of the sales contract and replace and annul any contrary clause or special stipulation in the order or in any other document from the customer. Information shown in this catalogue is purely indicative. Mox reserves the right to make any modifications to products that it believes necessary. The contents of the package may vary, therefore we always recommend to contact your retailer.

ORDERS

All orders will be according to "availability and modifications to price lists". Mox reserves the right to accept or refuse, wholly or in part orders from customers according to whether or not they conform to present general conditions and according to the availability of products requested. Mox reserves the right to make technical modifications to products in the catalogue at any time without this resulting in any claims from customers.

PRICE LIST

Prices for products are those shown in the current price list. Upon stipulation of the contract the customer undertakes to accept unreservedly any variation in the price list that has occurred in the interval between order and delivery. The current price list is the last one produced, which replaces any previous list. Prices are always ex-works and exclude VAT.

TERMS OF DELIVERY

All products are delivered ex-works from the Mox Motion Gates – Mogliano Veneto (TV) factory. Terms of delivery are those indicated in the order confirmation, which should be regarded as indicative and not binding. Any delay does not give the customer the right to request the termination of the contract (wholly or in part), to refuse the delivery or to request compensation for damages. The obligation of delivery is fulfilled with delivery of goods to the carrier. Mox reserves the right to extend delivery times or to terminate the contract without liability in all cases of force majeure, such as atmospheric events, earthquakes, strikes or fire; in the event that it becomes impossible to obtain raw material; in the event of incorrect information or delays on the part of the customer in providing information necessary for the order; failure to comply with conditions of payment on the part of the customer or any other event that is beyond our control.

DELIVERY

Goods always travel at the customer's own risk. Any robbery, loss, damage or deterioration does not exonerate the customer from payment, if goods are properly delivered on leaving the Mox Motion Gates factory. Deliveries will take place through our usual courier and the cost will be charged by Mox on the invoice, unless otherwise agreed, at the time of ordering. The customer may agree to the use of a different courier, at the customer's own expense. Goods are not covered by an insurance policy unless explicitly requested by the customer and at the customer's own expense.

COLLECTION OF PRODUCTS

The customer undertakes to withdraw products as soon as they are made available. In the event of delay, Mox has the right not only to full payment of the price but also to reimbursement of storage or holding costs without prejudice to the right to claim further damages. Mox will not be held responsible for damage that occurs, either directly or indirectly, as a result of unclaimed goods being kept in storage or delays in collection of goods, both in Mox warehouses and in those of transport, couriers or others.

GUARANTEE

All catalogue products are carefully checked and tested. Mox guarantees all its Roger Technology brand products, or any other of its own brands, against material or manufacturing defects, according to the conditions and limits of installation and use indicated by Mox. The duration of the Mox guarantee for the end user is 24 months from the date of manufacture shown on every Roger Technology brand product or any other of its own brands, in conformity with current consumer protection regulations and is only limited to repair or replacement of

a product held to be defective by Mox. Mox will not be held responsible in the event of failure to observe assembly instructions or electrical connections according to current regulations at the time of installation, as it is always essential that the person responsible for installation adheres to current safety regulations and has the proper technical skills necessary to install the product perfectly. Mox will not be held responsible if its products are connected, used in conjunction with or linked to any other products not supplied by Mox. The customer must use Mox products only together with other Mox products. The guarantee will not apply if this is not the case. Mox will not be held responsible if its products are applied or used for purposes inappropriate to their nature, ability or range.

The guarantee will not apply if the user does not inform Mox of the defect within the time period established, or if goods returned as defective have been manhandled or repaired.

COMPLAINTS

Any complaints due to defects or damage which are apparent upon initial external examination must be communicated as soon as goods are received in writing, together with necessary documentation. Any claims for defects in conformity of goods that cannot be seen externally must be communicated to Mox in writing, together with necessary documentation, within 60 days. Goods cannot be returned without Mox's prior consent and complaints cannot result in the total or partial annulment of the order, nor in delay or suspension of payment, which must be provided in full.

OWNERSHIP RIGHTS

Mox reserves the right of ownership of goods until full payment has been made. Therefore, until full payment has been made, and whatever the location of goods (even if they have been re-sold by the client), these goods will remain the full and exclusive property of Mox. Cheques, bank bills or credit transfers will not be regarded as payment until they have effectively been cashed. In the case of failure to pay Mox will immediately repossess of sold products, wherever they may be.

CONDITIONS OF PAYMENTS

All payments must be made exclusively to Mox and made according to the terms and methods shown on the invoice. Failure to observe due dates will result in interest being charged to the customer as set down in D.L. 9.10.2002, n.231, which puts into effect directive n.2000/35/CE, and within the maximum limits of current regulations, without the need for formal notice of default to be given. In the case of delay in even a single payment instalment, Mox reserves the right to suspend (without notice if necessary) the execution or delivery of an order and/or to terminate any current contract and to bring the dates of payments for successive orders forwards without the customer having any right to indemnity. Mox reserves the same right each time there are changes in the identity of the purchaser, his structure or company organisation and if protests arise, if there are pending executive procedures or emissions of injunctions for payment, suspensions or delays in fulfilling obligations towards third party creditors.

BRAND

The customer is aware that Mox Motion Gates products are patented and are the exclusive property of Mox Motion Gates S.n.C. The customer is expressly forbidden to violate these rights or to remove, suppress or alter trademarks or other distinctive symbols on products, or to place new ones of any kind on these products. All forms of reproduction or use of the Roger Technology brand or any other distinctive symbol on the product is forbidden without prior written authorisation from Mox.

EXCEPTIONS

Upon signing the contract or confirming the order the customer accepts these conditions of sale. Any modifications of the same must be submitted to Mox before stipulating the order and only apply to a single order.

PLACE OF JURISDICTION

Any controversy that may arise during the execution of the contract will come under the jurisdiction of Italian law and the local court of Treviso.