

Installation guide of ABX digital frequency intelligent infrared fence

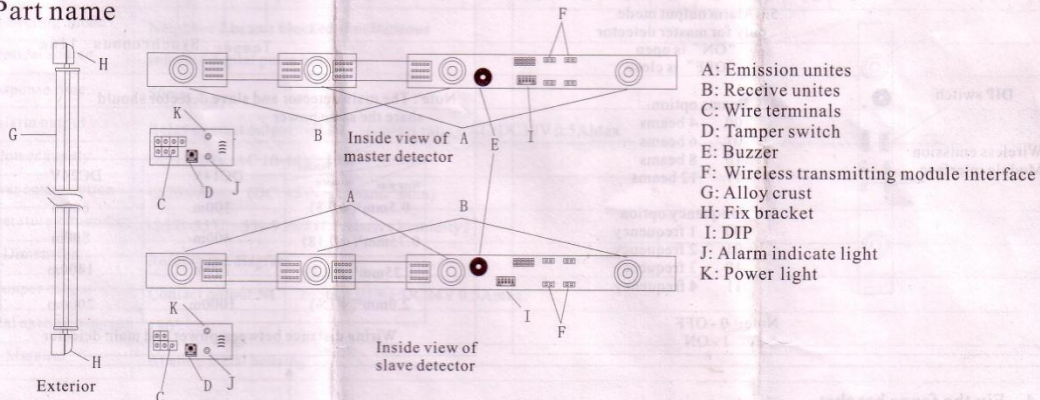
1. Brief introduction

ABX series digital alter-frequency intelligence infrared fence is the best infrared fence with highest quality and fullest functions. Adopt CPU micro-process digital control technology, with Al-alloy housing, with advanced technology, distinguished ability, designed perfectly, use coaxial un-spherical lens with double focus, advanced emitter fit for gain auto-adjust technology, with high sensitivity, strong ability of anti-interfere. Completely fit for indoor or outdoor of 24-hour, Perfect Al-alloy housing, tamper, anti-opening circuit design; 360° discretionary rotate can let adjust more quick and accuracy; Adopt photoelectric recognize principle can prevent small pet, bird, tree, leave, specially sunlight result to false alarm effectively. With pre-alarm and trouble output functions, 4,6,8,12 beams eligibility. Silvery housing, streamline design, simply and glory, measure to the requirement of veranda of modern house, fence of villa, open warehouse, pasture, etc.

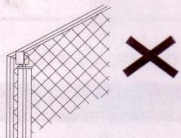
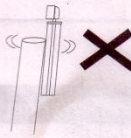
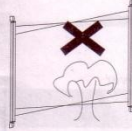
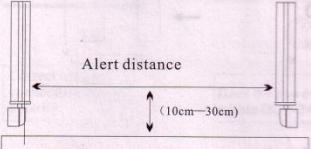
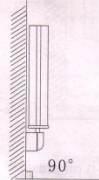
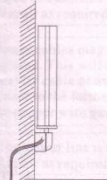
2. Characteristic

1. Only need emission each other detection, avoid the disturb from sunlight.
2. Block any of beams it will prealarm
3. Alarm output: NO/NC optional
4. AGC ensure not effected by environment
5. Special anti-reflect technology ensure working normally

3. Part name

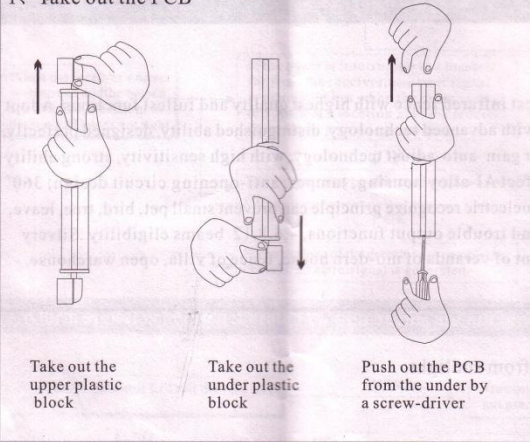


4. General guidelines

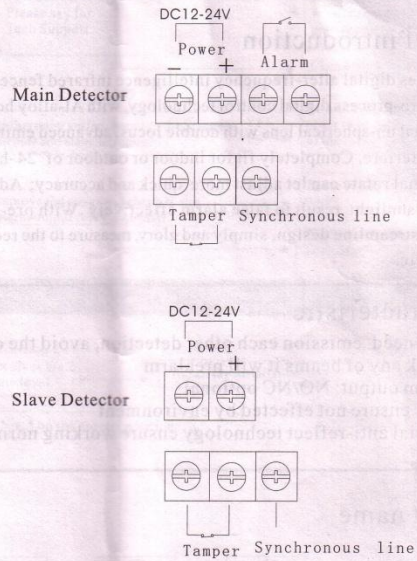
1. Don't install on a shaking base

2. Don't install on an unstable pole

3. Keep no impediment between the detectors

4. The distance between the ground and the lowest beams shall be 10-30cm, please adjust according to the fact.

5. Build in vertical

6. Wire of the detector shall most be placed into a slot.


5. Installation and setting

1、 Take out the PCB



2、 wiring

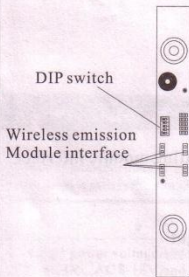


Note : The main detector and slave detector should share the same power

Wire size	Voltage distance	DC14V	DC24V
0.5mm ² (ϕ 0.8)		300m	600m
0.75mm ² (ϕ 1.0)		400m	800m
1.25mm ² (ϕ 1.2)		700m	1400m
2.0mm ² (ϕ 1.6)		1000m	2000m

Wiring distance between power and main detector

3、 DIP setting



S3DIP:

5: Alarm output mode only for master detector
"ON" is open
"OFF" is close

4.3 Beams option:

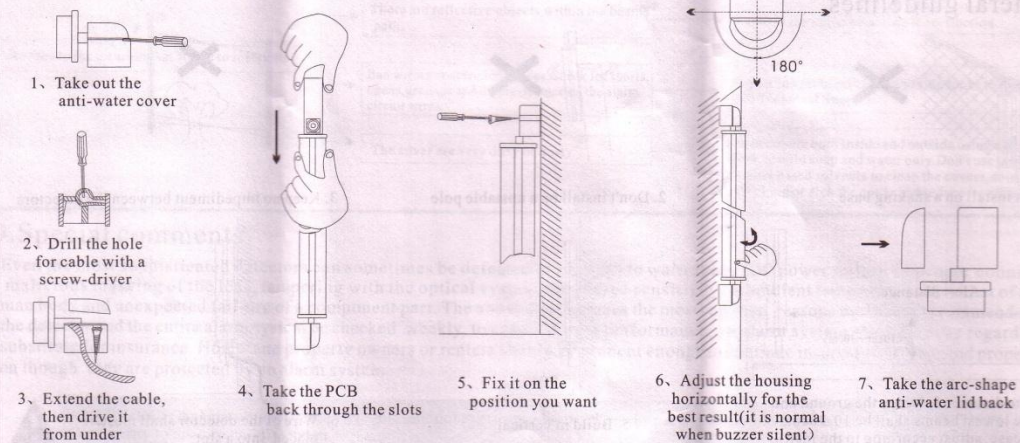
00 4 beams
01 6 beams
10 8 beams
11 12 beams

2.1 Frequency option

00 1 frequency
01 2 frequency
10 3 frequency
11 4 frequency

Note: 0 - OFF
1 - ON

4、 Fix the fence bracket



6. Walking test

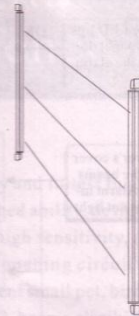
1. Block any of beams, it will prealarm
(The buzzer sound discontinuously)
2. Block two neighbour beams it will alarm
(The buzzer sound continuously)
3. Installation successful
when above two test passed



Test by 0.3m/s



Test by 4m/s



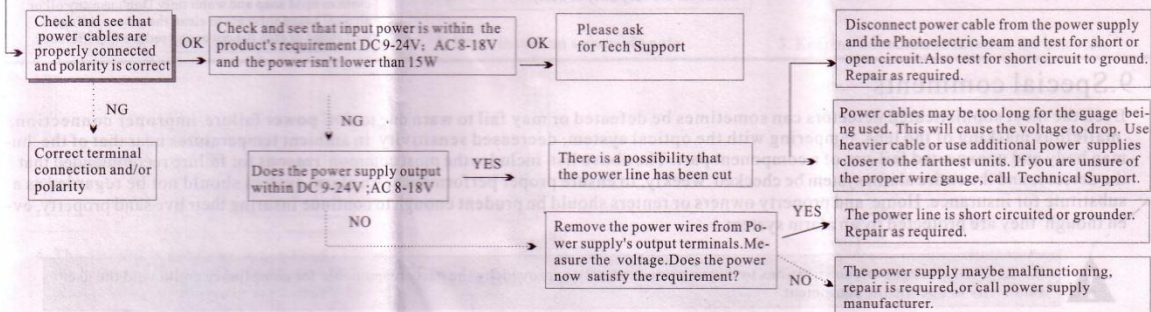
Both of the tests pass, will be successful

7. Technical parameters

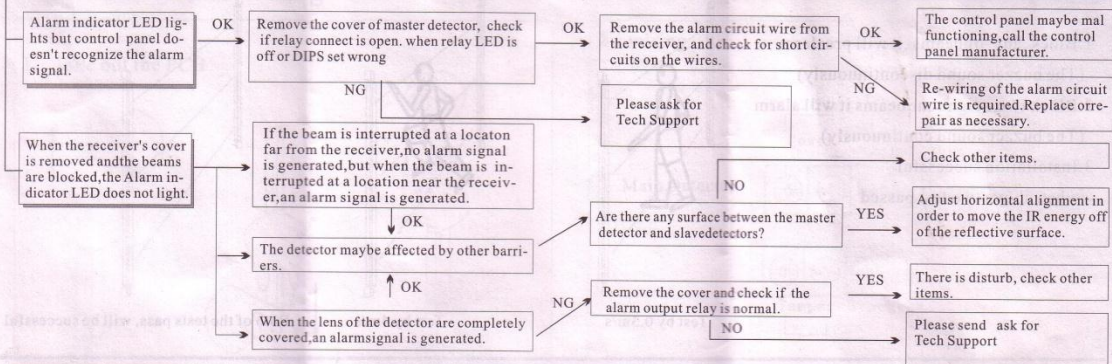
Model	ABX-104	ABX-106	ABX-108	ABX-110	ABX-112	ABX-204	ABX-206	ABX-208	ABX-210	ABX-412	ABX-404	ABX-406	ABX-408	ABX-410	ABX-412	ABX-604	ABX-606	ABX-608	ABX-610	ABX-612	
Alert distance	Outdoor	10m				20m				40m				60m							
	Indoor	20m				40m				80m				120m							
No. of the beams	4	6	8	10	12	4	6	8	10	12	4	6	8	10	12	4	6	8	10	12	
Detecting mode	Neighbor 2 beams blocked simultaneous																				
Optical source	Infrared digital pulse beam																				
Response time	50msec																				
Alarm output	Relay contact output:NO.NC contact rating:AC/DC30V 0.5AMax																				
Power supply	DC 12-24V AC 10-18V 15W																				
Power consumption	<170mA (DC 12V, 12beam, 60m)																				
Temperature&humidity	-25°C-55°C 5%-95%RH (relative humidity)																				
Dimension	Refer to the diagram																				
Tamper output	Contact output:NC contact rating:DC24V 0.5Amax.																				
Optical axis adjustment	180°																				
Material	Al alloy metal housing																				

8. Trouble solution

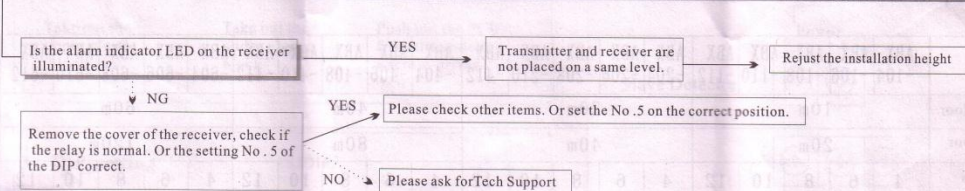
1. "No Action" on the transmitter or receiver after power has been applied



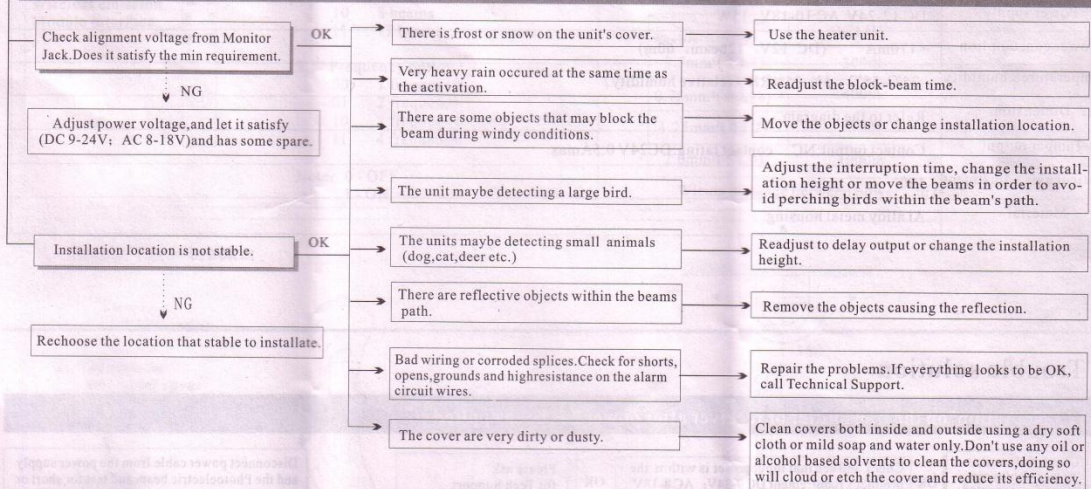
2. "No Action" on alarm zone even though the beams are completely blocked.



3. Alarm signal is being generated though beams are not blocked



4. False alarm



9. Special comments

Even the most sophisticated detectors can sometimes be defeated or may fail to warn due to: DC power failure/improper connection, malicious masking of the lens, tampering with the optical system, decreased sensitivity in ambient temperatures near that of the human body and unexpected failure of a component part. The above list includes the most common reasons for failure recommended that the detector and the entire alarm system be checked weekly, to ensure proper performance. An alarm system should not be regarded as a substitute for insurance. Home and property owners or renters should be prudent enough to continue insuring their lives and property, even though they are protected by an alarm system.



WARNING! Changes or modifications to this unit not expressly approved by the party responsible for compliance could void the user authority to operate the equipment.