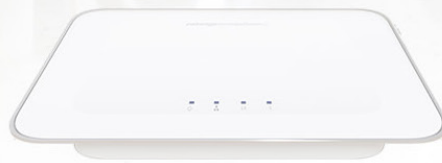


Pagedge Wireless System

Unleash Your Network



WK-1



WX-1



C36

Pagedge Wireless Networks provide enterprise-grade wireless networking to users reliant on high speed, high throughput, and long range. Pagedge wireless access points provide up to 3x the range of traditional access points and come in multiple form factors, ensuring easy installation in any scenario. The C36 Wireless Controller synchronizes and manages multiple access points in real-time to ensure a fully unified wireless system.

Enterprise Grade Wireless

An enterprise grade wireless solution is composed of wireless access points and a controller - the command and control hub for the network's APs. Pagedge wireless access points offer a high-power solution for any network, broadcasting 802.11ac high speed wireless at incredibly high range. These wireless access points can be installed almost anywhere, thanks to their ability to be powered by PoE+ and versatile form-factors that allow them to be mounted on walls or ceilings. Multiple SSIDs segment data traffic, providing a smoother wireless experience overall. A separate guest network gives internet access to visitors without compromising overall security.

WK-1

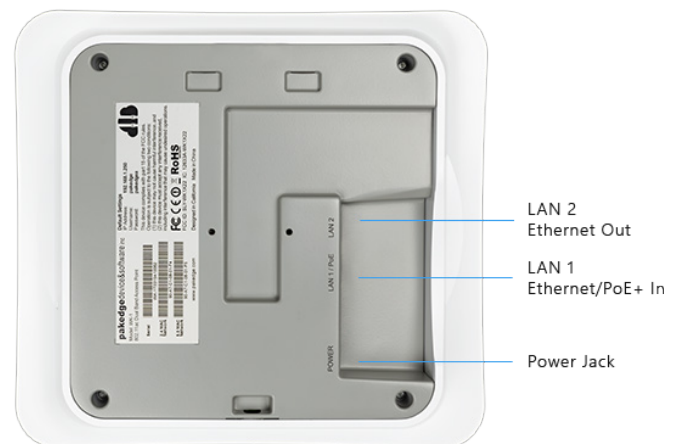
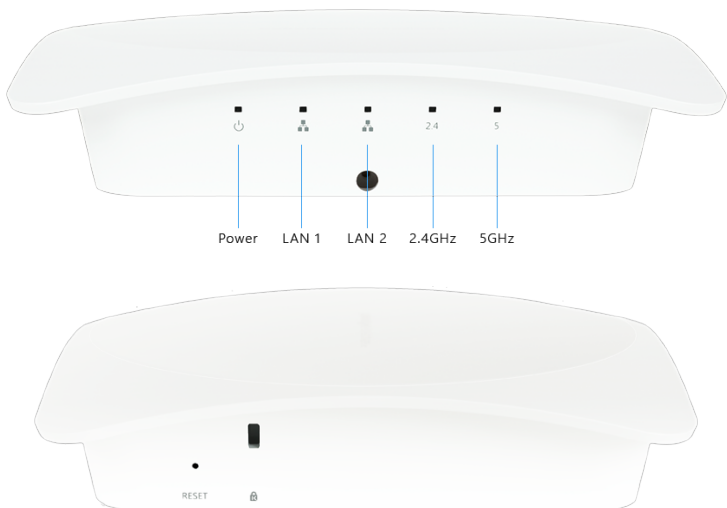
2x2 AC Wireless Access Point

High Powered AC Wireless

The WK-1 2x2 AC wireless access point provides high-speed, high-range wireless AC networking. Because it is designed with dual-LAN ports, users can daisy chain WK-1s for easy installation, even without access to network ports. Its 2x2 high powered technology brings blazing fast AC networking, even at high range.



Other Views



WX-1

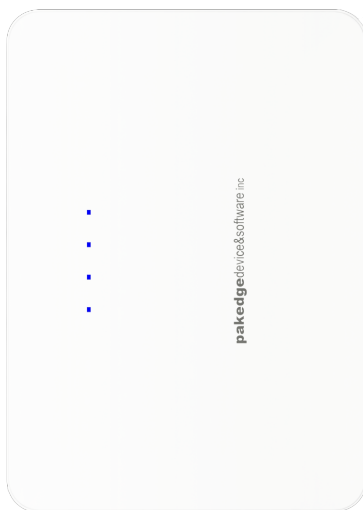
3x3 AC Wireless Access Point

The Next Level of AC Wireless

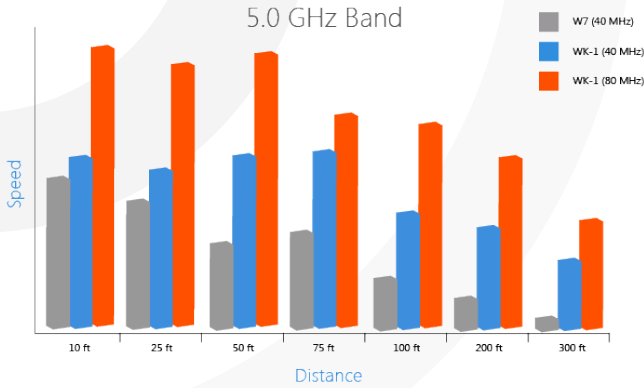
The WX-1 boasts the features and functionality of the WK-1, while bringing Pakedge AC wireless to the next level. An additional radio enables higher throughput, perfect for dense urban or corporate environments, while the ability to flush-mount the AP into a wall or ceiling removes the need for a separate in-ceiling AP entirely. High-powered gigabit wireless networking ensures high-speeds with less need for roaming for a skip-free, lag-free wireless experience.



Other Views



High Performance

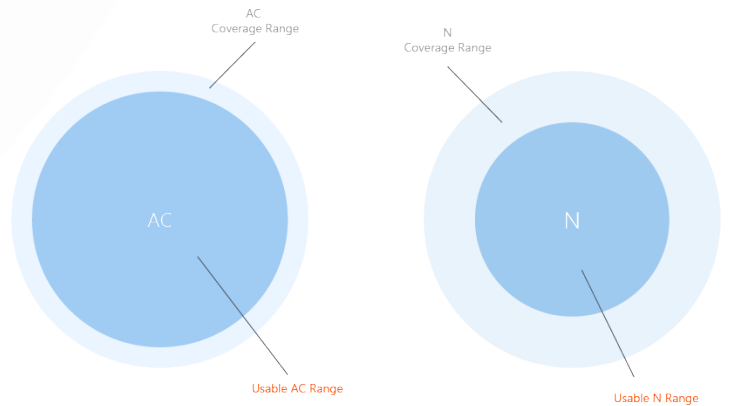


Higher Effective Range

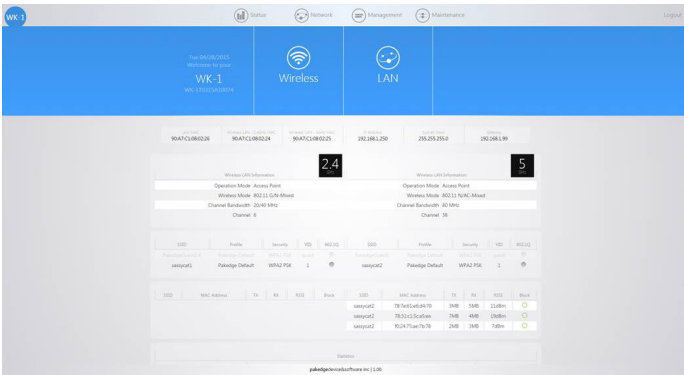
AC Wireless Access Points ensure higher speeds at the same range as wireless-N access points, and a higher effective range overall. Because of these increased speeds and throughput, the WK-1 and WX-1 can also support more clients per AP.

High Speeds

2x2 and 3x3 AC MIMO technologies ensure higher speeds for a greater number of devices than is possible with wireless-N. The newly available 80MHz channel transmits more information than the 20 and 40MHz channels available to wireless-N to create a better wireless experience.



Complexity Simplified



Simplicity

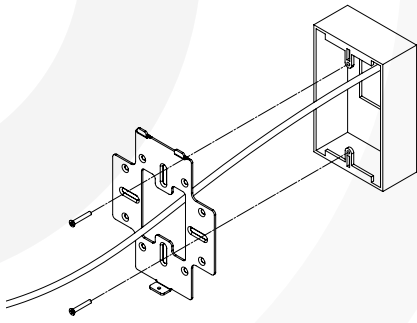
- A new, improved GUI makes it easy to set up in minutes.
- Cloud-Based Firmware Updates notify users of new firmware and allow easy updates with the click of a button
- Powered by PoE+ Power for easy installation without wall plugs

Architectural Aesthetics

Sleek Look

A high quality polycarbonate housing and integrated internal antennae creates a sleek, architectural look that blends perfectly into any installation.





Easy Wall or Ceiling Mount

Included wall and ceiling mount brackets allow the WK-1 and WX-1 to quickly and easily mount to standard or drop-tile style ceilings and walls. With just a few screws, the WK-1 and WX-1 can be easily and safely secured in moments.



In-Wall or In-Ceiling (WX Only)

With the In-Ceiling bracket (sold separately), the WX-1 can be mounted flush with any wall or ceiling for a nearly invisible look without loss of performance.

Decide what's right for you

	WK-1	WX-1
MIMO	2x2	3x3
Mounting Style	Desk, On-Wall, On-Ceiling	Desk, On-Wall, On-Ceiling, In-Wall, In-Ceiling
Throughput vs N	3x	5x
# SSIDs	16	16
Guest SSIDs	2	2
Channel Widths	20MHz, 40MHz, 80MHz	20MHz, 40MHz, 80MHz
Color	Black, White	Black, White



Custom Engineering

The WK-1 and WX-1 are Pakedge Custom Engineering-ready, allowing dealers to create their own, customized configurations and co-branding for a simple, plug-and-play out of the box experience. Contact sales@pakedge.com for more information.

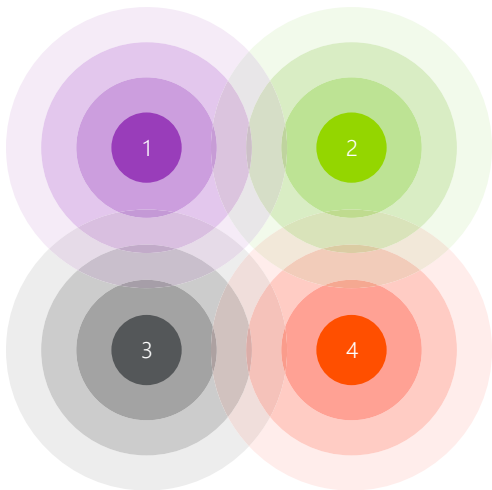
C36 Wireless Controller

True Wireless Harmony

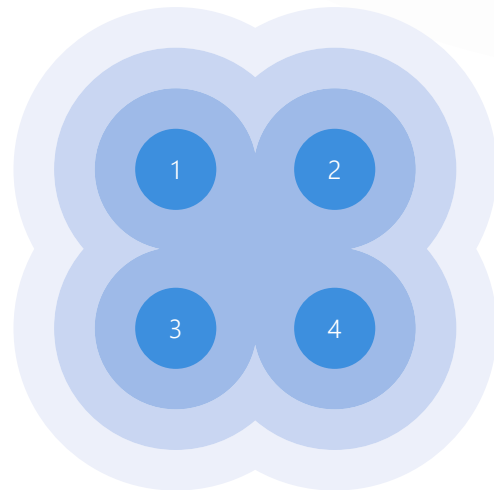
In a network without a wireless controller, the wireless access points are unaware of each other and act independently - resulting in sub-optimal network performance, coverage gaps, and unreliable connectivity. AP settings may not be applied consistently throughout the network - leading to incompatible policy application and enforcement, and potential problems with rogue access points and devices.

The C36 eliminates these problems by working in conjunction with up to 30 WK and WX Wireless Access Points.

The C36 Wireless Controller serves as the command, coordination, and control center of a wireless network with multiple access points. It provides seamless, scalable, reliable wireless network access by managing each access point and optimizing wireless coverage with a suite of performance enhancing technologies.



Without C36



With C36

Unified, Seamless Coverage

The C36 utilizes adaptive wireless technologies to allow a unified team of access points to work in conjunction with one another, creating a more seamless wireless environment with fewer dead zones between APs. Smartwav™ technology mitigates interference, enabling higher effective ranges with greater throughput and alleviates connectivity issues that occur when wireless signals overlap. With fewer handoffs, users will enjoy a wireless experience with fewer dropped connections.

C36 Wireless Controller

Key Features

Optimized Wireless

The C36 provides optimized wireless performance - enhancing speed and coverage while mitigating interference.

Fast Synchronized Deployment

Automatic detection and configuration of APs, site surveys, a GUI wizard, heat maps, and visualization tools make expanding a network simple.

Enhanced Security

The ability to establish, push, and manage security settings across the network, integrated individual device blocking and broadcast scheduling prevents security holes and provides a unified, secure wireless network.

Simple Management

Configure up to 30 APs from any device on the network, all on one page.

Centralized Reporting

Quickly and easily obtain information about any access point or client device on the network from anywhere in the world using BakPak Cloud mobile and web apps.



C36 Specifications

Interface	
Total Network Interfaces	2
Auto MDIX auto-sensing 10/100/1000 (Copper, RJ-45)	1
Console Port (Copper, RJ-45)	1
USB Interfaces	2 (USB 2.0)
HDMI Interfaces	1
Dimensions	
Height x Width x Depth	1.675in x 17.026in x 9.202in (4.254cm x 43.246cm x 9.202cm)
Weight	7.35lbs (3.33kg) - Controller 9.7lbs (4.39kg) - Packaged
1U Rack Mountable	Yes
System Performance	
Managed APs	Up to 30
WLANs	Depends on AP
Multimedia & Quality of Service	
802.11e/WMM	Supported
Client Load Balancing	Supported (v2)
Client Capacity Limit	Supported (v2)
Suppressed SSIDs	Supported
Environment	
Power Input	110-240v AC
Power Consumption	55w
Operating Temp	0° - 40°C (32° - 104° F)
Operating Humidity	95% non-condensing
Storage Temp	-20° - 80°C (-4° - 176° F)
Storage Humidity	95% non-condensing
Management	
Configuration	Web user interface, CLI, SNMP v1, v2, v3
AAA	RADIUS (v2)
AP Provisioning	Auto-upgrade, Auto channel & power optimization, VLAN tagging, Spanning Tree, Heat Map (v2)
Centralized Management	Supported
Centralized Reporting	Supported
Site Survey	Rogue AP Detection
Security	
Standards	WEP, WPA, WPA2, IPv4, IPv6, PSK (v2), AES
MAC Filtering	Supported
Guest Network	Supported

Package Contents

C36 Wireless Controller, Console Cable, Rack Mounting Hardware, Power Cable and Quick Start Guide

Access Point Specifications

Access Point	WK-1	WX-1
Wireless Protocols	802.11ac/a/b/g/n	802.11ac/a/b/g/n
Wireless Band	2.4, 5GHz	2.4, 5GHz
Max SSIDs	8 per band	8 per band
Guest SSIDs	2	2
C36 Compatible	✓	✓
Transmit Power	29dBm on 2.4Ghz, 27dBm on 5Ghz	29dBm on 2.4Ghz, 27dBm on 5Ghz
Receive Sensitivity	-91dBm	-87dBm
Antenna Configuration	2x2	3x3
Ports	2x LAN, Console, Power	LAN, Power, Ethernet
Encryption Options	WPA2 PSK, WPA	WPA2 PSK, WPA
Input Power	PoE+ 802.3at or 12V/1.5A with includ- ed PSU	PoE+ 802.3at or 110- 220VAC
Operating Temperature	0° - 45°C (32° - 113°F)	0° - 45°C (32° - 113°F)
Storage Temperature	-25° - 60°C (-13° - 140°F)	-25° - 60°C (-13° - 140°F)
Humidity	10%-90% non- condensing	10%-90% non- condensing
Mounting Options	Wall Bracket, Ceiling T-Bar	Wall Bracket, Ceiling T-Bar
Dimensions (LxWxH)	8" x 7.5" Depth: 1.63" Base: 6.2" x 6.4"	9.81" x 7.05" Depth: 1.44 in Base: 7.76" x 5.55"
Buttons	Reset	Reset
LEDs	Power, 2x Ethernet, 2.4GHz, 5GHz	Power, Ethernet, 2.4GHz, 5GHz
Weight (lbs)	4	4
Certifications	FCC, CE, IC, RoHS	FCC, CE, IC, RoHS, UL
Colors	White, Black	White, Black

Package Contents

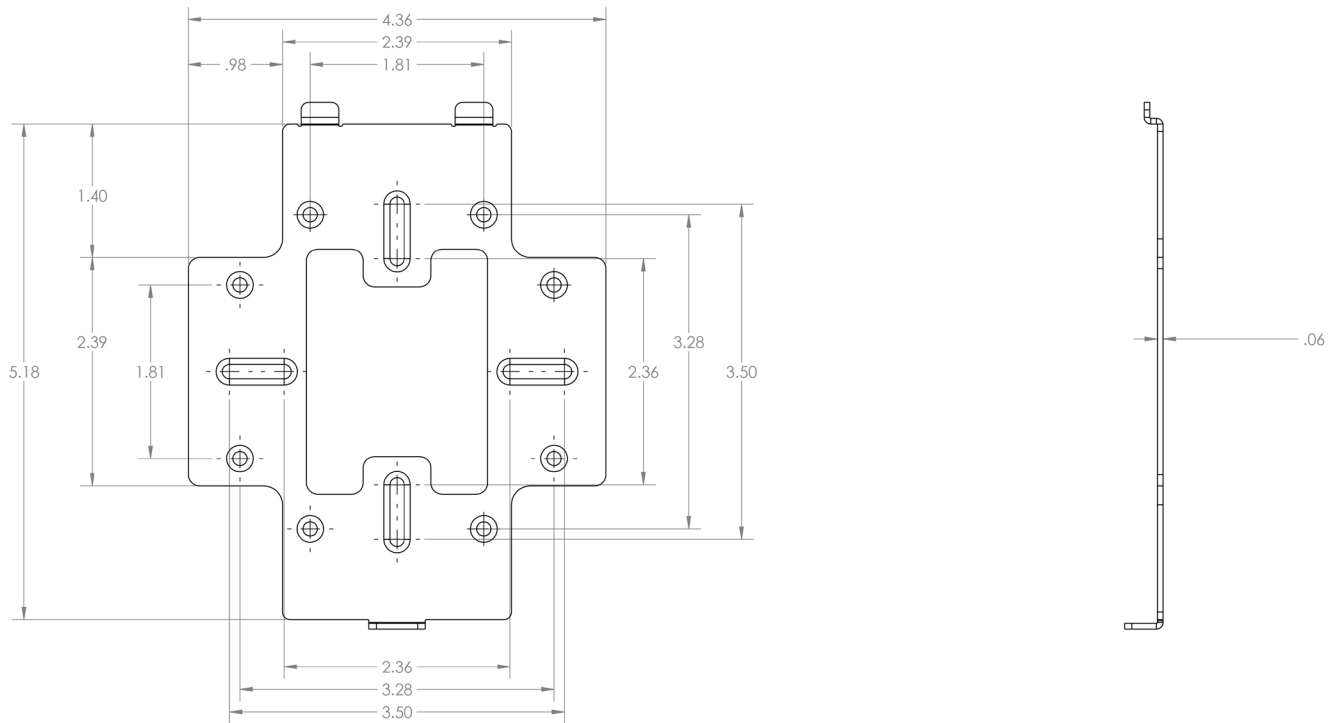
WK-1: WK-1 Access Point, Ethernet Cable, Power Supply Adapter, RJ45 clip, Torx screw driver, Rubber feet, Wall mount kit, T-Bar mounting adapter, Quick Start Guide

WX-1: WX-1 Access Point, Ethernet cable, Power supply adapter, RJ45 clip, Torx screw driver, Rubber feet, Wall mount kit, T-bar mounting adapter, Quick Start Guide

Warranty

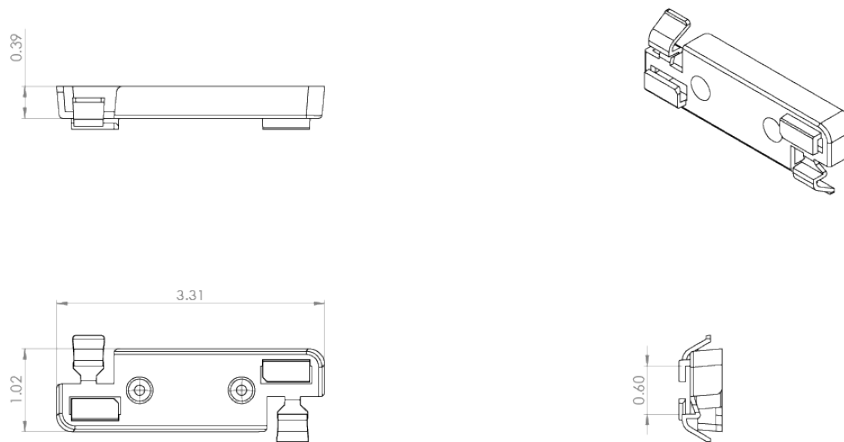
Pakedge Device & Software offers a 3-year limited warranty. Pakedge Device & Software will repair or replace products that do not perform as specified within 3 years of the date of purchase due to a defect in materials, workmanship, or functionality.

Wall Mounting Bracket Specifications



Dimensions in Inches


Drop Ceiling T-Bar Mount



Dimensions in Inches

pakedgedevice&software inc.

 3847 Breakwater Avenue,
Hayward, CA 94545

 17011 Beach Blvd. Suite 600
Huntington Beach, CA 92647

 www.pakedge.com

 sales@pakedge.com

 +1 (650) 385-8702

Connect+ Certified

The Pakedge Connect+ Platform is a carefully integrated system of switches, routers, wireless, power management and software technologies, designed specifically to work with each other to deliver seamless, scalable, and reliable multimedia networking performance. When unified with the BakPak Cloud Management System, the functionality of the Pakedge Connect+ Platform is extended with cloud-enabled services such as monitoring and management of all connected devices anywhere, any time, and from any device.

Why Pakedge?

- Purpose-built for A/V networking applications
- Enterprise-level performance
- Seamless, scalable, and reliable
- End-to-end network system solutions
- Free lifetime technical support
- Free lifetime firmware updates and functionality support

About Pakedge Device & Software

Pakedge is an industry leading manufacturer of high performance end-to-end networking platforms for residential and commercial A/V applications. Recognized by industry peers and winner of the prestigious CEPro Brand Leader award for Networking in 2013 and 2014, Pakedge specializes in integrating high performance engineering innovations, operational simplicity, and systems engineering to develop technology that enables customers to unleash the power of their network.