

# SNO-5080R



1.3Megapixel HD Weatherproof Network IR Camera

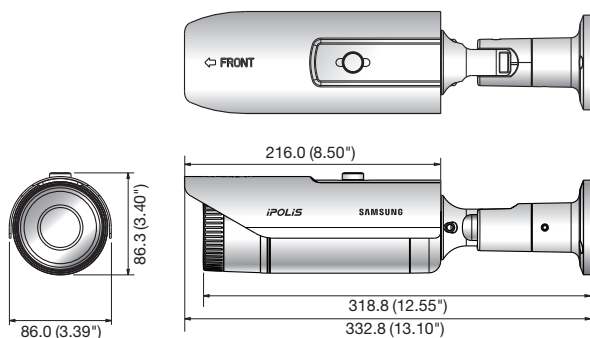


## Key Features

- Max. 1.3M (1280 x 1024) resolution
- 16 : 9 HD (720p) resolution support
- 2.8 ~ 10mm (3.6x) varifocal lens
- H.264, MPEG-4, MJPEG multiple codec
- Multiple streaming
- Intelligent video analytics
- IR LED (31ea), PoE, IP66, IK10

## Dimensions

Unit : mm (inch)



SNO-5080RN/P	
<b>VIDEO</b>	
Imaging Device	1/3" 1.3M PS CMOS
Total Pixels	1,384(H) x 1,076(V)
Effective Pixels	1,329(H) x 1,049(V)
Scanning System	Progressive
Min. Illumination	Color : 0.3Lux (F1.2, 50IRE), 0.005Lux (Sens-up 60x) B/W : 0Lux (F1.2, 50IRE, IR LED on)
S / N Ratio	50dB
Video Output	DIP connector type, 704 x 480(N), 704 x 576(P), for installation
<b>LENS</b>	
Focal Length (Zoom Ratio)	2.8 ~ 10mm (3.6x) varifocal
Max. Aperture Ratio	F1.2
Angular Field of View	H : 94.6°(Wide) ~ 28.8°(Tele) / V : 68.4°(Wide) ~ 21.6°(Tele)
Focus Control	Manual
Lens Type	DC auto iris
Mount Type	Board-in type
<b>OPERATIONAL</b>	
IR LED	31ea
Viewable Length	30m (98.43ft)
Camera Title	Off / On (Displayed up to 15 characters)
Day & Night	Auto (ICR) / Color / B/W
Backlight Compensation	Off / BLC / HLC
Contrast Enhancement	SSDR (Samsung Super Dynamic Range) (Off / On)
Digital Noise Reduction	SSNRIII (2D+3D noise filter) (Off / On)
Motion Detection	Off / On (4 programmable zones)
Privacy Masking	Off / On (1ea 4 point polygonal + 12ea rectangular zones)
Sens-up (Frame Integration)	Off / Auto (2x ~ 60x)
Gain Control	Off / Low / Medium / High / Manual
White Balance	ATW / AWC / Manual / Indoor / Outdoor
Electronic Shutter Speed	Auto / A.FLK / Manual (1/30 ~ 30,000sec)
Flip / Mirror	Off / On
Intelligent Video Analytics	Tampering, Virtual line, Enter / Exit, Appear / Disappear
Alarm I/O	Input 1ea / Output 1ea (Relay)
<b>NETWORK</b>	
Ethernet	RJ-45 (10/100BASE-T)
Video Compression Format	H.264, MPEG-4, MJPEG
Resolution	1280 x 1024, 1280 x 720P (HD), 1024 x 768, 800 x 600, 640 x 480, 320 x 240
Max. Framerate	H.264 : 30fps, MJPEG : 30fps (1280 x 1024, 720P (HD))
Video Quality Adjustment	H.264, MPEG-4 : Compression level, Target bitrate level control MJPEG : Quality level control
Bitrate Control Method	H.264, MPEG-4 : CBR or VBR, MJPEG : VBR
Streaming Capability	Multiple streaming (Up to 10 profiles)
IP	IPv4, IPv6
Protocol	TCP/IP, UDP/IP, RTP(UDP), RTP(TCP), RTSP, NTP, HTTP, HTTPS, SSL, DHCP, PPPoE FTP, SMTP, ICMP, IGMP, SNMPv1/v2c/v3(MIB-2), ARP, DNS, DDNS, QoS
Security	HTTPS(SSL) login authentication, Digest login authentication IP address filtering, User access log, 802.1x authentication
Streaming Method	Unicast / Multicast
Max. User Access	10 users at unicast mode
ONVIF Conformance	Yes (Profile S)
Webpage Language	English, French, German, Spanish, Italian, Chinese, Korean, Russian, Japanese, Swedish, Danish, Portuguese, Turkish, Polish, Czech, Rumanian, Serbian, Dutch, Croatian, Hungarian, Greek, Norwegian, Finnish
Web Viewer	Supported OS : Windows XP / VISTA / 7, MAC OS Supported Browser : Internet Explorer 6.0/7.0/8.0, Firefox, Google Chrome, Apple Safari
Central Management Software	SmartViewer
<b>ENVIRONMENTAL</b>	
Operating Temperature / Humidity	-10°C ~ +55°C (+14°F ~ +131°F) / Less than 90% RH
Ingress Protection	IP66
Vandal Resistance	IK10
<b>ELECTRICAL</b>	
Input Voltage / Current	12V DC, 24V AC, PoE (IEEE802.3af)
Power Consumption	Max. 11W
<b>MECHANICAL</b>	
Color / Material	Dark gray / Metal
Dimensions (WxHxD)	86.0 x 86.3 x 332.8mm (3.39" x 3.40" x 13.10")
Weight	1.3Kg (2.87 lb)

\* The latest product information / specification can be found at [www.samsungsecurity.com](http://www.samsungsecurity.com)