

PRODUCT TECHNICAL DATASHEET

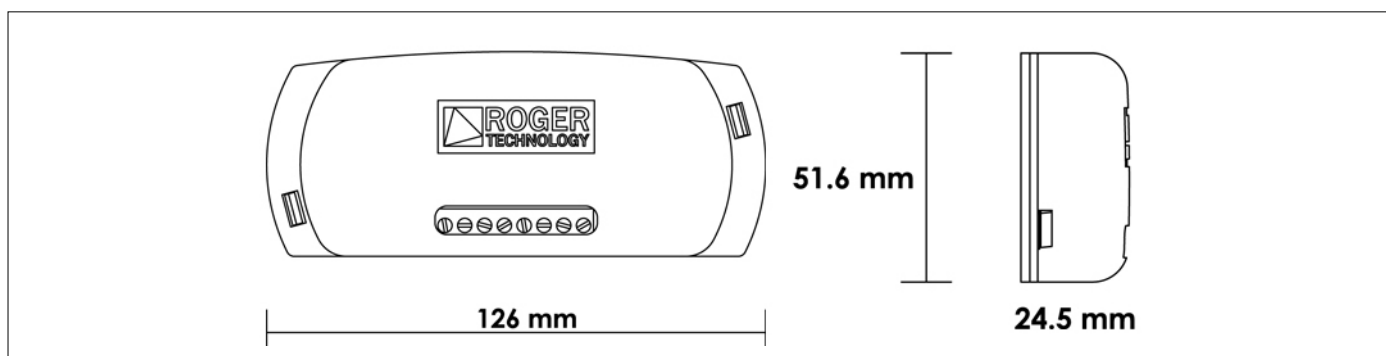
R93/RX433/U



CODE	DESCRIPTION	PCS/PALLET
R93/RX433/U	Radio receiver fixed code / rolling code 2 channels universal 433,92 MHz in plastic box.	

PRODUCT TECHNICAL SPECIFICATIONS	
Standard power	12/24V AC/DC
Absorption	30mA
Operating temperature	-10+55°C
Number of channels	2
Codification	Fix code or Rolling Code
Modulation	AM/ASK - FM/FSK
Carried frequency	433.92 Mhz
Relay contacts max current	0.5A
Relay contacts max voltage	24V AC/DC
Exit	Relay
Storable codes	Fixed code: 1000 - Rolling code: 250 (in basic mode), 1000 (in advanced mode)
Sensibility	-107 dBm
Input impedance	50
Maximum dimension product in mm (L x W x H)	126 x 52 x 25
Product weight packed (Kg)	0,07

PRODUCT DIMENSIONS AND PREPARING FOR INSTALLATION



DIMENSIONS