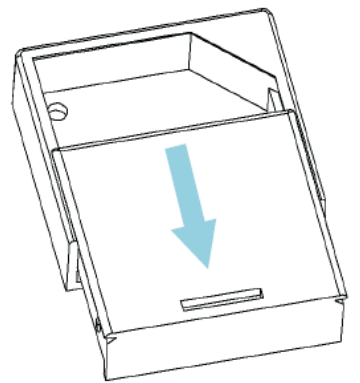


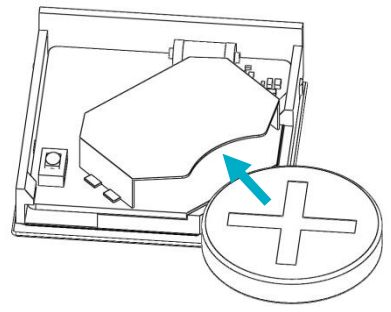
GARAGE DOOR (TILT) SENSOR INSTALLATION GUIDE



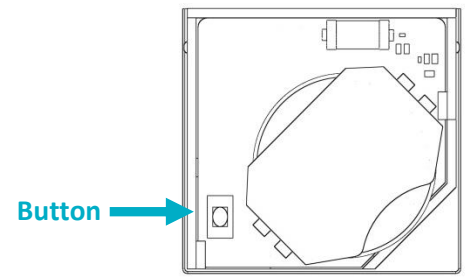
STEP 1: INSTALL BATTERY



Slide open the Garage Door Sensor's top housing. Install the CR2032 battery in the housing top as shown below.



STEP 2: JOIN THE NETWORK



Users:
Refer to the instructions on your web portal or smart phone application to join and configure the Garage Door (Tilt) Sensor.

Developers:
Refer to NYCE'S "ZigBee Device Messaging Specification" document for details on how to join the Garage Door (Tilt) Sensor to the ZigBee network.

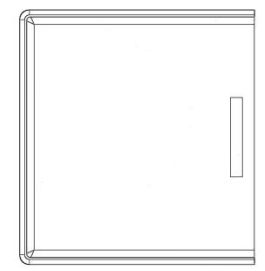
This document can be found on NYCE's Website Support page: www.nycesensors.com/support/

STEP 3: PROPER DEVICE ORIENTATION

Mount the Garage Door Sensor on a horizontal pane of the garage door. The Sensor should be mounted on the top pane (fully closed) or bottom pane (fully open), depending on the desired operation. A pair of sensors can be used on both bottom and top panes for full garage door reporting, if desired.

Ensure that the Garage Door Sensor is oriented with the bar symbol vertical, parallel to the edge of the garage door, as shown in the diagram below on the left.

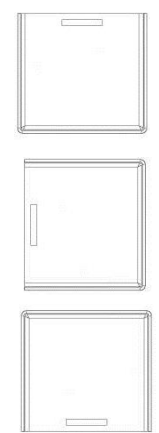
CORRECT ALIGNMENT



Garage Door Sensor

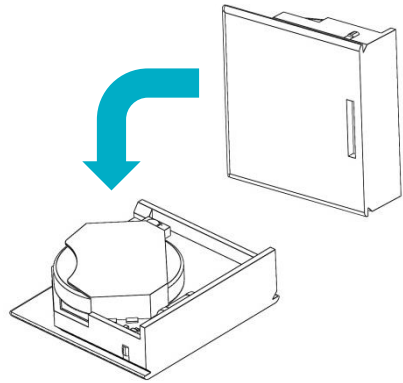
Right edge of Garage Door

INCORRECT ALIGNMENT



Right edge of Garage Door

STEP 4: TEST THE SENSOR

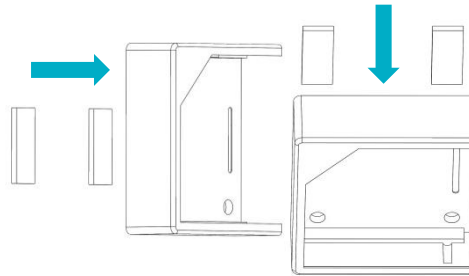


Test the Sensor from the desired location before permanently installing it by flipping it forward as shown above, this is the same action as the garage door opening. Check that the Sensor is reporting a Closed or Open message from both orientations.

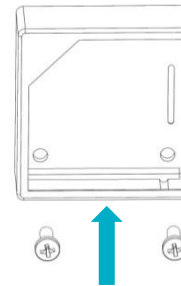
STEP 5: INSTALL THE SENSOR HOUSING

Using the methods shown below, install the Garage Door Sensor bottom housing on a clean surface.

OPTION 1: 2-SIDED TAPE



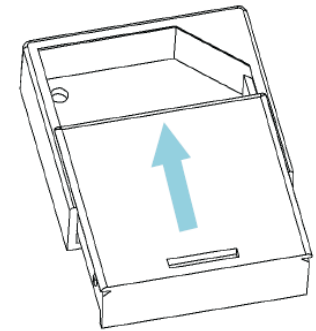
OPTION 2: SCREWS



Notes: Installation on metal surfaces can reduce transmission range. Ensure that the device is installed in a dry location away from water, moisture and rain.



STEP 6: INSTALL THE SENSOR



Once you have installed the bottom housing and confirmed the device is communicating, insert the sensor top housing as shown above

PRODUCT FUNCTION AND LED INDICATORS

BUTTON	LED	ACTION	LED	DESCRIPTION
2 TIMES	●●	NETWORK STATUS	●●●● ●●●● ●●●●	JOINED NOT JOINED RE-JOIN IN PROCESS
4 TIMES	●●●●	NETWORK JOIN	●●●● ●●●● ●●●● ●●●● ●●●●	SEARCHING FOR NETWORK DEVICE BEING CONFIGURED DEVICE JOINED DEVICE FAILED TO JOIN
8 TIMES	●●●●●●●●	FORCED RE-JOIN	●●●●	RE-JOIN, SEARCHING FOR PARENT
10 TIMES	●●●●●●●●●●	NETWORK LEAVE AND DEFAULT	●●●● ●●●●●●	LEAVE (IF JOINED) AND DEFAULTS RESTORED
		NO ACTION	● ●●●	WRONG BUTTON PRESS DEVICE BUSY
		POWER UP	●●●●●●	

