

Rack-Mount Brackets Installation Guide

Supported Models

This guide shows you how to install rack-mount shelf and brackets for the following models:

- **C4-1URMK1-B:** Rack-Mount Shelf, 19-inch, 1 RU (for one Home Controller HC-200)
- **C4-1URMK2-B:** Rack-Mount Shelf, 19-inch, 1 RU (for two Home Controller HC-200s)
- **C4-1URMK1B-B:** Rack-Mount Shelf, 19-inch, 1 RU (for one HC-250 Controller)
- **C4-1URMK2B-B:** Rack-Mount Shelf, 19-inch, 1 RU (for two HC-250 Controllers)
- **C4-2URMK-B:** Rack-Mount Shelf, 19-inch, 2 RU (for Home Controller HC-300)
- **C4-MP2URMK-B:** Rack-Mount Shelf, 19-inch, 2 RU (for one Media Player)
- **C4-3URMK-B:** Rack-Mount Bracket, with ventilation, 19-inch, 3 RU (for Multi Tuner or 4-Zone Amplifier)
- **C4-3URMK-NV-B:** Rack-Mount Bracket, non-vented, 19-inch, 3 RU (for Multi Tuner or 4-Zone Amplifier)
- **C4-4URMK-B:** Rack-Mount Bracket, with ventilation, 19-inch, 4 RU (for Multi Channel Amp or Audio Matrix Switch)
- **C4-4URMK-NV-B:** Rack-Mount Bracket, non-vented, 19-inch, 4 RU (for Multi Channel Amp or Audio Matrix Switch)

Description

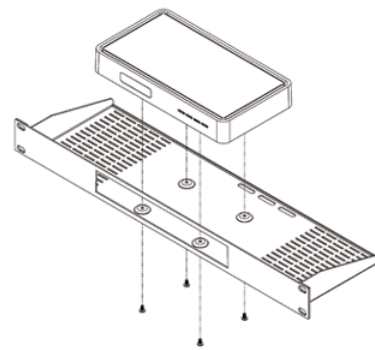
The Control4® rack-mount shelf and rack-mount brackets are intended for use with a variety of Control4 rack-mountable devices for secure placement on an equipment rack.

Installing One HC-200 on a Rack-Mount Shelf

Use the rack-mount shelf (C4-1URMK1):

- 1 Align the bottom of the Controller with the four (4) holes in the bottom of the shelf.

Figure 1. HC-200 and Rack-Mount Shelf



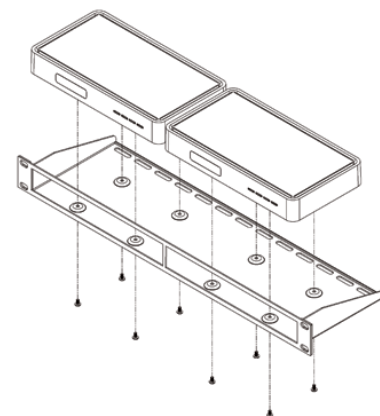
- 2 Screw in the four (4) 6-32 x .25 pan-head screws (included).

Installing Two HC-200s on a Rack-Mount Shelf

Use the rack-mount shelf (C4-1URMK2-B):

- 1 Align the Controllers with the four (4) holes on the right or left.

Figure 2. HC-200s and Rack-Mount Shelf



- 2 Screw in the 6-32 x .25 pan-head screws (included).

Rack Mount Brackets Installation Guide

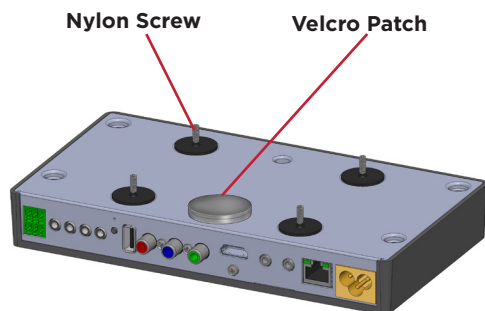
- 3 Screw in the four (4) 6-32 x .25 pan-head screws (included).
- 4 Screw in the 6-32 x .25 pan-head screws (included).

Installing One HC-250 on a Rack-Mount Shelf

Use the rack-mount shelf model C4-1URMK1B-B (for one HC-250) or C4-1URMK2B-B (for two HC-250s), the package that includes the plastic screws (four for one HC-250; eight for two HC-250s), and the velcro patch (one for one HC-250; two for two HC-250s):

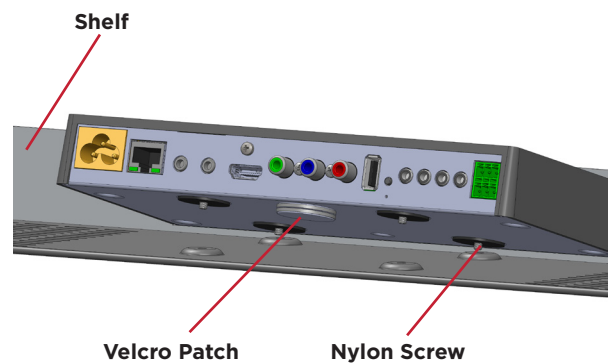
- 1 Turn the Controller upside down and insert the four (4) nylon screws into the four (4) holes on the Controller (see Figure 3).
- 2 Remove the paper from the sticker cover on the the velcro patch and apply it to the Controller (see Figure 3).

Figure 3. HC-250 with Screws and Patch



- 3 Turn the Controller right-side up and align the nylon screws with the screw holes on the rack shelf (see Figure 4).

Figure 4. Place HC-250 on Shelf



- 4 Remove the second paper sticker cover from the velcro patch (see Figure 4) and press the patch into place on the shelf so that it aligns with the velcro patch you applied to the Controller.
- 5 Lower the Controller onto the velcro patch on the shelf so the two patches stick together.
- 6 To remove the Controller easily, lift the Controller off of the shelf.

Installing Two HC-250s on a Rack-Mount Shelf

Use the rack-mount shelf model C4-1URMK2B-B.

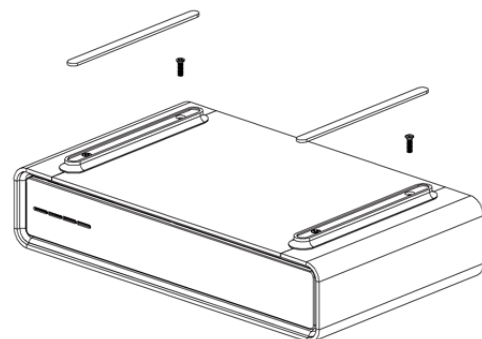
To install two (2) HC-250 Controllers on a shelf, follow the same instructions as in "Installing One HC-250 on a Rack-Mount Shelf."

Installing an HC-300 on a Rack-Mount Shelf

Use the rack-mount shelf (C4-2URMK-B):

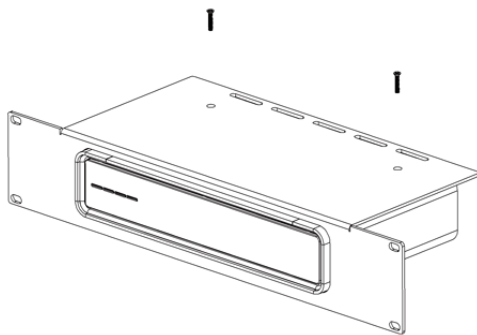
- 1 Remove the two (2) rubber strips from the bottom.
- 2 Remove the two (2) rear screws from the bottom.

Figure 5. HC-300 Upside Down



- 3 Slide the rack-mount bracket over the HC-300.
- 4 Install the two (2) 6-32 x 3/4" flat-head screws (included).

Figure 6. HC-300 Rack-Mount Bracket with Shelf (Upside Down)



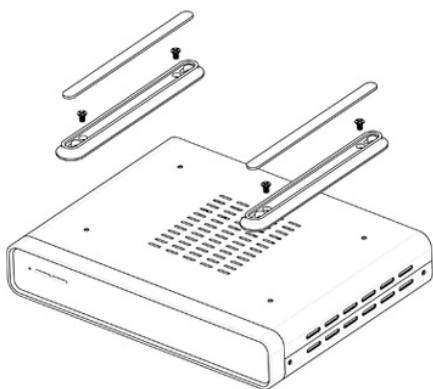
- 5 Screw in the 6-32 x .25 pan-head screws (included).

Installing One Media Player on a Rack-Mount Shelf

Use the rack-mount shelf (C4-MP2URMK-B):

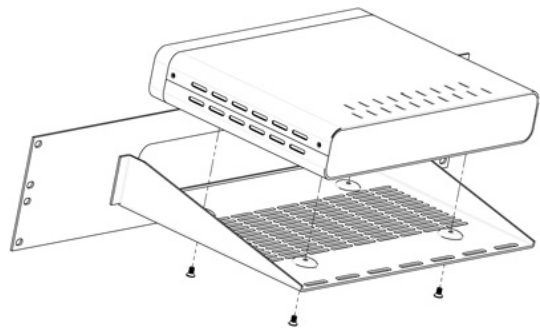
- 1 Remove the two (2) rubber strips from the bottom.
- 2 Remove the four (4) rear screws from the bottom.
- 3 Remove the two (2) hard plastic strips from the bottom.

Figure 7. Media Player Upside Down



- 4 Turn the device over. Slide and adjust the device on the shelf to align it over the four (4) screw holes on the shelf.

Figure 8. Media Player Rack-Mount Bracket with Shelf (Right-Side Up)

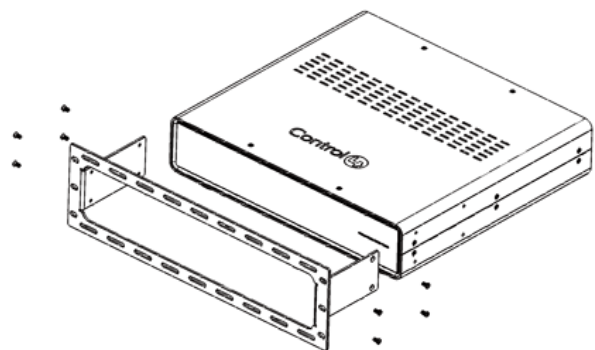


Installing a Rack-Mount Bracket on a 4-Zone Amp or a Multi Tuner

Use either the rack-mount shelf (C4-3URMK-B) or (C4-3URMK-NV-B) on the Multi Tuner or 4-Zone Amp:

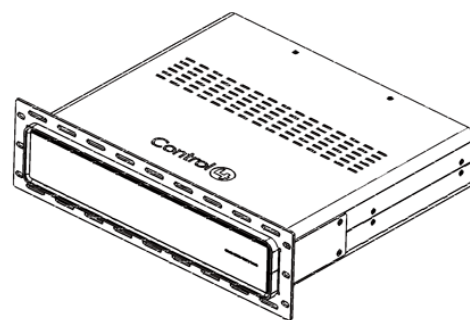
- 1 Slide the rack-mount bracket onto the unit. Align the holes on the bracket edge with the holes on the device.

Figure 9. Rack-Mount Bracket Off



- 2 Mount the bracket using eight (8) 8-32 x 3/8" flat-head screws (included).

Figure 10. Rack-Mount Bracket Installed



Installing Rack-Mount Brackets on a Multi-Channel Amp or an Audio Matrix Switch

Use either the rack-mount bracket (C4-4URMK-B) or (C4-4URMK-NV-B) on an Audio Matrix Switch or on a Multi Channel Amp.

Follow the same steps as in “Installing a Rack-Mount Bracket on a 4-Zone Amp or a Multi Tuner.”

Recycling

For information about Control4's recycling program, go to www.control4.com/recycling.

Warranty

Limited 2-year Warranty. Go to <http://www.control4.com/warranty> for details.

About This Document

Part number: 200-00064 Rev. J, 5/11/2012