

# PRODUCT TECHNICAL DATASHEET

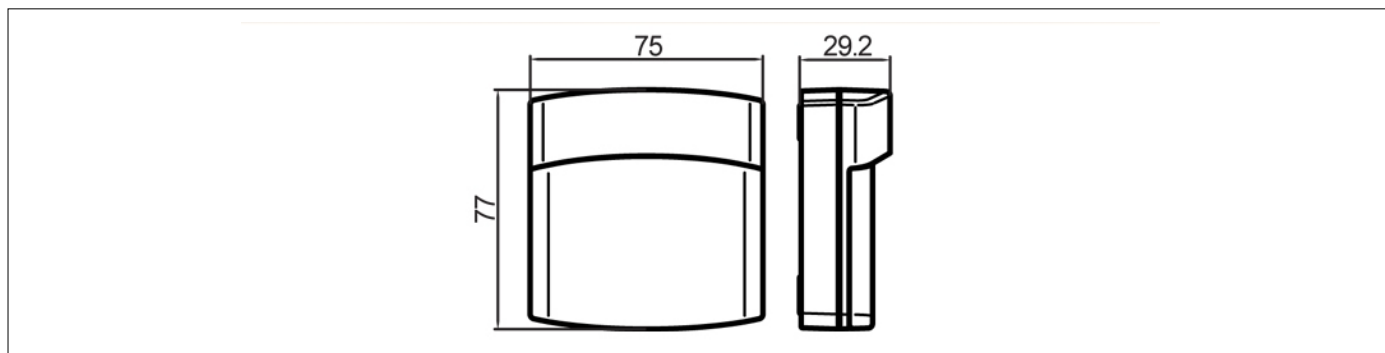
# G90/F4ES



CODICE	DESCRIZIONE	PZ/PALLET
G90/F4ES	Pair of external photocells synchronized 24V AC/DC up to 4 pair.	

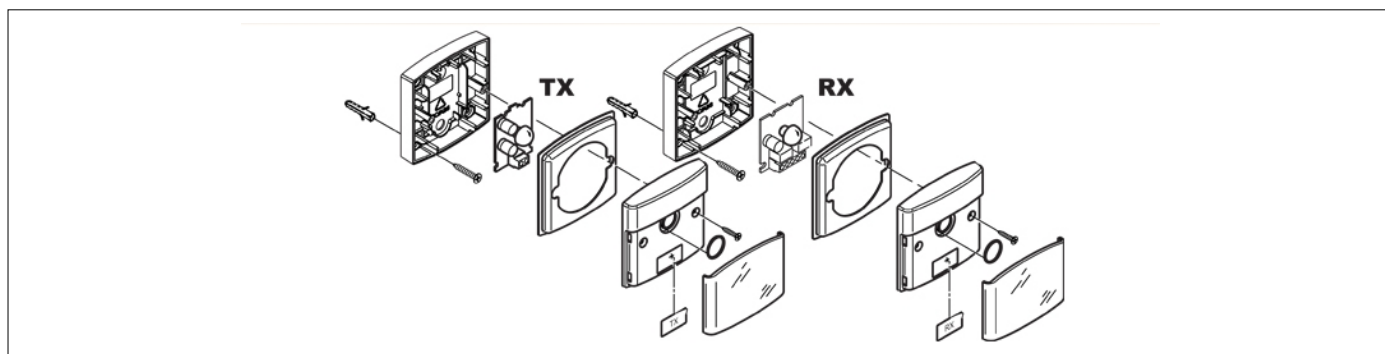
SPECIFICHE TECNICHE PRODOTTO	
Standard power	24V AC 50Hz - 24V DC
Absorption	TX 18 mA - RX 27 mA
Operating temperature	-20+55°C
Protection level	IP55
Maximum distance in open field	10 - 15 m
Maximum number of photocells synchronized	4
Orientation angle	-
Relay contacts max current	0,5A RX
Relay contacts max voltage	30V
Installation Type	External
Maximum dimension product in mm (L x W x H)	77 x 75 x 29,2
Product weight packed (Kg)	0.2

# DIMENSIONI



DIMENSIONS

# PREDISPOSIZIONI INSTALLAZIONE STANDARD

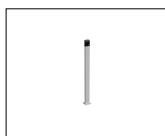


PREDISPOSITION FOR STANDARD INSTALLATION

# PRODOTTI ACCESSORI



CRA50  
Column H 500 for photocell  
G90/F2ES - G90/F4ES.



CRA100  
Column H 1000 for photocell  
G90/F2ES - G90/F4ES.