

PRODUCT TECHNICAL DATASHEET

FIFTHY/24

24V DC 

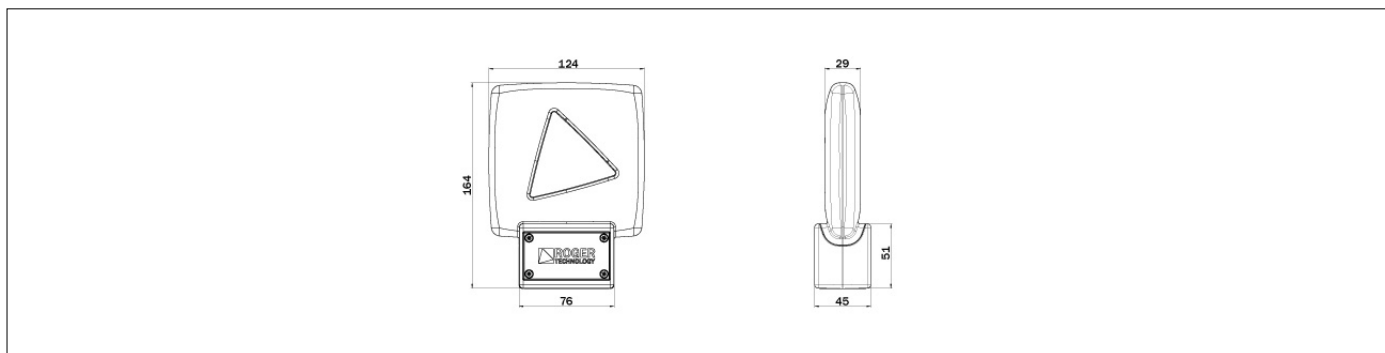


CODE	DESCRIPTION	PCS/PALLET
FIFTHY/24	LED flashing light 24V with integrated antenna.	48

PRODUCT TECHNICAL SPECIFICATIONS

Standard power	24V AC/DC +/- 10%
Operating temperature	-20+55 °C
Protection level	IP55
Max flashing light charge	6,5W
Tuning frequency	433.920 MHz
Modulation	1Hz
Type of light	24 LED
Maximum dimension product in mm (L x W x H)	124 x 45 x 164
Product weight packed (Kg)	0,3
Number items per pallet/box	48

PRODUCT DIMENSIONS AND PREPARING FOR INSTALLATION



DIMENSIONS

PRODUCT ACCESSORIES



KT243

Support bracket for flashing
light FIFHTY series.