



EasyGate

Swing & Sliding Speed Gates



The EasyGate speed gate range represents the latest innovation in entrance control systems, combining high security with user comfort. The combination of stainless steel together with glass, wood or other material (corian, black stainless steel or others) create an attractive aesthetic design. The powerful drive unit provides a large number of operating modes, good accessibility and a high level of personal safety.

A wide range of cabinet shapes, design and surface finishes, ensures that the turnstile will seamlessly fit into any interior decor.



SWINGING TECHNOLOGY

combines the slim design of the EasyGate cabinet with a high speed drive unit. Our designers focused on fitting swing speed gates to any location whilst keeping the ability to implement a wide range of optional accessories without limitation. Moreover our technology offers different swinging models for indoors, as well as outdoor installation with the additional option of altering the cabinet length and glass wing barrier height which provides the perfect solution for all projects.

SLIDING TECHNOLOGY

also known as speed gate technology has been developed by COMINFO to the highest design and security level. Sliding opening provides an intuitive and easy passage for the users. These speed gates are adaptable and a various accessories and terminals or readers are easily integrated. The large variety of shapes and materials used for each sliding speed gate makes this turnstile suitable for any interior.

C O N T E N T S

4	EasyGate Elite	24	EasyGate BG
6	EasyGate Elite 3D Top	26	EasyGate LX/LH
8	EasyGate IM	28	EasyGate FL/FH
10	EasyGate BV	30	EasyGate SBG
12	EasyGate SPT-G/R	32	EasyGate SPA
14	EasyGate SPD-G/R	34	Interlock gate
16	EasyGate SG/SR 1000	36	Specification overview
18	EasyGate SG/SR 1400	38	Options & Accessories
20	EasyGate WN	40	Project design
22	EasyGate LG	43	EasyGate Ticket



EasyGate Elite

Type

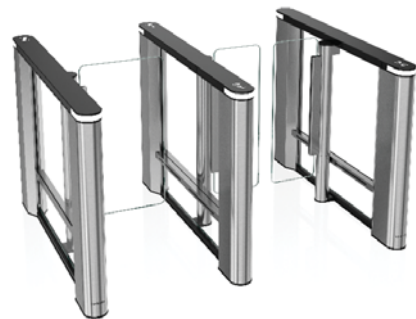
Swinging technology
1 wing / 2 wings
Round front

Safety & Security Detection

- 30 pairs of IR sensors
- Safety & Security levels
- Tailgating / Cross over detection

Dimensions

Cabinet height	990 mm	38.98"
Cabinet length	1 400 mm	55.12"
Cabinet width	120 mm	4.72"
Barrier height standard	990 mm	38.98"
Barrier height max.	1 800 mm	70.87"
Passage width standard*	650 mm	25.59"
Passage width max.*	1 100 mm	43.31"
	<i>for height of glass wing up to 1 400 mm</i>	
	max 920 mm	36.22"
	<i>for height of glass wing 1 400 - 1 800 mm</i>	

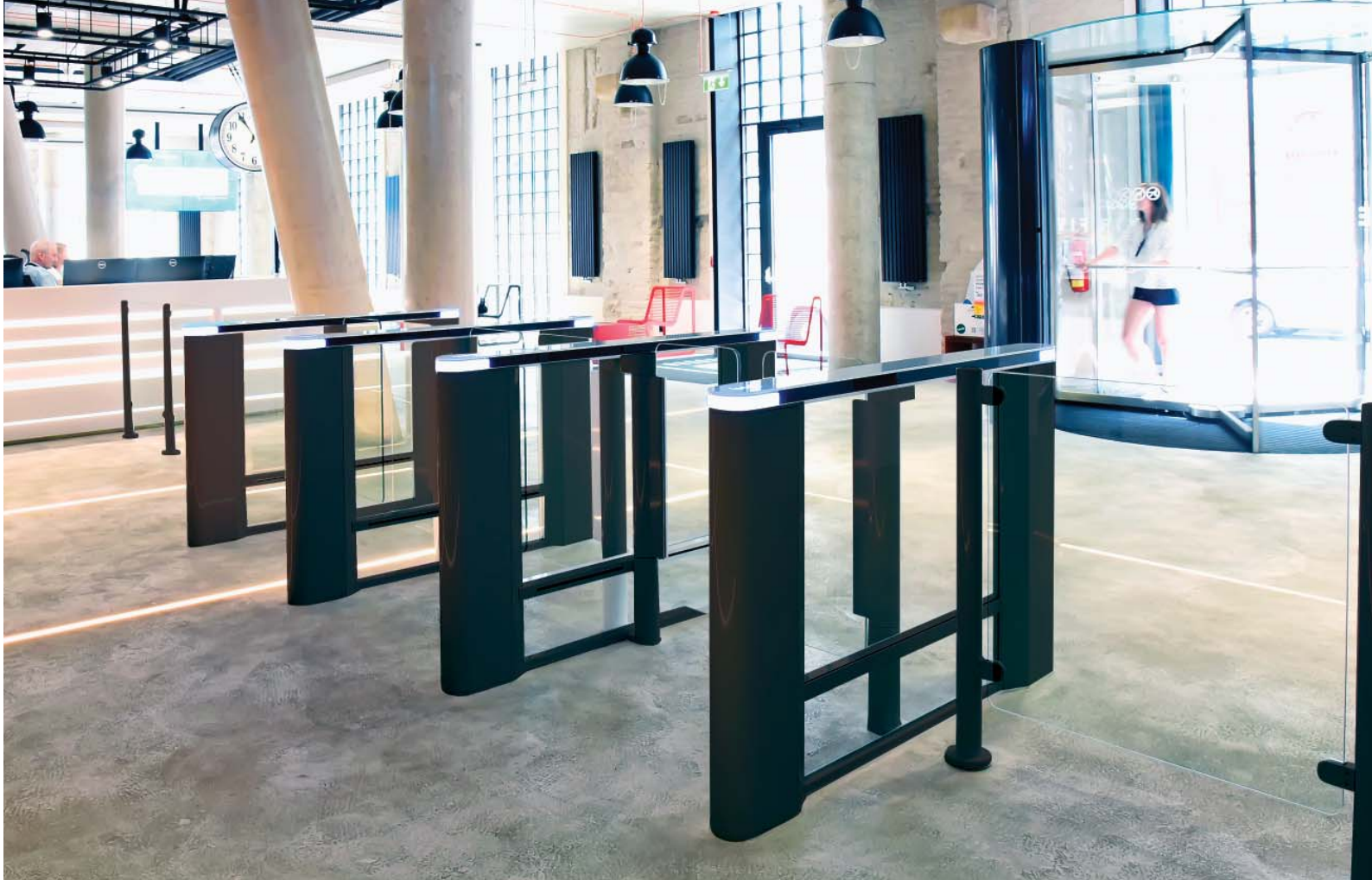


EasyGate Elite / 990 mm



EasyGate Elite / 1 800 mm

* For 2 wings type



Material and Colours

Cabinet	brushed stainless steel
Top Lid	black glass Top Lid
Barriers	glass barrier panels (10 mm / 0.39", tempered)
Side infill panel	6 mm (0.24") tempered glass panels

Operating Environment

Indoor

Drive Mechanism

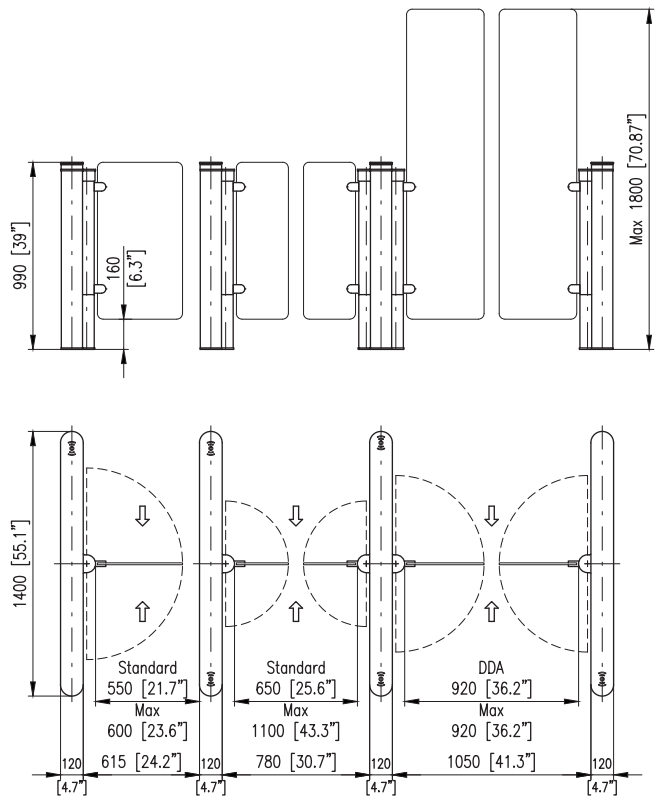
Fail-Safe

Emergency Mode

Open automatically in the exit direction

Optional Accessories

- Stainless steel top
- Solid side panels
- RFID reader bracket (flush mounted)
- Access Light / Edge Light
- WAV player
- Wing Light / Hinge capping
- USB convertor / Ethernet convertor
- EasyTouch / TouchPanel / T-MON SW
- SuperCap (emergency power back-up)
- Alternative surface finishes / Optional top finishes
- Integration of Card collector
- Ramp LT





EasyGate Elite 3D Top

Type

Swinging technology
 1 wing / 2 wings
 Round front

Safety & Security Detection

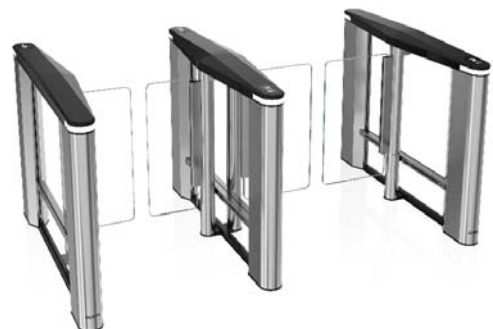
- 30 pairs of IR sensors
- Safety & Security levels
- Tailgating / Cross over detection

Dimensions

Cabinet height	1 020 mm	40.16"
Cabinet length	1 400 mm	55.12"
Cabinet width	120 mm	4.72"
Barrier height standard	900 mm	35.43"
Passage width standard*	650 mm	25.59"
Passage width max.*	1 100 mm	43.31"



EasyGate Elite 3D Top



EasyGate Elite 3D Top

* For 2 wings type



Material and Colours

Cabinet	brushed stainless steel
Top Lid	artificial wood - RAL matt finish 3D Top Lid (optional - Polyston/Corian)
Barriers	glass barrier panels (10 mm / 0.39", tempered)
Side infill panel	6 mm (0.24") tempered glass panels

Operating Environment

Indoor

Drive Mechanism

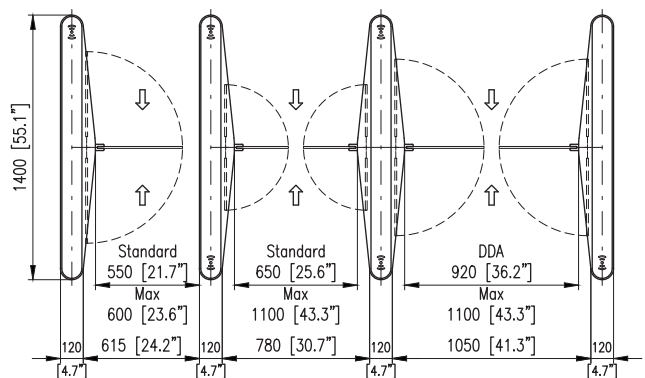
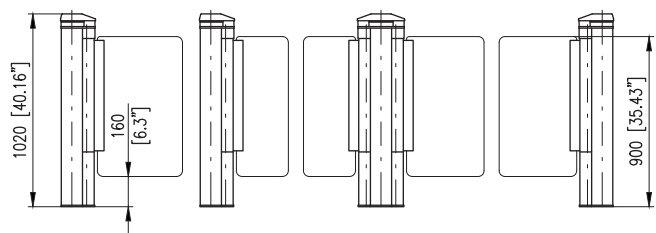
Fail-Safe

Emergency Mode

Open automatically in the exit direction

Optional Accessories

- Solid side panels
- RFID reader bracket (flush mounted)
- Access Light / Edge Light
- WAV player
- Wing Light / Hinge capping
- USB convertor / Ethernet convertor
- EasyTouch / TouchPanel / T-MON SW
- SuperCap (emergency power back-up)
- Alternative surface finishes / Optional top finishes
- Integration of Card collector
- Ramp LT





EasyGate IM

Type

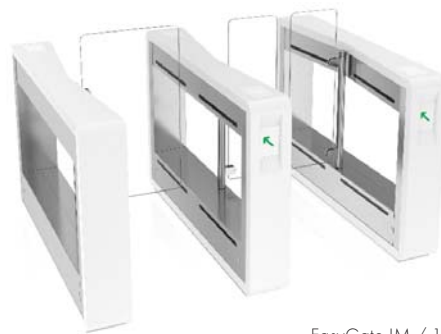
Swinging technology
 1 wing / 2 wings
 Square front

Safety & Security Detection

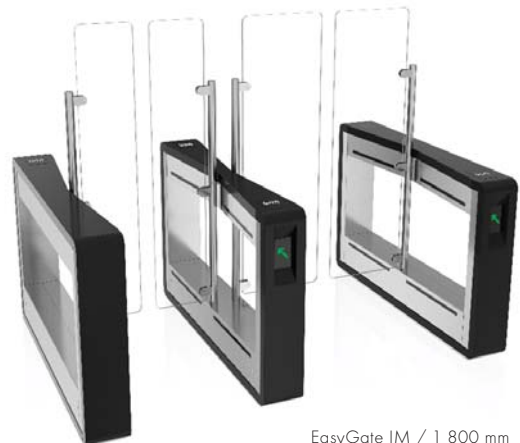
- 36 pairs of IR sensors
- Safety & Security levels
- Tailgating / Cross over detection

Dimensions

Cabinet height	995 mm	39.17"
Cabinet length	1 500 mm	59.10"
Cabinet width	210 mm	8.27"
Barrier height standard	1 200 mm	47.24"
Barrier height max.	1 800 mm	70.87"
Passage width standard*	650 mm	25.59"
Passage width max.*	1 050 mm	41.34"



EasyGate IM / 1 200 mm



EasyGate IM / 1 800 mm

* For 2 wings type



Material and Colours

Cabinet	brushed stainless steel
Top Lid	marble, corian, stone, wood
Barriers	glass barrier panels (10 mm / 0.39", tempered)

Operating Environment

Indoor

Drive Mechanism

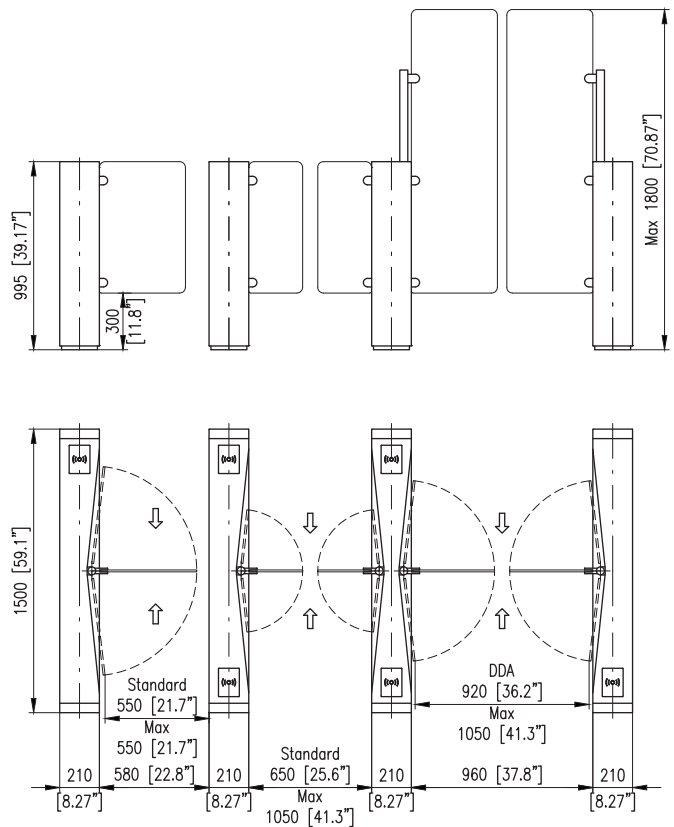
MDD drive with external tooth brake

Emergency Mode

Open automatically in the exit direction
Pushthrough feature*

Optional Accessories

- RFID reader bracket (flush mounted)
- Access Light / Lane Light
- WAV player
- Wing light / Hinge capping / Warning Light
- Pushthrough feature
- USB convertor / Ethernet convertor
- EasyTouch / TouchPanel / T-MON SW
- SuperCap (emergency power back-up)
- Alternative surface finishes / Optional top finishes
- Integration of liftCall / Card collector / BarCode scanner
- Ramp LT



* Optional accessories



EasyGate BV

Type

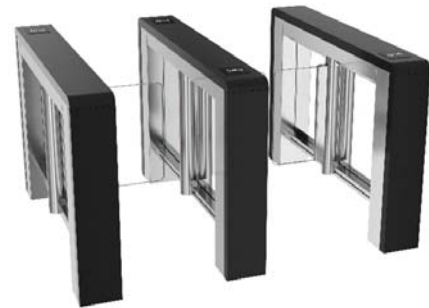
Swinging technology
 1 wing / 2 wings
 Square front

Safety & Security Detection

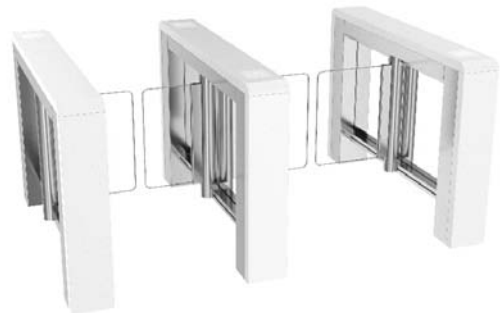
- 36 pairs of IR sensors
- Safety & Security levels
- Tailgating / Cross over detection

Dimensions

Cabinet height	990 mm	38.98"
Cabinet length	1 500 mm	59.06"
Cabinet width	200 mm	7.87"
Barrier height	800 mm	31.50"
Passage width standard*	650 mm	25.59"
Passage width max.*	1 000 mm	39.37"



EasyGate BV



EasyGate BV

* For 2 wings type



Material and Colours

Cabinet	brushed stainless steel
Top Lid	white corian
Barriers	10 mm (0.39") toughened glass
Side infill panel	6 mm (0.24") laminated glass panels

Operating Environment

Indoor

Drive Mechanism

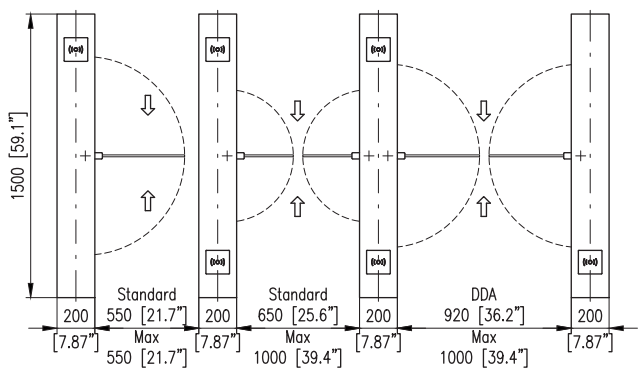
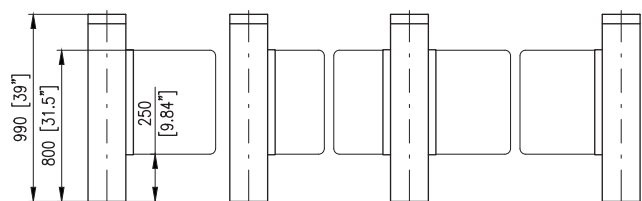
Fail-Safe

Emergency Mode

Open automatically in the exit direction

Optional Accessories

- RFID reader bracket (flush mounted)
- Access Light / Lane Light
- WAV player
- Wing light / Hinge capping
- USB convertor / Ethernet convertor
- EasyTouch / TouchPanel / T-MON SW
- SuperCap (emergency power back-up)
- Alternative surface finishes / Optional top finishes
- Integration of LiftCall / Card collector / BarCode scanner
- Ramp LT





EasyGate SPT-R

EasyGate SPT-G / SPT-R

Type

Swinging technology

1 wing / 2 wings

G model - round front

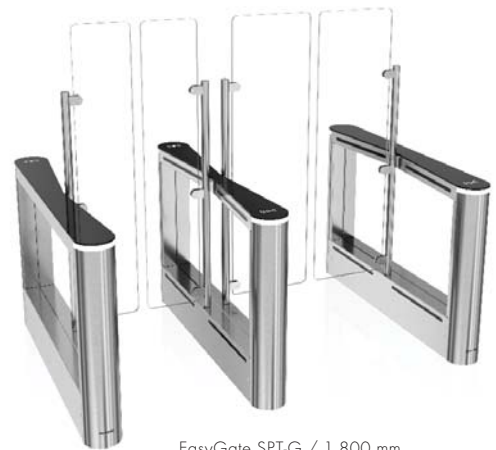
R model - square front

Safety & Security Detection

- 36 pairs of IR sensors
- Safety & Security levels
- Tailgating / Cross over detection

Dimensions

Cabinet height	975 mm	38.39"
Cabinet length	1 500 mm	59.06"
Cabinet width	180 mm	7.09"
Barrier height standard	1 200 mm	47.24"
Barrier height max.	1 800 mm	70.87"
Passage width standard*	650 mm	25.59"
Passage width max.*	1 050 mm	41.34"



EasyGate SPT-G / 1 800 mm



EasyGate SPT-R / 1 200 mm

* For 2 wings type



EpsyGate SPT-G

Material and Colours

Cabinet	brushed stainless steel
Top Lid	black glass Top Lid
Barriers	glass barrier panels (10 mm / 0.39", tempered)
Side infill panel	6 mm (0.24") laminated glass panels

Operating Environment

Indoor

Drive Mechanism

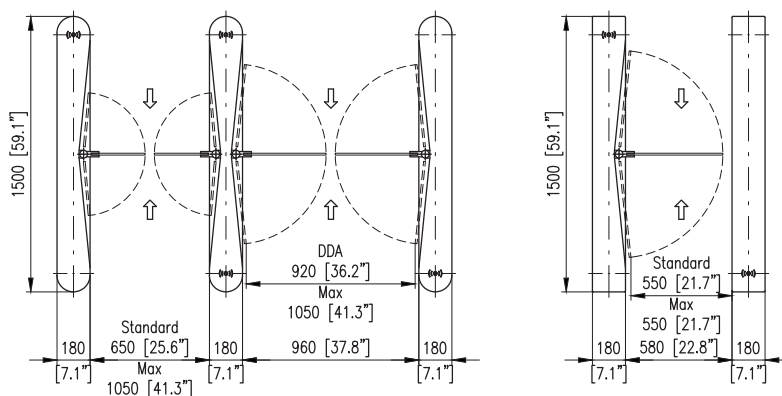
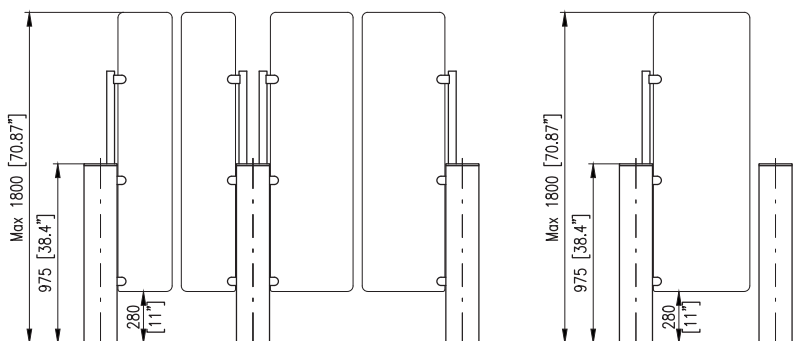
MDD drive with external tooth brake

Emergency Mode

Open automatically in the exit direction
Pushthrough feature*

Optional Accessories

- RFID reader bracket (flush mounted)
- Access Light / Lane Light / Edge Light
- WAV player
- Wing light / Hinge capping / Warning Light
- Pushthrough feature / Pressure sensing top
- USB convertor / Ethernet convertor
- EasyTouch / TouchPanel / T-MON SW
- SuperCap (emergency power back-up)
- Alternative surface finishes / Optional top finishes
- Integration of LiftCall / Card collector / BarCode scanner
- Side infill panel
- Ramp LT



* Optional accessories



EasyGate SPD-R

EasyGate SPD-G / SPD-R

Type

Swinging technology

1 wing / 2 wings

G model - round front

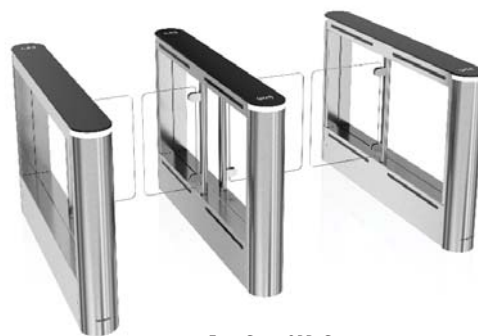
R model - square front

Safety & Security Detection

- 36 pairs of IR sensors
- Safety & Security levels
- Tailgating / Cross over detection

Dimensions

Cabinet height	975 mm	38.39"
Cabinet length	1 500 mm	59.06"
Cabinet width	180 mm	7.09"
Barrier height	850 mm	33.46"
Passage width standard*	650 mm	25.59"
Passage width max.*	1 150 mm	45.28"



EasyGate SPD-G



EasyGate SPD-R

* For 2 wings type



EasyGate SPD-G

Material and Colours

Cabinet	brushed stainless steel
Top Lid	black glass Top Lid
Barriers	glass barrier panels (10 mm / 0.39", tempered)
Side infill panel	6 mm (0.24") laminated glass panels

Operating Environment

Indoor

Drive Mechanism

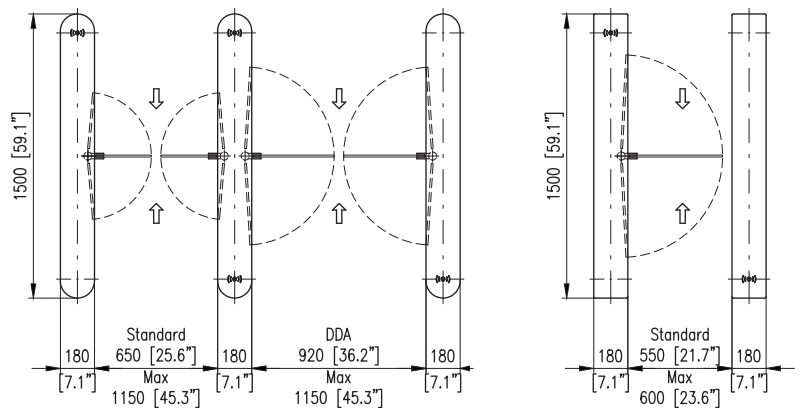
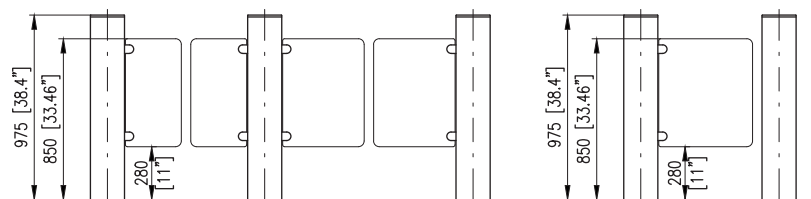
MDD drive with external tooth brake

Emergency Mode

Open automatically in the exit direction
Pushthrough feature*

Optional Accessories

- RFID reader bracket (flush mounted)
- Access Light / Lane Light / Edge Light
- WAV player
- Wing light / Hinge capping / Warning Light
- Pushthrough feature / Pressure sensing top
- USB convertor / Ethernet convertor
- EasyTouch / TouchPanel / T-MON SW
- SuperCap (emergency power back-up)
- Alternative surface finishes / Optional top finishes
- Integration of liftCall / Card collector / BarCode scanner
- Side infill panel
- Ramp LT



* Optional accessories



EasyGate SG 1000

EasyGate SG / SR 1000

Type

Swinging technology
 1 000 (length of cabinet in mm)
 1 wing / 2 wings
 SG model - round front
 SR model - square front

Safety & Security Detection

- 6-24 pairs of IR sensors
- Safety & Security levels
- Tailgating / Cross over detection

Dimensions

Cabinet height	990 mm	38.98"
Cabinet length	1 000 mm	39.37"
Cabinet width	200 mm	7.87"
Barrier height	850 mm	33.46"
Passage width standard*	650 mm	25.59"
Passage width max.*	920 mm	36.22"



EasyGate SG 1000



EasyGate SR 1000

* For 2 wings type



EasyGate SR 1000

Material and Colours

Cabinet	brushed stainless steel
Top Lid	brushed stainless steel with black glass corners
Barriers	glass barrier panels (10 mm / 0.39", tempered)
Side infill panel	6 mm (0.24") laminated glass panels

Operating Environment

Indoor / Outdoor covered*

Drive Mechanism

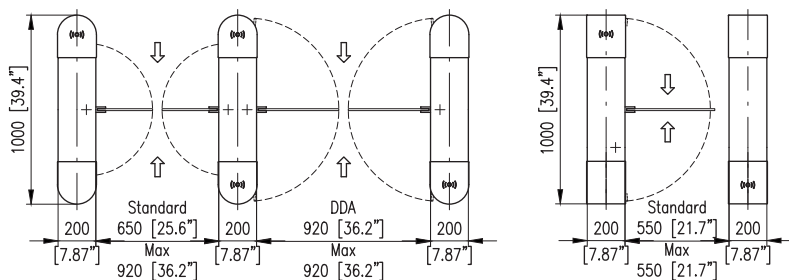
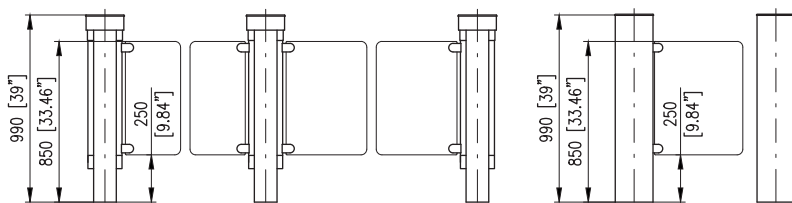
Fail-Safe

Emergency Mode

Open automatically in the exit direction

Optional Accessories

- RFID reader bracket (flush mounted)
- Access light / Lane Light**
- WAV player
- Outdoor package
- Wing light / Hinge capping
- USB convertor / Ethernet convertor
- EasyTouch / TouchPanel / T-MON SW
- SuperCap (emergency power back-up)
- Alternative surface finishes / Optional top finishes
- Ramp LT



* Optional accessories ** EasyGate SR only



EasyGate SG 1400

EasyGate SG / SR 1400

Type

Swinging technology
 1 400 (length of cabinet in mm)
 1 wing / 2 wings
 SG model - round front
 SR model - square front

Safety & Security Detection

- 8-36 pairs of IR sensors
- Safety & Security levels
- Tailgating / Cross over detection

Dimensions

Cabinet height	990 mm	38.98"
Cabinet length	1 400 mm	55.12"
Cabinet width	200 mm	7.87"
Barrier height	850 mm	33.46"
Passage width standard*	650 mm	25.59"
Passage width max.*	1 000 mm	39.37"



EasyGate SG 1400



EasyGate SR 1400

* For 2 wings type



EasyGate SR 1400

Material and Colours

Cabinet	brushed stainless steel
Top Lid	brushed stainless steel with black glass corners
Barriers	glass barrier panels (10 mm / 0.39", tempered)
Side infill panel	6 mm (0.24") laminated glass panels

Operating Environment

Indoor / Outdoor covered*

Drive Mechanism

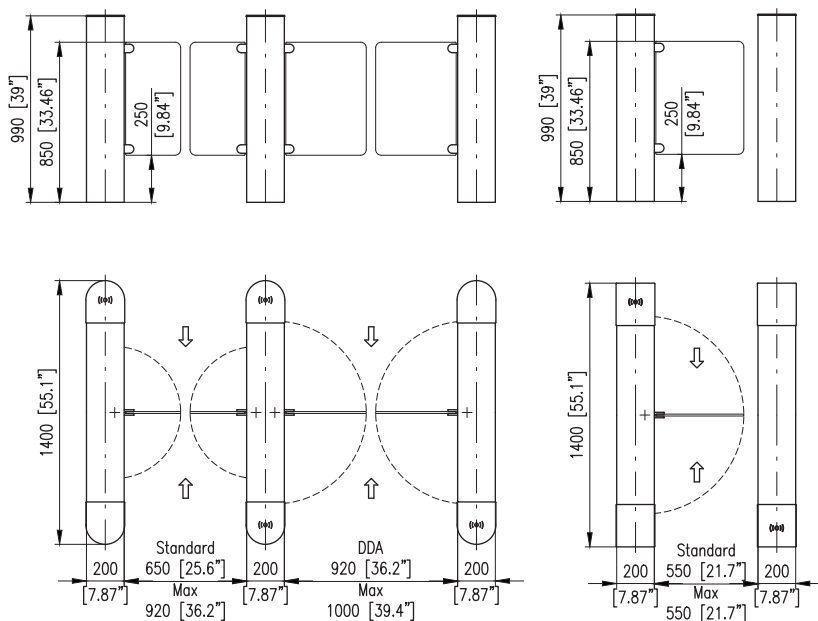
Fail-Safe

Emergency Mode

Open automatically in the exit direction

Optional Accessories

- RFID reader bracket (flush mounted)
- Access light / Lane Light
- WAV player
- Outdoor package
- Wing light / Hinge capping
- USB convertor / Ethernet convertor
- EasyTouch / TouchPanel / T-MON SW
- SuperCap (emergency power back-up)
- Alternative surface finishes / Optional top finishes
- Integration of LiftCall / BarCode scanner
- Ramp LT



* Optional accessories



EasyGate WN

Type

Swinging technology
 1 wing / 2 wings
 Square front

Safety & Security Detection

- 8 pairs of IR sensors
- Safety & Security levels
- Tailgating / Cross over detection

Dimensions

Cabinet height	1 070 mm	42.13"
Cabinet length	2 000 mm	78.74"
Cabinet width	210 mm	8.27"
Barrier height	900 mm	35.43"
Passage width standard*	650 mm	25.59"
Passage width max.*	1 200 mm	47.24"



EasyGate WN



EasyGate WN

* For 2 wings type



Material and Colours

Cabinet	brushed stainless steel
Top Lid	brushed stainless steel
Barriers	brushed stainless steel tube wing

Operating Environment

Indoor / Outdoor / Extreme weather conditions
(up to -40°C)*

Drive Mechanism

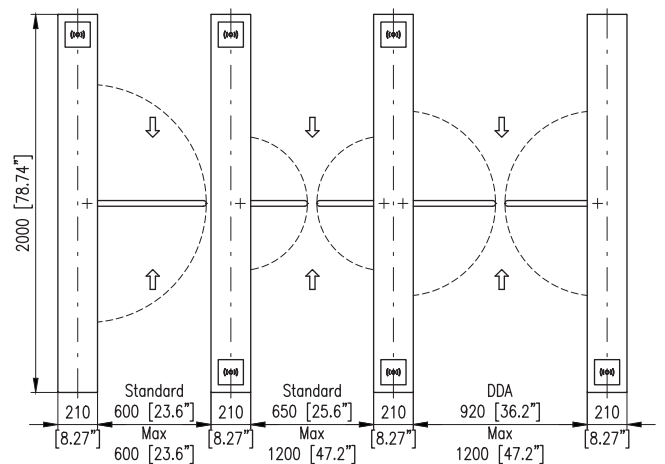
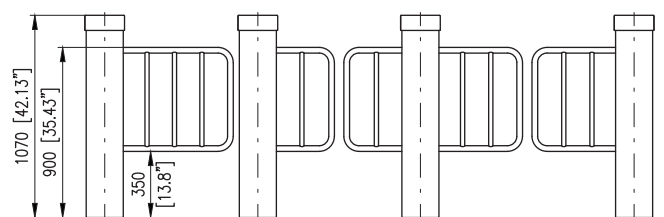
Fail-Safe

Emergency Mode

Open automatically in the exit direction

Optional Accessories

- RFID reader bracket (flush mounted)
- Access Light / Lane Light
- Outdoor package / Extreme outdoor package
- USB convertor / Ethernet convertor
- EasyTouch / TouchPanel / T-MON SW
- SuperCap (emergency power back-up)
- Alternative surface finishes
- Integration of BarCode scanner
- Induction loop system for detection of bicycles and scooters
- Ramp LT



* Optional accessories



EasyGate LG

Type

Sliding technology
 940 / 1 200 / 1 800 (height of glass barrier in mm)
 2 wings
 Round front

Safety & Security Detection

- 42 pairs of IR sensors
- Safety & Security levels
- Tailgating / Cross over detection

Dimensions

Cabinet height	990 mm	38.98"
Cabinet length	1 550 mm	61.02"
Cabinet width	330 mm	12.99"
DDA cabinet width	510 mm	20.08"
Barrier height	940 mm	37.01"
	1 200 - 1 800 mm	47.24" - 70.87"
Passage width standard	570 mm	22.44"
Passage width max.	920 mm	36.22"



EasyGate LG 1200 / 1800



EasyGate LG 940



Material and Colours

Cabinet	brushed stainless steel
Top Lid	brushed stainless steel
Barriers	glass barrier panels (8 mm / 0.31", tempered)

Operating Environment

Indoor

Drive Mechanism

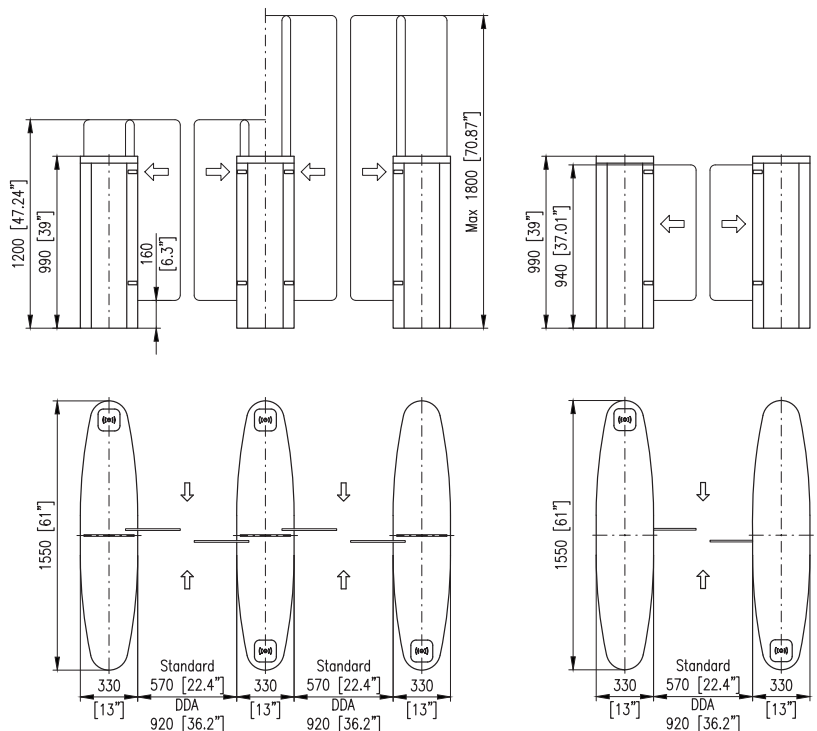
MDD drive

Emergency Mode

Open automatically

Optional Accessories

- RFID reader bracket (flush mounted)
- Access Light / Lane Light
- WAV player
- Wing light (only for 940 model)
- USB convertor / Ethernet convertor
- EasyTouch / TouchPanel / T-MON SW
- SuperCap (emergency power back-up)
- Alternative surface finishes / Optional top finishes
- Integration of LiftCall / Card collector / BarCode scanner
- Ramp LT





EasyGate BG

Type

Sliding technology
 950 (height of glass barrier in mm)
 2 wings

Safety & Security Detection

- 30 pairs of IR sensors
- Safety & Security levels
- Tailgating / Cross over detection

Dimensions

Cabinet height	990 mm	38.98"
Cabinet length	1 326 mm	52.21"
Cabinet width	330 mm	12.99"
Barrier height	950 mm	37.40"
Passage width	570 mm	22.44"



EasyGate BG



EasyGate BG



Material and Colours

Cabinet	brushed stainless steel
Top Lid	black glass Top Lid
Barriers	glass barrier panels (8 mm / 0.31", tempered)

Operating Environment

Indoor

Drive Mechanism

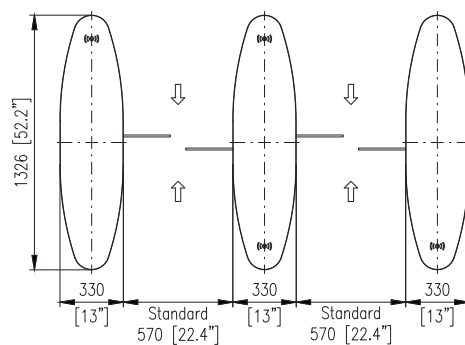
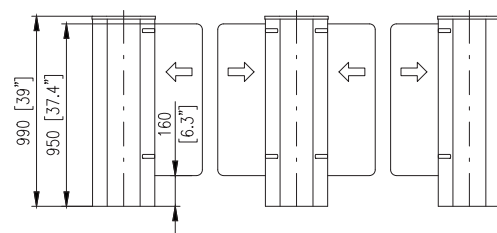
MDD drive

Emergency Mode

Open automatically

Optional Accessories

- RFID reader bracket (flush mounted)
- Access Light / Lane Light
- WAV player
- Wing light
- USB convertor / Ethernet convertor
- EasyTouch / TouchPanel / T-MON SW
- SuperCap (emergency power back-up)
- Alternative surface finishes / Optional top finishes
- Integration of LiftCall / Card collector / BarCode scanner
- Ramp LT





EasyGate LX 1800

EasyGate LX / LH

Type

Sliding technology

940 / 1 200 / 1 800 (height of glass barrier in mm)

2 wings

LX model - round front

LH model - square front

Safety & Security Detection

- 40 pairs of IR sensors
- Safety & Security levels
- Tailgating / Cross over detection

Dimensions

Cabinet height	990 mm	38.98"
Cabinet length	1 700 mm	66.93"
Cabinet width	320 mm	12.60"
DDA cabinet width	510 mm	20.08"
Barrier height	940 mm	37.01"
	1 200 - 1 800 mm	47.24" - 70.87"
Passage width standard	570 mm	22.44"
Passage width max.	920 mm	36.22"



EasyGate LX 1200/1800



EasyGate LH 940



EasyGate LH 940

Material and Colours

Cabinet	brushed stainless steel
Top Lid	brushed stainless steel with black glass corners
Barriers	glass barrier panels (8 mm / 0.31", tempered)

Operating Environment

Indoor / Outdoor covered

Drive Mechanism

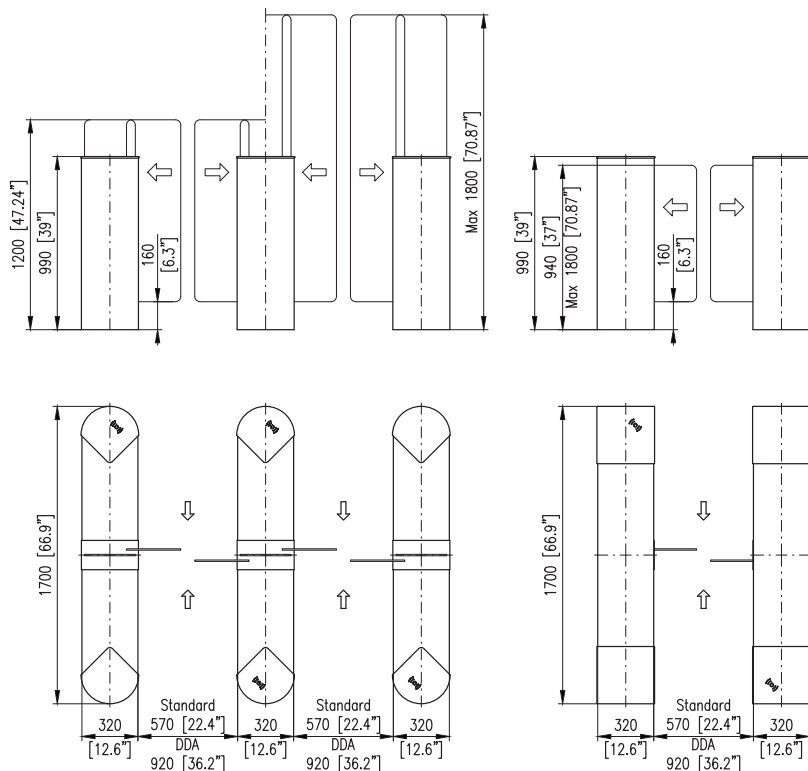
Fail-Safe

Emergency Mode

Open automatically

Optional Accessories

- RFID reader bracket (flush mounted)
- Access Light / Lane Light
- WAV player
- Outdoor package
- Wing light (only for 940 model)
- USB convertor / Ethernet convertor
- EasyTouch / TouchPanel / T-MON SW
- SuperCap (emergency power back-up)
- Alternative surface finishes / Optional top finishes
- Integration of liftCall / Card collector / BarCode scanner
- Ramp LT





EasyGate FL

EasyGate FL / FH

Type

Sliding technology

2 wings

FL model - round front

FH model - square front

Safety & Security Detection

- 40 pairs of IR sensors
- Safety & Security levels
- Tailgating / Cross over detection

Dimensions

Cabinet height	990 mm	38.98"
Cabinet length	1 700 mm	66.93"
Cabinet width	320 mm	12.60"
DDA cabinet width	510 mm	20.08"
Barrier height	940 mm	37.01"
Passage width standard	570 mm	22.44"
Passage width max.	920 mm	36.22"



EasyGate FL



EasyGate FH



EasyGate FL

Material and Colours

Cabinet	brushed stainless steel
Top Lid	brushed stainless steel with black glass corners
Barriers	glass barrier panels (10 mm / 0.39", tempered)

Operating Environment

Indoor / Outdoor covered

Drive Mechanism

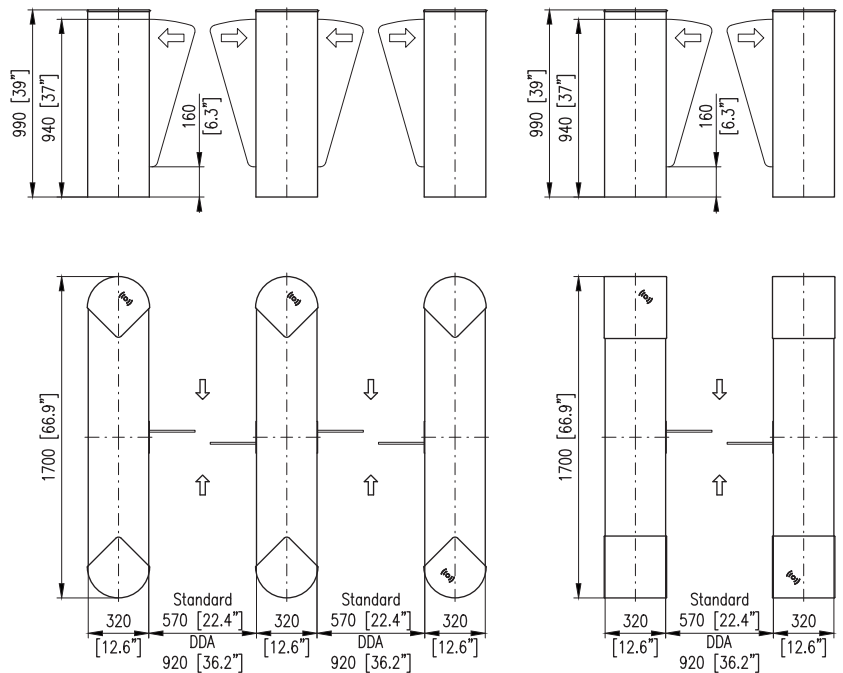
Fail-Safe

Emergency Mode

Open automatically

Optional Accessories

- RFID reader bracket (flush mounted)
- Access Light / Lane Light
- WAV player
- Outdoor package
- Wing light
- USB convertor / Ethernet convertor
- EasyTouch / TouchPanel / T-MON SW
- SuperCap (emergency power back-up)
- Alternative surface finishes / Optional top finishes
- Integration of LiftCall / Card collector / BarCode scanner
- Ramp LT





EasyGate SBG (Self Boarding Gate for Airports)

Type

Swinging technology
2 wings
Square front

Safety & Security Detection

- 50 pairs of IR sensors
- Safety & Security levels
- Tailgating / Cross over detection

Dimensions

Cabinet height	1 300 mm	51.18"
Cabinet length	1 550 mm	61.02"
Cabinet width	180 mm	7.09"
Barrier height	1 000 mm	39.37"
Passage width standard	630 mm	24.80"
Passage width max.	920 mm	36.22"



EasyGate SBG



Material and Colours

Cabinet	brushed stainless steel
Top Lid	brushed stainless steel
Barriers	acrylic glass barrier panels (10 mm / 0.39")
Side infill panel	10 mm (0.39") tempered laminated glass panels

Operating Environment

Indoor

Drive Mechanism

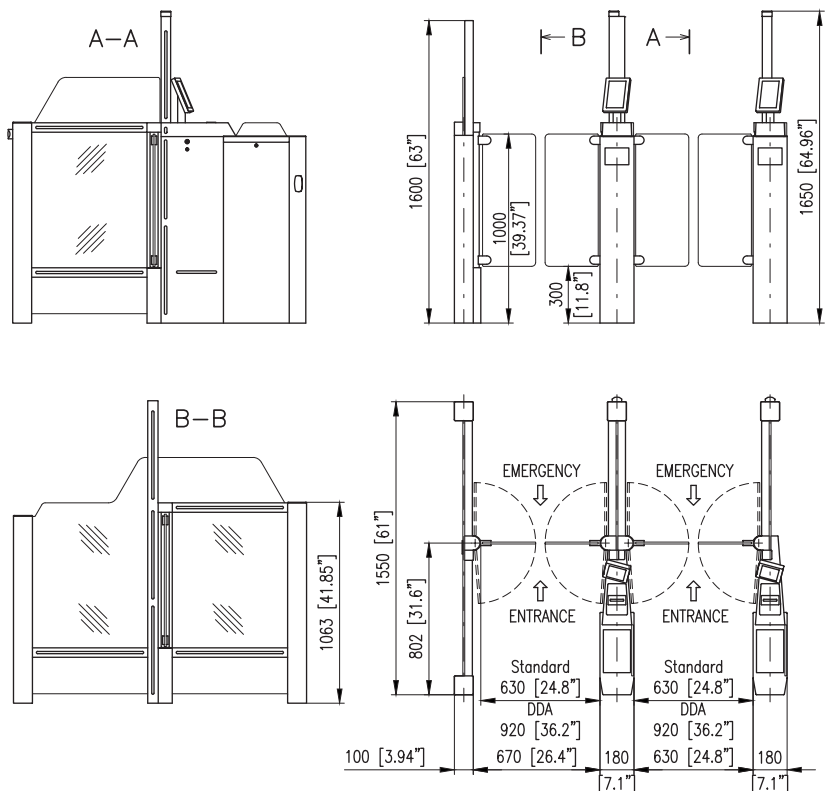
Fail-Safe

Emergency Mode

Open automatically in the exit direction

Optional Accessories

- RFID reader bracket (flush mounted)
- Lane Light / Top Light
- WAV player
- Wing light / Hinge capping
- USB convertor / Ethernet convertor
- EasyTouch / TouchPanel / T-MON SW
- SuperCap (emergency power back-up)
- Emergency push button
- Alternative surface finishes
- High-speed boarding pass thermal printer
- Ramp LT





EasyGate SPA (Small Payment Application with Coin Validator)

Type

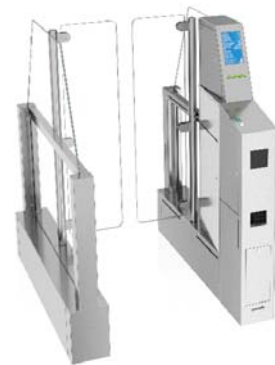
Swinging technology
2 wings
Square front

Safety & Security Detection

- 30 pairs of IR sensors
- Safety & Security levels
- Tailgating / Cross over detection

Dimensions

Cabinet height	1 400 mm	55.12"
Cabinet length	1 200 mm	47.24"
Cabinet width	180 mm	7.09"
Barrier height	1 400 mm	55.12"
Passage width standard	550 mm	21.65"
Passage width max.	920 mm	36.22"



EasyGate SPA



Material and Colours

Cabinet	brushed stainless steel
Top Lid	brushed stainless steel
Barriers	glass barrier panels (10 mm / 0.39", tempered)
Side infill panel	8 mm (0.31") tempered laminated glass panels

Operating Environment

Indoor

Drive Mechanism

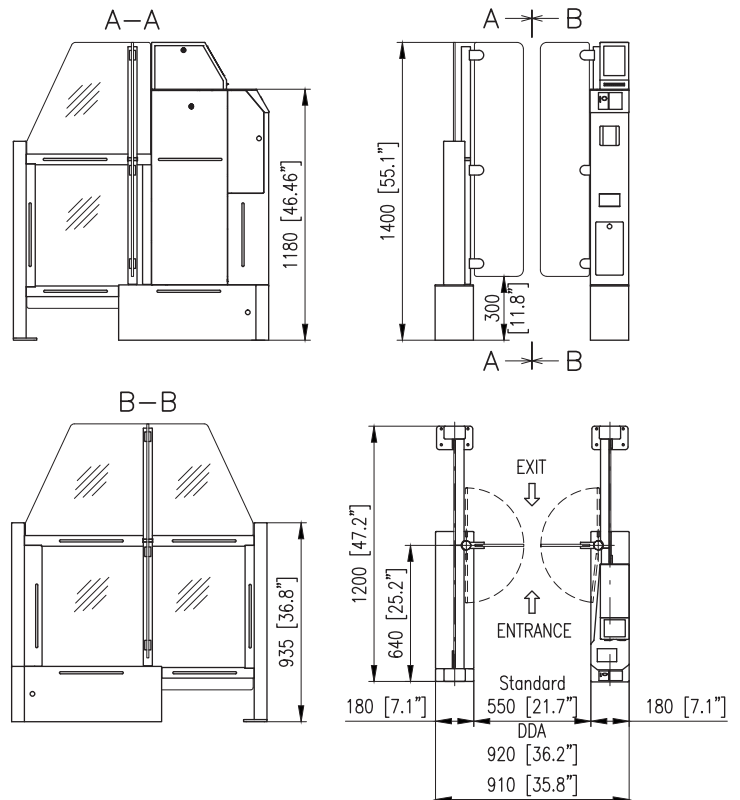
MDD drive with external tooth brake

Emergency Mode

Open automatically in the exit direction
Pushthrough feature*

Optional Accessories

- RFID reader bracket (flush mounted)
- Integration of Cashless payment system
- Lane Light
- WAV player
- Wing light / Hinge capping
- Pushthrough feature
- USB convertor / Ethernet convertor
- EasyTouch / TouchPanel / T-MON SW
- SuperCap (emergency power back-up)
- Emergency push button
- Alternative surface finishes
- Receipt & coupon thermal printer
- Ramp LT



* Optional accessories



Interlock Gate (High Security Double Speed Gate)

Type

Swinging technology

4 wings

G model - round front

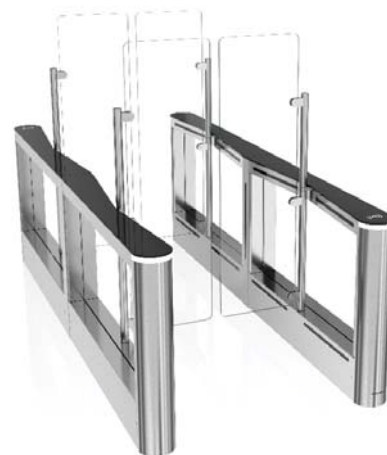
R model - square front

Safety & Security Detection

- 75 pairs of IR sensors
- Safety & Security levels
- Tailgating / Cross over detection

Dimensions

Cabinet height	975 mm	38.39"
Cabinet length	2 900 mm	114.77"
Cabinet width	180 mm	7.09"
Barrier height standard	1 200 mm	47.24"
Barrier height max.	1 800 mm	70.87"
Passage width standard	650 mm	25.59"
Passage width max.	1 050 mm	41.34"



Interlock gate



Material and Colours

Cabinet	brushed stainless steel
Top Lid	black glass Top Lid
Barriers	glass barrier panels (10 mm / 0.39", tempered)
Side infill panel	6 mm (0.24") tempered glass panels

Operating Environment

Indoor

Drive Mechanism

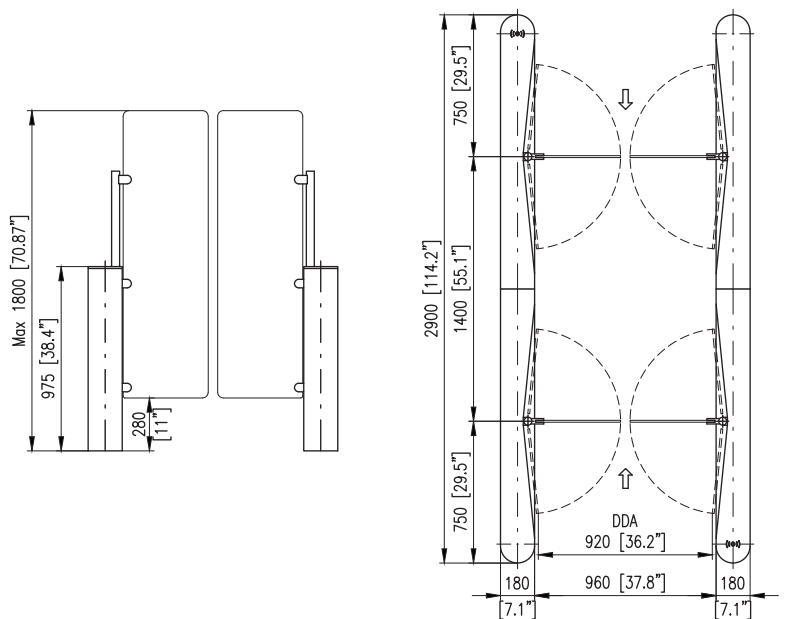
MDD drive with external tooth brake

Emergency Mode

Open automatically in the exit direction
Pushthrough feature*

Optional Accessories

- RFID reader bracket (flush mounted)
- Access Light / Lane Light / Edge Light
- WAV player
- Wing light / Hinge capping / Warning Light
- USB convertor / Ethernet convertor
- EasyTouch / TouchPanel / T-MON SW
- SuperCap (emergency power back-up)
- Alternative surface finishes / Optional top finishes
- Integration of liftCall / Card collector / BarCode scanner
- Side infill panel
- Ramp LT



* Optional accessories

Turnstile Model EasyGate



	Elite	Elite 3D Top	IM	BV	SPT-G/R
Type					
Shape of cabinet - rounded / square	• / -	• / -	- / •	- / •	• / •
Available models - 1 wing / 2 wings	• / •	• / •	• / •	• / •	• / •
Dimensions					
Cabinet Height in mm (inches)	990 / 38.98"	1 020 / 40.16"	995 / 39.17"	990 / 38.98"	975 / 38.39"
Cabinet Length in mm (inches)	1 400 / 55.12"	1 400 / 55.12"	1 500 / 59.10"	1 500 / 59.10"	1 500 / 59.06"
Cabinet Width in mm (inches)	120 / 4.72"	120 / 4.72"	210 / 8.27"	200 / 7.87"	180 / 7.09"
Glass wing barrier height in mm (inches)	up to 1 800 / 70.87"	900 / 35.43"	up to 1 800 / 70.87"	800 / 31.50"	up to 1 800 / 70.87"
Glass wing barrier thickness in mm (inches)	10 / 0.39"	10 / 0.39"	10 / 0.39"	10 / 0.39"	10 / 0.39"
DDA (ADA) Compliant	•	•	•	•	•
Standard Material					
Stainless steel cabinet (AISI 304) / Special material	• / -	• / -	- / •	- / •	• / -
Stainless steel top lid (AISI 304) / Glass top lid	- / •	- / -	- / -	- / -	- / •
Safety Features					
Emergency (Fire Alarm) input	•	•	•	•	•
Tailgating / Cross over	• / •	• / •	• / •	• / •	• / •
Number of sensor pairs (Transmitter / Receiver)	up to 30	up to 30	36	8	36
Pushthrough* / Pressure Sensing Top*	- / -	- / -	• / -	- / -	• / • [3]
Induction loop system for detection of bicycles and scooters	-	-	-	-	-
Fail-Safe motor [1] / MDD motor	• / -	• / -	- / •	• / -	- / •
Safety & Security mode (5 settings)	•	•	•	•	•
Barrier opening time (s)	0.7	0.7	0.5	0.7	0.5
Communication Interface					
Relay Inputs / Outputs	• / •	• / •	• / •	• / •	• / •
RS485 / USB* / Ethernet*	• / • / •	• / • / •	• / • / •	• / • / •	• / • / •
Operating Environment					
Indoor / Outdoor covered / Outdoor uncovered	• / - / -	• / - / -	• / - / -	• / - / -	• / - / -
Extreme weather condition	-	-	-	-	-
Optional Features					
Integrated RFID reader bracket - flush mounted	•	•	•	•	•
Access Light / Lane Light / Edge Light	• / - / •	• / - / •	• / • / -	• / • / -	• / • / •
Wing Light / Warning Light / WAV Player	• / - / •	• / - / •	• / • / •	• / - / •	• / • / •
Identification or Ticket Terminals	•	•	•	•	•
Implementation of: Lift controller / Visitor Card collector / BarCode scanner	- / • / -	- / • / -	• / • / •	• / • / •	• / • / •
Optional Remote Control Systems					
Remote control (EasyTouch, TouchPanel)	•	•	•	•	•
TMON software application (remote control from any PC) / Passage Scheduler (automatic planner)	• / •	• / •	• / •	• / •	• / •
Optional Power Supply Input					
24V DC / 24V AC / 230V AC	• / • / •	• / • / •	- / - / •	• / • / •	- / - / •
SuperCap	•	•	•	•	•
Optional Finishes					
Custom surface finish / Side infill panel	• / •	• / •	• / -	• / -	• / •
Custom Top Lid material / Custom cladding material	• / -	• / -	• / •	• / •	• / • [5]
Optional Mounting Accessories					
Ramp LT / Mounting console	• / •	• / •	• / •	• / •	• / •

[1] Free-to-move without power
• = Available

[2] Stainless steel tube wing
* = Not available

[3] Only with stainless steel Top lid
* Optional accessories

[4] Only for 940 mm high glass wing

[5] Only for square cabinet



SPD-G/R	SG/SR 1000	SG/SR 1400	WN	LG	BG	LX/LH	FL/FH	SBG	SPA	Interlock Gate
• / •	• / •	• / •	- / •	• / -	• / -	• / •	• / •	- / •	- / •	• / •
• / •	• / •	• / •	• / •	- / •	- / •	- / •	- / •	- / •	- / •	- / •
975 / 38.39"	990 / 38.98"	990 / 38.98"	1 070 / 42.13"	990 / 38.98"	990 / 38.98"	990 / 38.98"	990 / 38.98"	1 300 / 51.18"	1 400 / 55.12"	975 / 38.39"
1 500 / 59.06"	1 000 / 39.37"	1 400 / 55.12"	2 000 / 78.74"	1 550 / 61.02"	1 326 / 52.21"	1 700 / 66.93"	1 700 / 66.93"	1 550 / 61.02"	1 200 / 47.24"	2 900 / 114.17"
180 / 7.09"	200 / 7.87"	200 / 7.87"	210 / 8.27"	330 / 12.99"	330 / 12.99"	320 / 12.60"	320 / 12.60"	180 / 7.09"	180 / 7.09"	180 / 7.09"
850 / 33.46"	850 / 33.46"	850 / 33.46"	900 / 35.43"	up to 1 800 / 70.87"	950 / 37.40"	up to 1 800 / 70.87"	940 / 37.01"	1 000 / 39.37"	1 400 / 55.12"	up to 1 800 / 70.87"
10 / 0.39"	10 / 0.39"	10 / 0.39"	[2]	8 / 0.31"	8 / 0.31"	8 / 0.31"	10 / 0.39"	10 / 0.39"	10 / 0.39"	10 / 0.39"
•	•	•	•	•	-	•	•	•	•	•
• / -	• / -	• / -	• / -	• / -	• / -	• / -	• / -	• / -	• / -	• / -
- / •	• / -	• / -	• / -	• / -	- / •	• / -	• / -	• / -	• / -	- / •
•	•	•	•	•	•	•	•	•	•	•
• / •	• / •	• / •	• / •	• / •	• / •	• / •	• / •	• / •	• / •	• / •
36	up to 24	up to 36	8W	40	30	40	40	50	30	75
• / • [3]	- / -	- / -	- / -	- / •	- / -	- / -	- / -	- / -	• / -	• / • [3]
-	-	-	•	-	-	-	-	-	-	-
- / •	• / -	• / -	• / -	- / •	- / •	• / -	• / -	• / -	- / •	- / •
•	•	•	•	•	•	•	•	•	•	•
0.5	0.7	0.7	0.7	0.4	0.4	0.5	0.5	0.7	0.5	0.5
• / •	• / •	• / •	• / •	• / •	• / •	• / •	• / •	• / •	• / •	• / •
• / • / •	• / • / •	• / • / •	• / • / •	• / • / •	• / • / •	• / • / •	• / • / •	• / • / •	• / • / •	• / • / •
• / - / -	• / • / -	• / • / -	• / • / •	• / - / -	• / - / -	• / - / -	• / - / -	• / - / -	• / - / -	• / - / -
-	-	-	•	-	-	-	-	-	-	-
•	•	•	•	•	•	•	•	•	•	•
• / • / •	• / • / -	• / • / -	• / • / -	• / • / -	• / • / -	• / • / -	• / • / -	- / • / -	- / • / -	• / • / •
• / - / •	• / - / •	• / - / •	- / - / -	• / - / - [4]	• / - / -	• / - / • [4]	• / - / •	• / - / •	• / • / •	• / • / •
•	•	•	•	•	•	•	•	-	-	•
• / • / •	- / - / •	• / - / •	- / - / •	• / • / •	• / • / •	• / • / •	• / • / •	- / - / •	- / - / -	• / • / •
•	•	•	•	•	•	•	•	•	•	•
• / •	• / •	• / •	• / •	• / •	• / •	• / •	• / •	• / •	• / •	• / •
- / - / •	• / • / -	• / • / -	• / • / -	- / - / •	- / - / •	• / • / •	• / • / •	- / - / •	- / - / •	- / - / •
•	•	•	•	•	•	•	•	•	•	•
• / •	• / -	• / -	• / -	• / -	• / -	• / -	• / -	• / -	• / -	• / •
• / • [5]	• / • [5]	• / • [5]	- / -	• / -	• / -	• / • [5]	• / • [5]	- / -	- / -	• / • [5]
• / •	• / •	• / •	• / •	• / -	• / -	• / -	• / -	• / •	• / •	• / •

Options & Accessories



EASY::TOUCH – turnstile remote control console with an intuitive graphical user interface



TOUCH::PANEL – Touch-button panel for remote control of turnstiles and gates



TMON SOFTWARE – software application for easy remote control of the turnstiles and gates



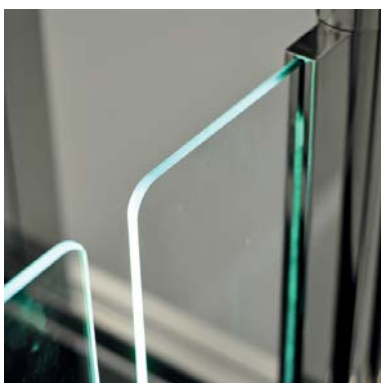
ACCESS LIGHT – access control light with integrated RFID bracket



LANE LIGHT – front mounted lane accessibility light panel



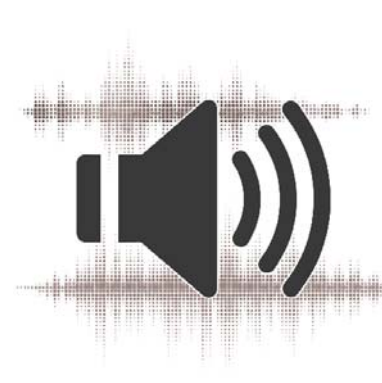
EDGE LIGHT – Information multicolour LED light belt



WING LIGHT – Light illumination of glass wing barrier



WARNING LIGHT – Emergency warning light



WAV PLAYER – sound signaling device for audio confirmation of turnstile operation mode



PRESSURE SENSING TOP – pressure sensing device integrated in top lid to detect climb over



PUSHTHROUGH – allows the turnstiles to be set with the hard lock only in the entry direction



SENSOR WALL – Optical sensors for EasyGate turnstile with wall mount



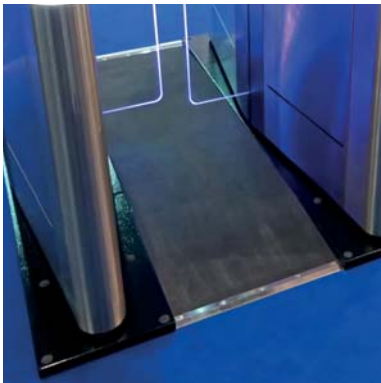
EXI-R – visitor card / badge collector with return function implemented in stainless steel pole



EXI2 – integrated visitor card collector with collection box



TICKETING TERMINAL – external implementation of identification terminals



RAMP LT – for installation on floor where drilling/cutting is not allowed



MOUNTING CONSOLE – mounting console for raised/suspended floor



GLASS INFILL BARRIER – convenient way to aesthetically enclose the secure areas from public area



ALTERNATIVE SURFACE FINISH – polished stainless steel/brushed stainless steel/etc.



SIDE INFILL PANEL – stainless steel side infill panel of EasyGate cabinet



ALTERNATIVE TOP LID – wood, stone, corian, glass etc.



LIFT CONTROLLER – integration of lift controller



OUTDOOR PACKAGE – special package for outdoor application (heating module + IP protection)



SUPERCAP – maintenance-free power package for Emergency opening of turnstile/gate

Project Design

Every project varies in its specifics, it can therefore be hard to choose from a standard turnstile range. We want you to realise your project visions, thus we offer you a turnstile range that can be customised to your desires.

We always seek for the perfect solutions for your projects; whether you need a higher level of security or a change of colour, surface finish or cabinet styling; whether you desire a bespoke material or to integrate other devices into the turnstile; our team will provide expert guidance to help you customise your turnstile solutions, to unlock your imagination to create the turnstile that best fits your specifications.

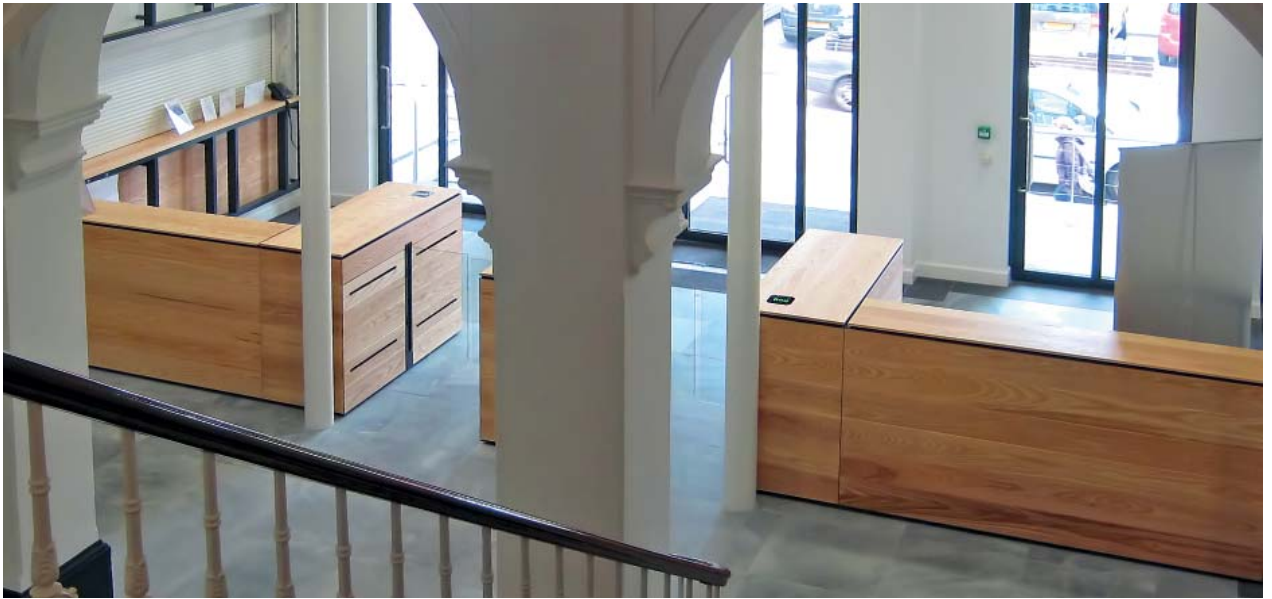
As part of the service we are able to provide 3D images to help you visualise how your new turnstile will look in site.



EasyGate SPT-R with black painted pedestal and black corian cladding



EasyGate LH 940 with white painted cabinet



EasyGate LH 940 with natural wood cladding



EasyGate SR 1000 with natural stone cladding



EasyGate SR 1000 with interconnection to REA::Ticket terminal



EasyGate BV with integration of Biometric/Time attendance terminal



EasyGate DG with integration of Visitor card collector



Integration of illuminated Emergency button

EasyGate Ticket

EasyGate Ticket is a unique concept integrating the EasyGate turnstile with the REA::Ticket terminal - both created by COMINFO - this ensures direct communication between the turnstile and ticketing terminal.

The design of the EasyGate Ticket solution which is based on the implementation of the ticketing terminal inside the turnstile cabinet with no external brackets, cables or other disturbing elements.

EasyGate Ticket offers a RFID reader, NFC technology as well as a BarCode scanner with an interconnection interface for all 3rd party Ticketing software.



EasyGate with integrated REA::Ticket terminal



EasyGate with integrated REA::Ticket terminal



ed. V1-2018

Specifications are subject to change without prior notice.



COMINFO, a.s.

Nabrezi 695, 760 01 Zlin - Prstne, Czech Republic

T +420 603 151 333

cominfo@cominfo.cz

www.cominfo.eu

cominfo
security first