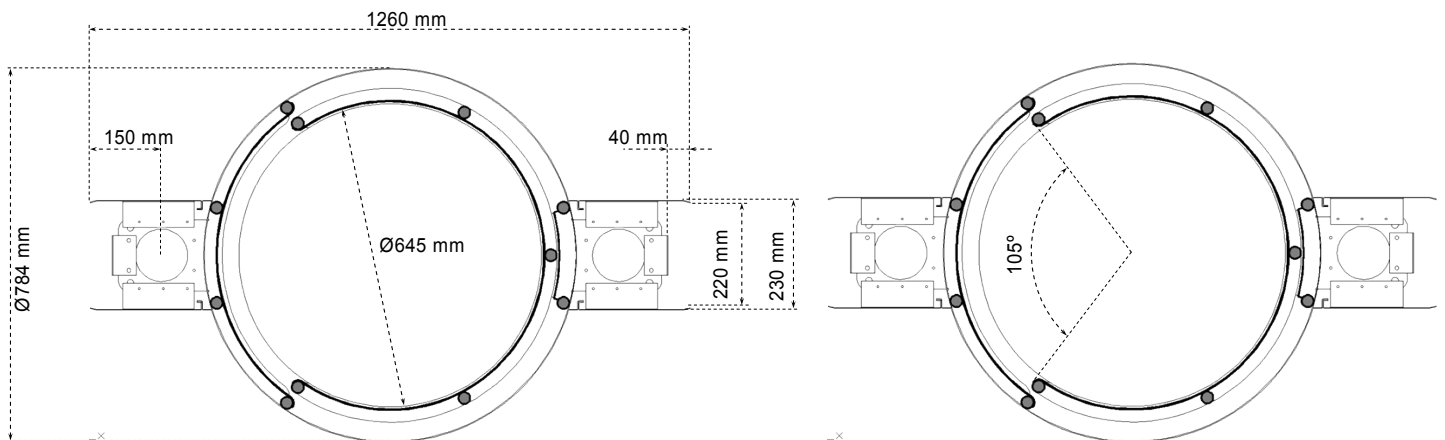
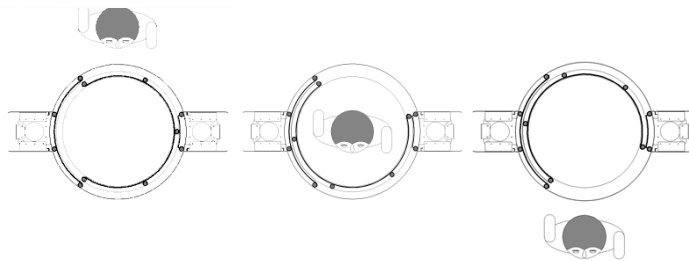
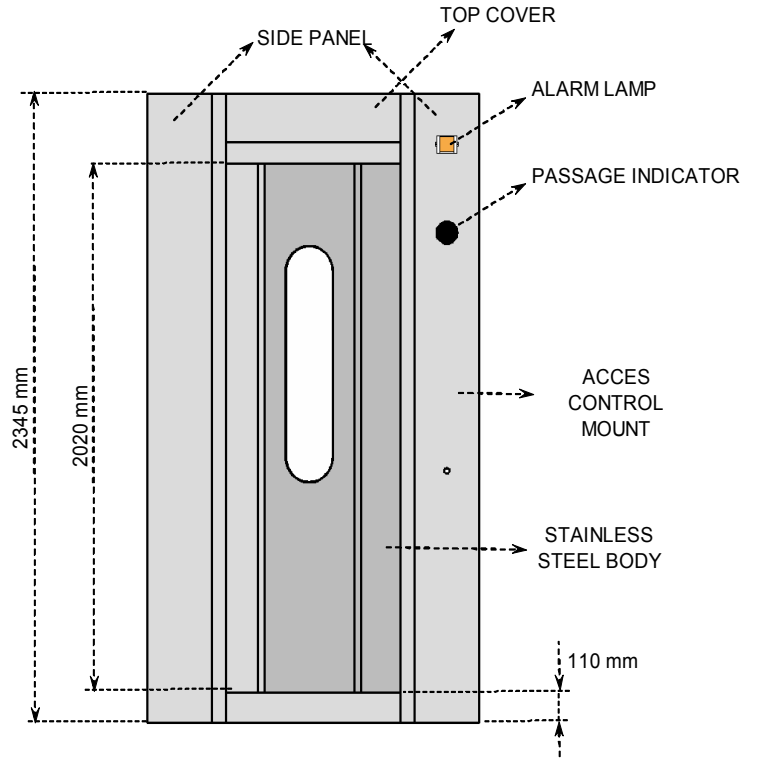


CGC 100



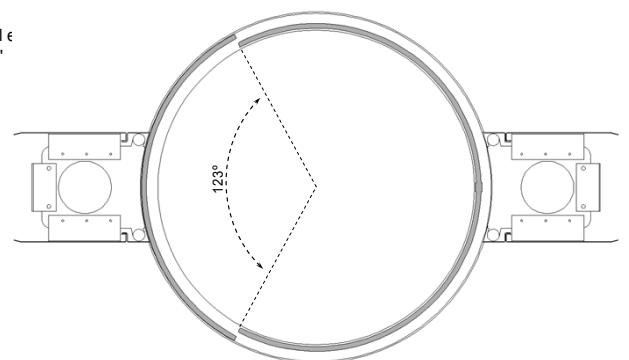
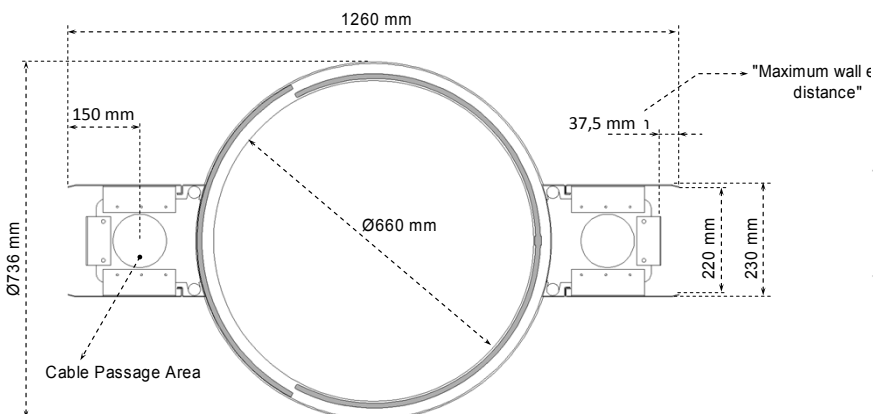
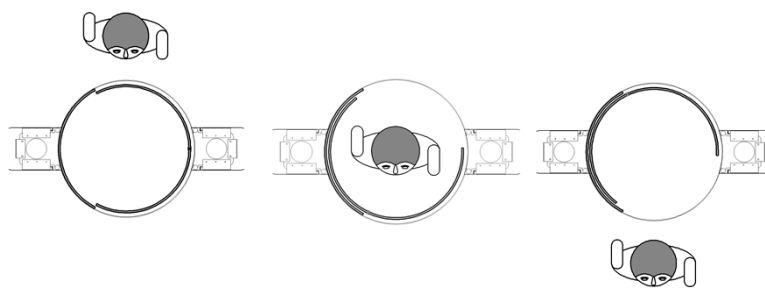
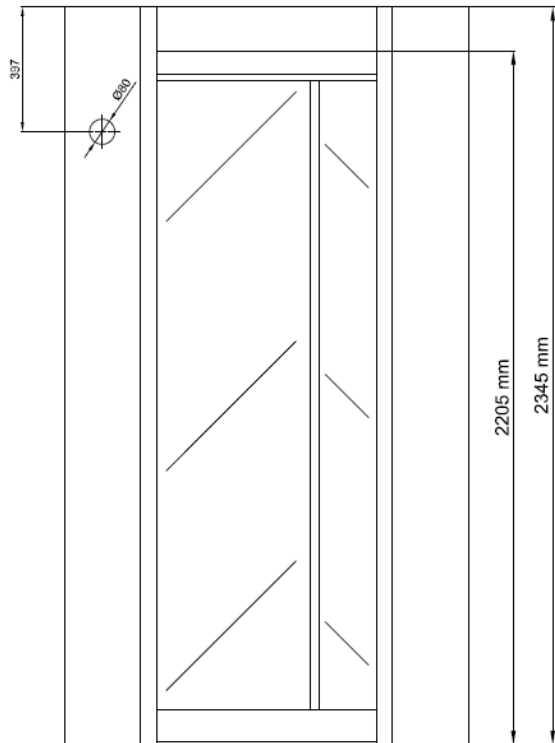


CYLINDER GATE TECHNICAL SPECIFICATIONS

Power Requirements	: 110/220V. 60/50Hz. AC (%±10) 24V. DC at standby ~14 W. max. ~130W.
Dimensions	: 1260x2345x784 mm
Flow Rate	: 2 Persons / Minute ❖ Please note that the above given figures are approximate for one person per walkway or lane. Utilisation of different access control units can change these figures between minimum and maximum rates
Body Features	: Exterior – Fixed access doors located between the supporting structure and the wall. Control unit is located above the ceiling panel on top cabinet. Interior - motor-driven rotating cylindrical cabinet provides controlled bi-directional access.
Indicator Feature	: Green & Red Dot Matrix LED on both side panels (Opt. Animated display).
Sliding Doors	: Cylindrical shaped, 1.5 mm thick, 304 grade stainless steel
Operating Temperature, Humidity, IP Rating	: -20°C to +68°C / RH 95% non-condensing / IP 44 Indoor Model
Minimum Passage Performance:	15 million passages.
Control System	: All inputs are opto-coupler protected. Controlled by dry contact or grounding input. Compatible with all access control systems that provide dry contact or grounding outputs. Optional RS232/RS485/TCP IP control module is available.
Operation	: Bi-directional, Microprocessor controlled DC motor driven system - Interior cylinder is closed to both directions at standby position; when a passage is authorized; the circular sliding door opens and allows entry into the cylinder. When a person enters the cylinder, the circular sliding door rotates in the opposite direction to allow exit from the other side. After the person leaves the cylinder, the circular sliding door rotates back to the standby position closing both entrances, ready for the next passage. - If the system is forced to rotate open without an authorization, alarm mode is activated and the system is locked. -If another person attempts to enter the cylinder without authorization while the first person exits, alarm mode is activated and the system is locked.
Indicators & Signalization	: Signalization is provided by means of direction indicators placed on both sides of the unit ("green arrow" indicating passage direction, "red bar" indicating unauthorized passage). In addition, a buzzer provides audible passage signal. Audio and visual warning signals are activated in alarm mode.
Reset Time	: Selectable by dipswitch; 6 – 8 - 18 sec.
Output Data	: The system provides dry contact passage feedback by relays.
Emergency Mode	: Emergency mode is activated by contact on emergency input terminals located on the control unit. Circular sliding doors can be rotated open manually to allow free exit. Green status indicators and audible alarm remain on in the emergency mode.
Flow Rate	: Capacity of Mechanism: ~2 passages/minute; Nominal: ~2 passages-per-minute (Recommended reference figure). ❖ Utilisation of different access control units can change the flow rate.
Standard Features	: Direction and Status Indicators, IR Height Sensor
Optional	: Weight sensor

**Design and specifications are subject to change without notice.*

CGG 100





CYLINDER GATE TECHNICAL SPECIFICATIONS

Power Requirements	: 110/220V. 60/50Hz. AC (%±10) 24V. DC at standby ~14 W. max. ~130W.
Dimensions	: 1260x2345x736 mm
Body Features	: Exterior – Fixed access doors located between the supporting structure and the wall. Control unit is located above the ceiling panel on top cabinet. Interior - motor-driven rotating cylindrical cabinet provides controlled bi-directional access.
Indicator Feature	: Green & Red Dot Matrix LED on both side panels (Opt. Animated display).
Sliding Doors	: Cylindrical shaped, 4+4mm laminated glass.
Operating Temperature, Humidity, IP Rating	: -20°C to +68°C / RH 95% non-condensing / IP 44 Indoor Model
Minimum Passage Performance:	15 million passages.
Control System	: All inputs are opto-coupler protected .Controlled by dry contact or grounding input. Compatible with all access control systems that provide dry contact or grounding outputs. Optional RS232/RS485/TCP IP control module is available.
Operation	: Bi-directional, Microprocessor controlled DC motor driven system - Interior cylinder is closed to both directions at standby position; When a passage is authorized, the circular sliding door opens and allows entry into the cylinder. When a person enters the cylinder, the circular sliding door rotates in the opposite direction to allow exit from the other side. After the person leaves the cylinder, the circular sliding door rotates back to the standby position closing both entrances, ready for the next passage. - If the system is forced to rotate open without an authorization, alarm mode is activated and the system is locked. -If another person attempts to enter the cylinder without authorization while the first person exits, alarm mode is activated and the system is locked.
Indicators & Signalization	: Signalization is provided by means of direction indicators placed on both sides of the unit ("green arrow" indicating passage direction, "red bar" indicating unauthorized passage). In addition, a buzzer provides audible passage signal. Audio and visual warning signals are activated in alarm mode.
Reset Time	: Selectable by dipswitch; 6 – 8 - 18 sec.
Output Data	: The system provides dry contact passage feedback by relays.
Emergency Mode	: Emergency mode is activated by contact on emergency input terminals located on the control unit. Circular sliding doors can be rotated open manually to allow free exit. Green status indicators and audible alarm remain on in the emergency mode.
Flow Rate	: Capacity of Mechanism: ~2 passages/minute; Nominal: ~2 passages-per-minute (Recommended reference figure). ❖ Utilisation of different access control units can change the flow rate.
Standard Features	: Direction and Status Indicators, IR Height Sensor
Optional	: Weight sensor, BR3 and BR4 poly carbonated bullet-proof glass

**Design and specifications are subject to change without notice.*