



PRICES LIST

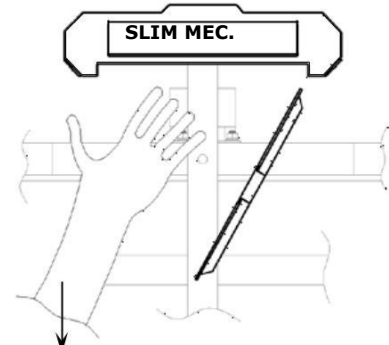
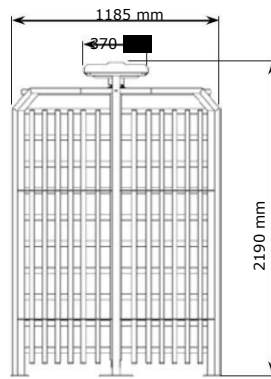
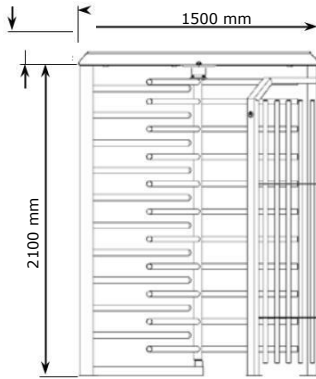
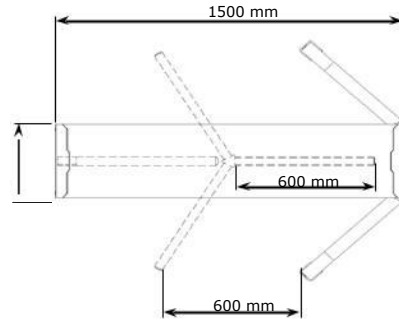
FULL-HEIGHT SLIM LINE TURNSTILE: **BT SLIM-3W (120° Rotor Arms)**



BUILT-IN PROPERTIES

- Single-Sided
- Material used is phosphate-coated mild steel, finish is electrostatic paint
- Top Lid Lock
- Aesthetical **Thin-Top-Head** Unit (With Hinged-Lid Mechanism)
- Down light is built-in property
- Indicator on the side separator
- Each wing is equipped with eleven-straight-arms
- Clear passage height is **2.10 mt**

*Please ask for detailed technical specifications



**Maintenance point
from the bottom lid**

NOTE: ALL STAINLESS STEEL MATERIALS MENTIONED IN THE PRICE LISTS OF OZAK TURNSTILE 304-GRADE STAINLESS STEEL AS A STANDARD. FOR THE OPTION OF 316-GRADE STAINLESS STEEL, PLEASE ASK FOR QUOTATION.

**THE PRICES ARE BASED ON EX-WORKS DELIVERY
VALID THROUGH 2011**

