

# PRODUCT TECHNICAL DATASHEET

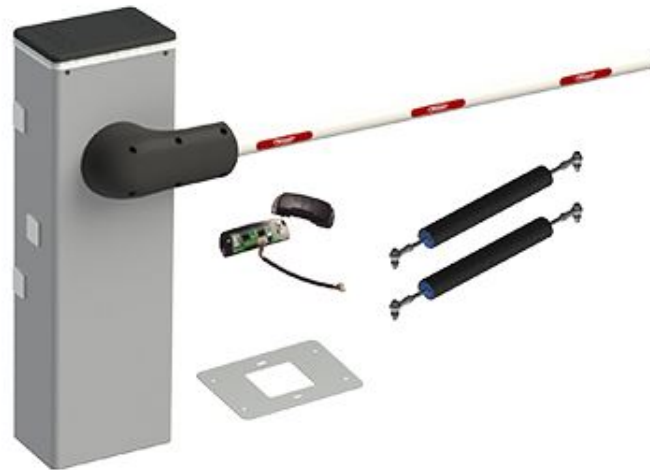
# BI/001PC

Brushless 

Intensive use 

High Speed 

Digital Encoder 



CODE	DESCRIPTION	PCS/PALLET
BI/001PC	Barrier BRUSHLESS 36V DC, rapid version, for booms up to 3 m, with on-board control unit and absolute encoder, irreversible, complete with xing plate with tie rods, boom fixing angles and flashing white LED light on header. Complete with signal status B73/EXP and 2 springs diameter 61mm SP/61/01. Parking version, for cylindrical boom BA/60/3.	6

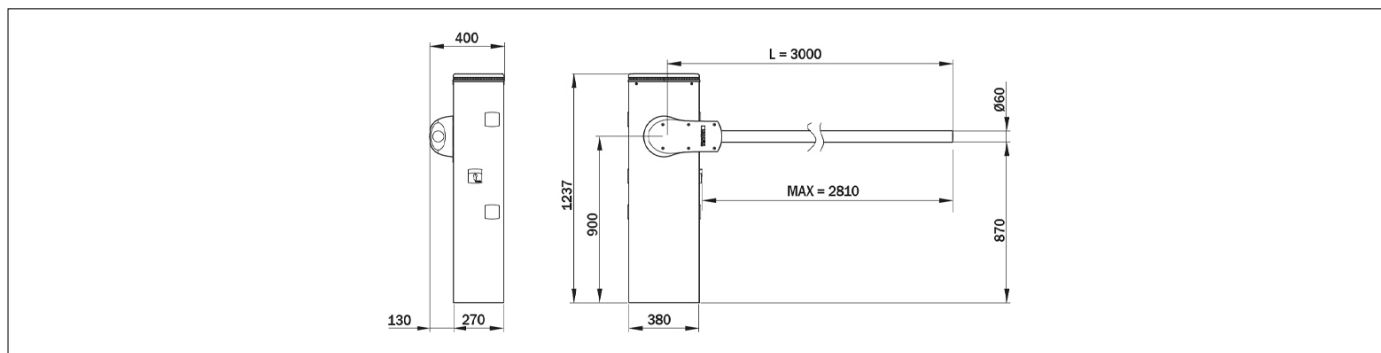
PRODUCT TECHNICAL SPECIFICATIONS	
Barriers	Up to 3 mt long
Power line supply	230V AC - 50/60Hz
Motor power supply	36V DC
Power	450W
Frequency of use	Continue use
Torque	10 - 200 N m
Operating temperature	- 20 + 55 C°
Protection level	IP54
Reductor Type	Irreversible
Opening time	1 ÷ 3 (sec)
Onboard control unit	CTRL/P
Encoder	Digital native encoder + magnetic digital SENSORED, 4096 PPR
Accessories power supply	24V DC
Colour	Cabinet: painted RAL9006 arabesque grey - Head: black arabesque silver painted - Boom support: black arabesque silver painted - Boom: painted RAL9010 matt
Release system	European Key cylinder
Batteries recovery	Available (optional)

---

BUS synchronization Master/Slave	No
Operating cycles per day (opening/closing - 24 hours no stop)	12000
Maximum dimension product in mm (L x W x H)	380 x 270 x 1237
Product weight packed (Kg)	87,6
Number items per pallet/box	6

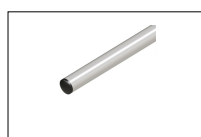
---

# PRODUCT DIMENSIONS AND PREPARING FOR INSTALLATION



DIMENSIONS

## PRODUCT ACCESSORIES



**BA/60/3**  
White painted cylindrical aluminium boom, 3 meters length.



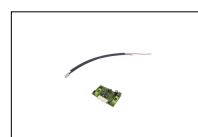
**ACS/BA/60**  
Break-away system for barrier, compatible only with BA/60/3 boom arm.



**ACS/BA/68**  
Break-away system for barrier, compatible with BA/68/3 and BA/68/4 boom arm.



**BI/BAT/KIT**  
Kit for emergency batteries charger for Brushless digital controller CTRL 36V DC with plug-in card, with 2 recovery batteries 12V DC, 4.5 Ah. Kit for BIONIK barrier.



**BI/BCHP**  
Plug-in card, batteries charger, for Brushless digital controller CTRL 36V DC, without recovery batteries, for BIONIK barrier.



**BT12V45**  
Battery 12V 4.5 Ah (1 pc).



**CRA/BAR**  
Column for photocells G90/F2ES - G90/F4ES for spaced installation on a barrier cabinet (+23 cm).



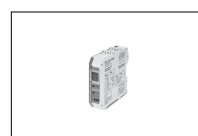
**CRA/BAR/M90**  
Column for photocells M90/F2ESO - M90/F4ESO for spaced installation on a barrier cabinet (+23 cm).



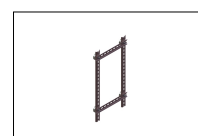
**B73/EXP**  
Signal status board, 2 output for CTRL - CTRL/P.



**DLD1/24**  
Loop detector for 1 loop, 2 output, 24V AC/DC.



**DLD2/24**  
Loop detector for 2 loops, 2 outputs + output alarm, 24V AC/DC.



**KT239**  
Kit DIN rail with magnetic supports.



**KT242**  
Kit for cable passage with magnetic support for barriers.



**R99/BASB20**  
Pack of 20 reflective adhesive stickers for boom barrier.