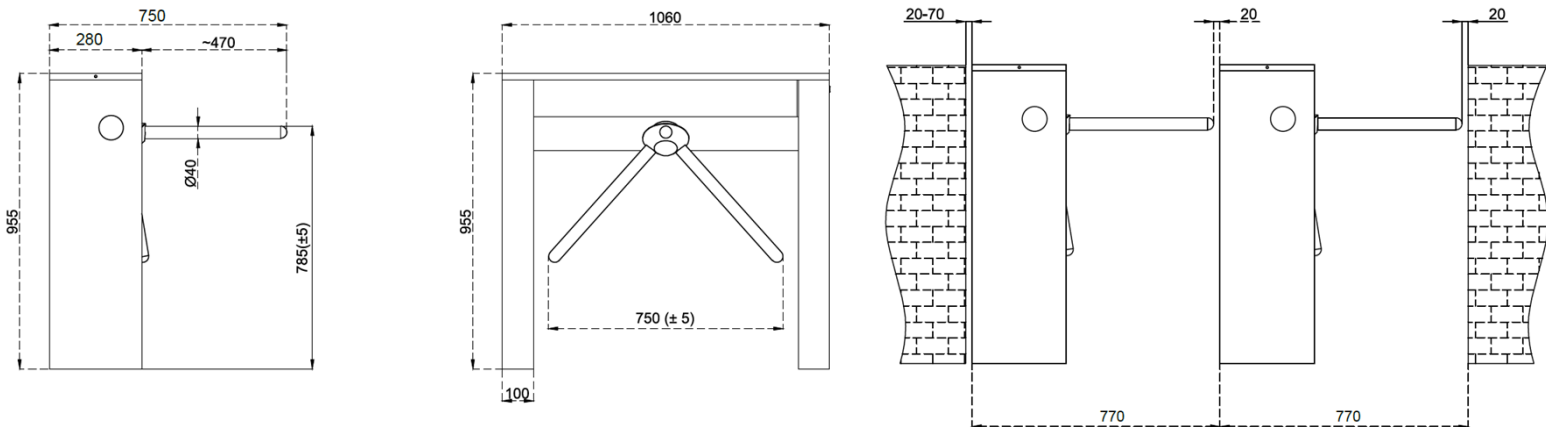
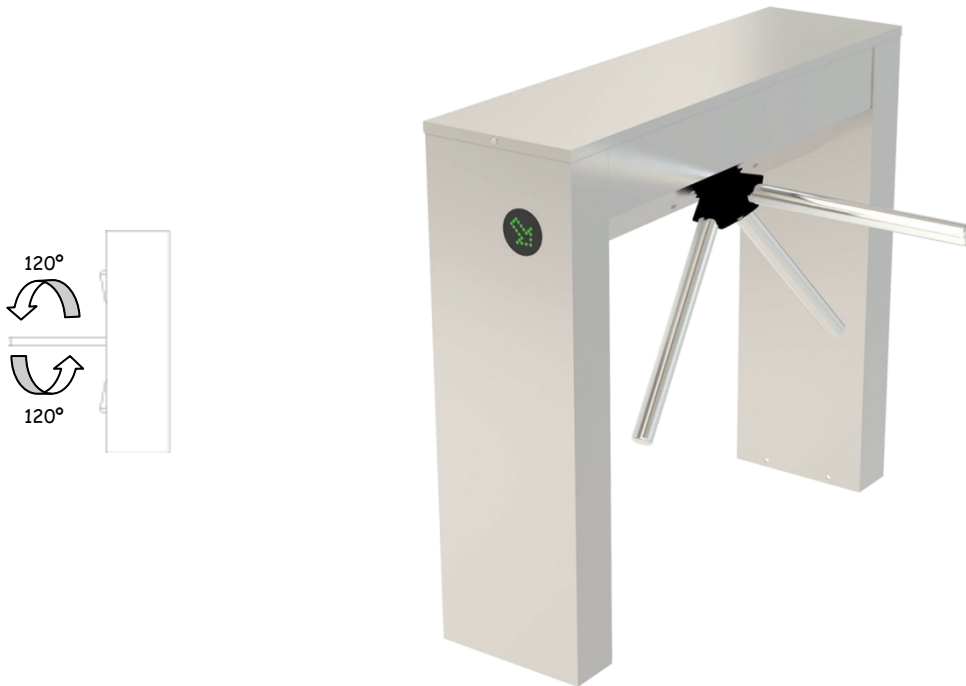




# 700 E N1 TECHNICAL SPECIFICATIONS



- Power Requirements** : 110/220V. 60/50Hz. AC (%±10) 24V. DC at standby ~11W. max. ~60W.
- Dimensions** : 1060x955x280 + Arm length (470mm)
- Arms** : Single-sided. Ø40mmx2mm 304-Grade (Opt. 316-Grade) Stainless steel (Opt. anodised hard aluminium). Arms can be dismantled or mounted one by one separately.
- Body Features** : 304-Grade (Opt. 316-Grade) Stainless steel with orbital brushed matt (opt. satin brushed) surface protected against water for outdoors use.
- Indicator Features** : Green Arrow & Red Cross LED
- Operating Temperature, Humidity, IP Rating** : -20°C to +68°C (Opt. -50°C with heater unit)  
RH 95% non-condensing / IP 54 Outdoor Model (Opt. IP 56)
- Minimum Passage Performance** : 15 million passages.
- Control System** : All inputs are opto-coupler protected .Controlled by dry contact or grounding input. Compatible with all access control systems that provide dry contact or grounding outputs. Optional RS232/RS485/TCP IP control module is available.



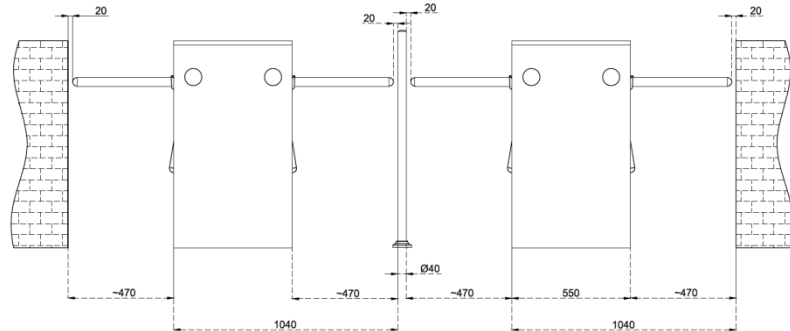
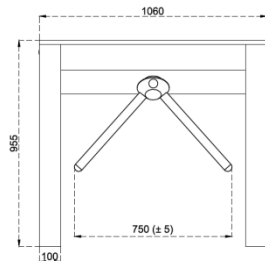
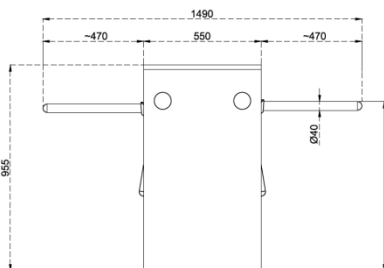
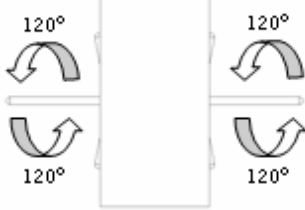
# 700 E N1 TECHNICAL SPECIFICATIONS

- Operation** : Bi-directional passage, manually (Opt. Motorized) operated system.
- Output Data** : The system provides dry contact passage feedback by relays.
- Emergency Mode** : (Standard: Fail Safe); in case of power failure or emergency, the arms rotate freely to allow rapid passage (Opt. Fail-Secure).
- Flow Rate** : Capacity of Mechanism (Manual System) ~90 passages/minute  
Nominal~25 - 46 passage-per-minute (Recommended reference figure)
- ❖ **Explanatory Notes:**
- The above given figures are approximated for one person per walkway or lane.
  - The system allows the new passage authorisation in less than ~0, 3 seconds. After the passage authorization, the total passage time depends on the pushing and passage speed of the people.
  - Utilisation of different access control units can change the flow rate.
- Standard Features** : Direction and status indicators
- Optional Accessory and Applications:**  
Remote control units, interface unit for PC, RS485, RS232 and LAN, counter, audio-messaging system, motor driven unit, automatic drop (retractable) arm, alarm sensor, heater positive unit, coin slot/intelligent coin system and coin box, card reader pole, pipe barrier (Separator), floor mounting plate, customised top covers to accommodate various accessories.

*\*Design and specifications are subject to change without notice.*



# 700 E N1 TECHNICAL SPECIFICATIONS



**Power Requirements** : 110/220V. 60/50Hz. AC (%±10) 24V. DC at standby ~22W. max. ~120W.

**Dimensions** : 1060x955x550 + arm length (2 x 470mm)

**Arms** : Double-sided. Ø40mmx2mm 304-Grade (Opt. 316-Grade) Stainless steel (Opt. anodised hard aluminium). Can be dismantled or mounted one by one separately.

**Body Features** : 304-Grade (Opt. 316-Grade) Stainless steel with orbital brushed matt (opt. satin brushed) surface protected against water for outdoors use.

**Indicator Features** : Green Arrow & Red Bar LED

**Operating Temperature, Humidity, IP Rating**  
: -20°C to +68°C (Opt. -50°C with heater unit)  
RH 95% non-condensing / IP 54 Outdoor Model (Opt. IP 56)



# 700 E N1 TECHNICAL SPECIFICATIONS

**Minimum Passage Performance** : 15 million passages.

**Control System** : All inputs are opto-coupler protected .Controlled by dry contact or grounding input. Compatible with all access control systems that provide dry contact or grounding outputs. Optional RS232/RS485/TCP IP control module is available.

**Operation** : Bi-directional passage, manually (Opt. Motorized) operated system.

**Output Data** : The system provides dry contact passage feedback by relays.

**Emergency Mode** : (Standard: Fail Safe); in case of power failure or emergency, the arms rotate freely to allow rapid passage (Opt. Fail Secure).

**Flow Rate** : Capacity of Mechanism (Manual System) ~90 passages/minute (for double sided 90+90=180) Nominal~25 - 46 passage-per-minute (for double sided=\*2) (recommended reference figure).

❖ **Explanatory Notes:**

- The above given figures are approximate for one person per walkway or lane.
- The system allows the new passage authorisation in less than ~0, 3 seconds. After the passage authorization, the total passage time depends on the pushing and passage speed of the people.
- Utilisation of different access control units can change the flow rate.

**Standard Features** : Direction and status indicators

**Optional Accessory and Applications:**

Remote control units, interface unit for PC, RS485, RS232 and LAN, counter, audio-messaging system, motor driven unit, automatic drop (retractable) arm, alarm sensor, heater positive unit, coin slot/intelligent coin system and coin box, card reader pole, pipe barrier (Separator), floor mounting plate, customised top covers to accommodate various accessories.

*\*Design and specifications are subject to change without notice.*