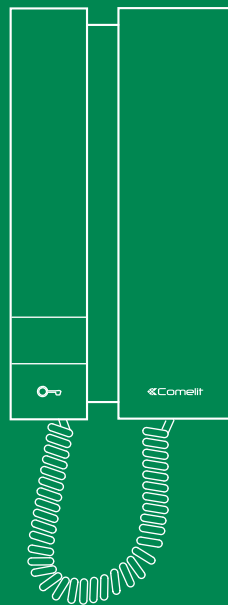


EN

TECHNICAL
MANUAL



Door-entry phone
Art. 2738W

 **Comelit**[®]
Passion. Technology. Design.

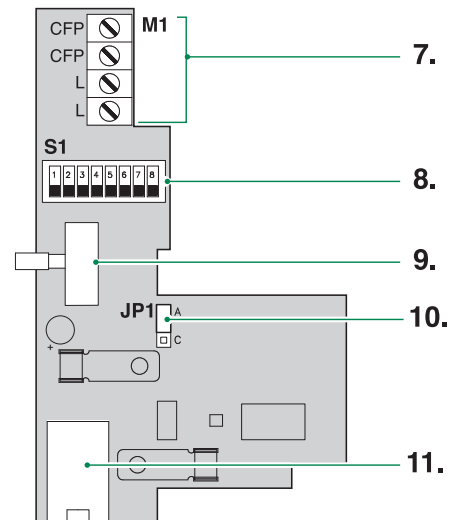
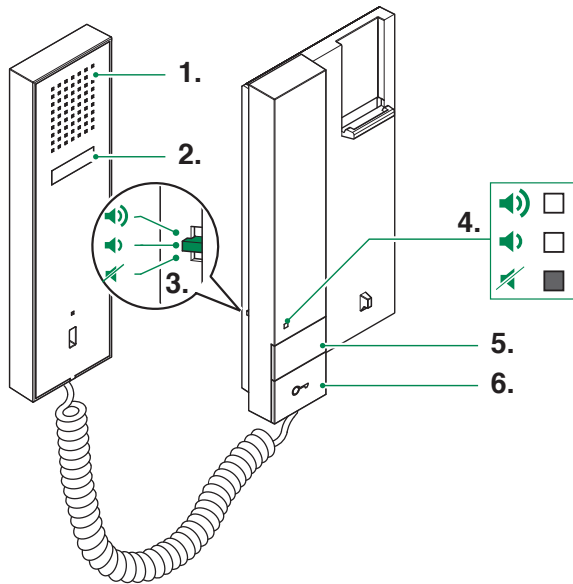
Table of contents



Description.....	3
Technical specifications	4
Installation.....	5
Connections.....	6
Connection to the video entry system riser.....	6
Branched connection to the video entry system riser from the internal video unit.....	6
Programming	7
System performance and layouts	7

Description

Article 2738W is a door-entry phone complete with 1 key button, 1 P1 button and a 3-position ringtone / Privacy service selector. Can be used in “Building Kit” systems (exclusively 2-wire).



1. Loudspeaker

2. Audio hook

⚠ Do not press and hold the audio hook while the handset is lifted

3. 3-position ringtone / Privacy selector:

High position: Maximum ringtone volume

Middle position: Medium ringtone volume

Low position: Privacy activation (Privacy service means exclusion of the call ringtone from the external unit and switchboard)

4. Red indicator signaling: Privacy service active

5. P1 button for switchboard call / Generic actuator

6. Key button

7. Terminal block **M1**:

CFP CFP floor door call input

LL BUS line connection

8. DIP-switch for setting user code (See [“DIP-switch programming table”](#)).

9. Bell / Privacy selector

10. **JP1** jumper for selecting the Generic actuator / Switchboard call function of button P1



C Switchboard



A Generic Actuator

11. Handset connector

Technical specifications

MAIN SPECIFICATIONS

Audio system	Yes
Audio/video system	Yes
Wall-mounted	Yes
Desk base-mounted	Yes
Product colour	White
Total buttons	2
LED signaling	No

FUNCTIONS

Actuator control function	Yes
Switchboard call function	Yes
Privacy function	Yes
Floor door call function	Yes
Electronic bell	Yes

SETTINGS

Loudspeaker volume control	Yes
Microphone volume control	No
Ringtone volume control	Yes

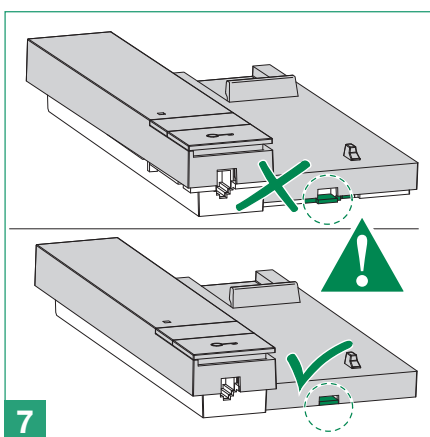
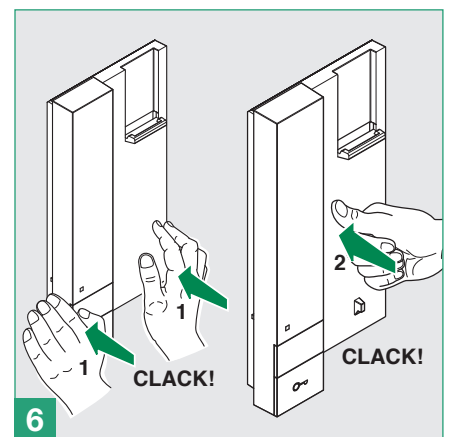
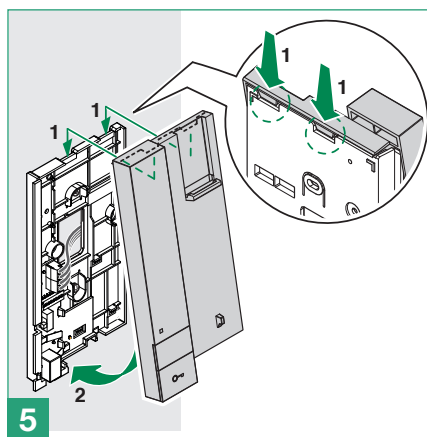
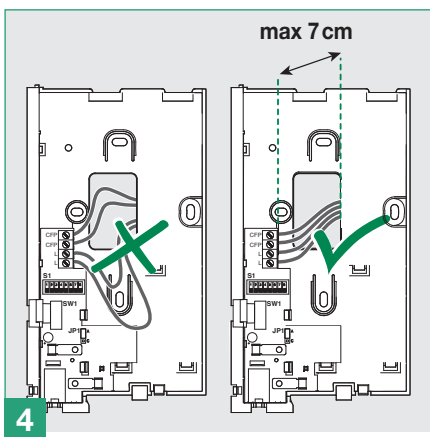
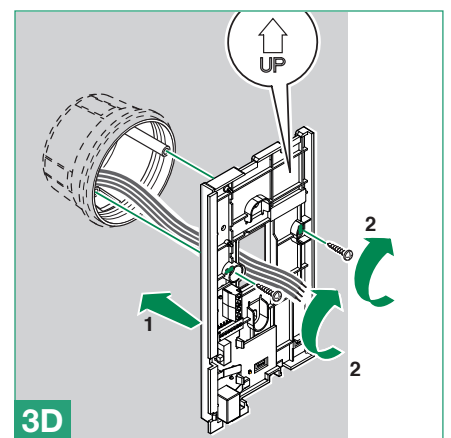
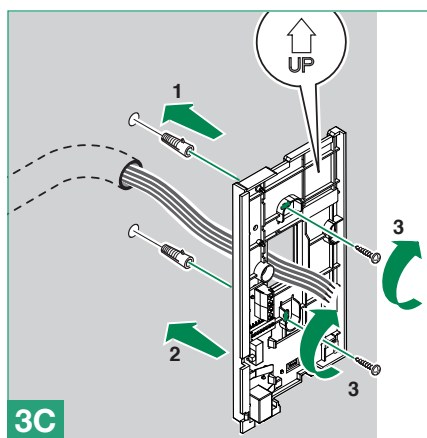
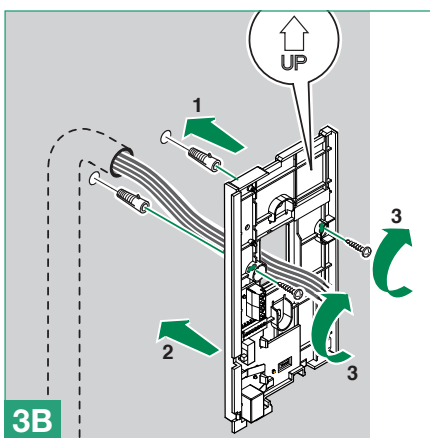
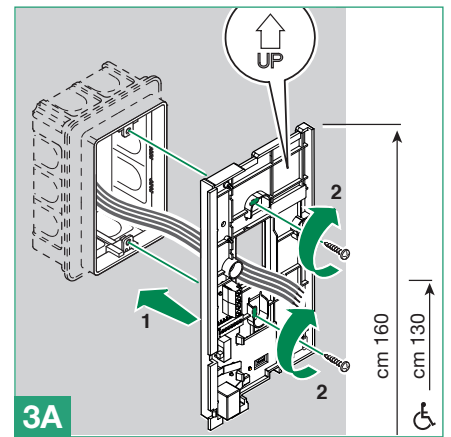
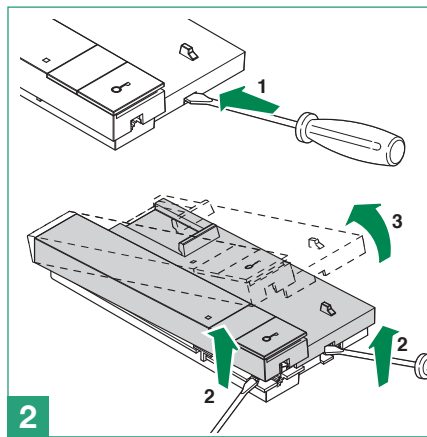
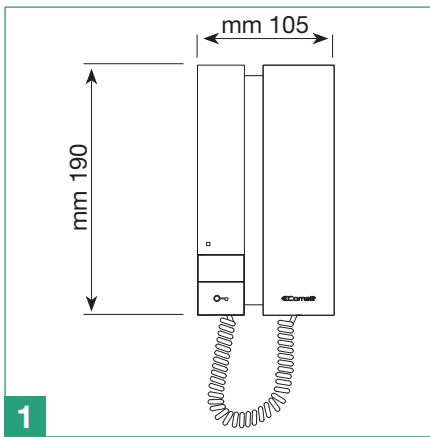
GENERAL INFO

Product height (mm)	190
Product width (mm)	103
Product depth (mm)	30

TECHNICAL SPECIFICATIONS

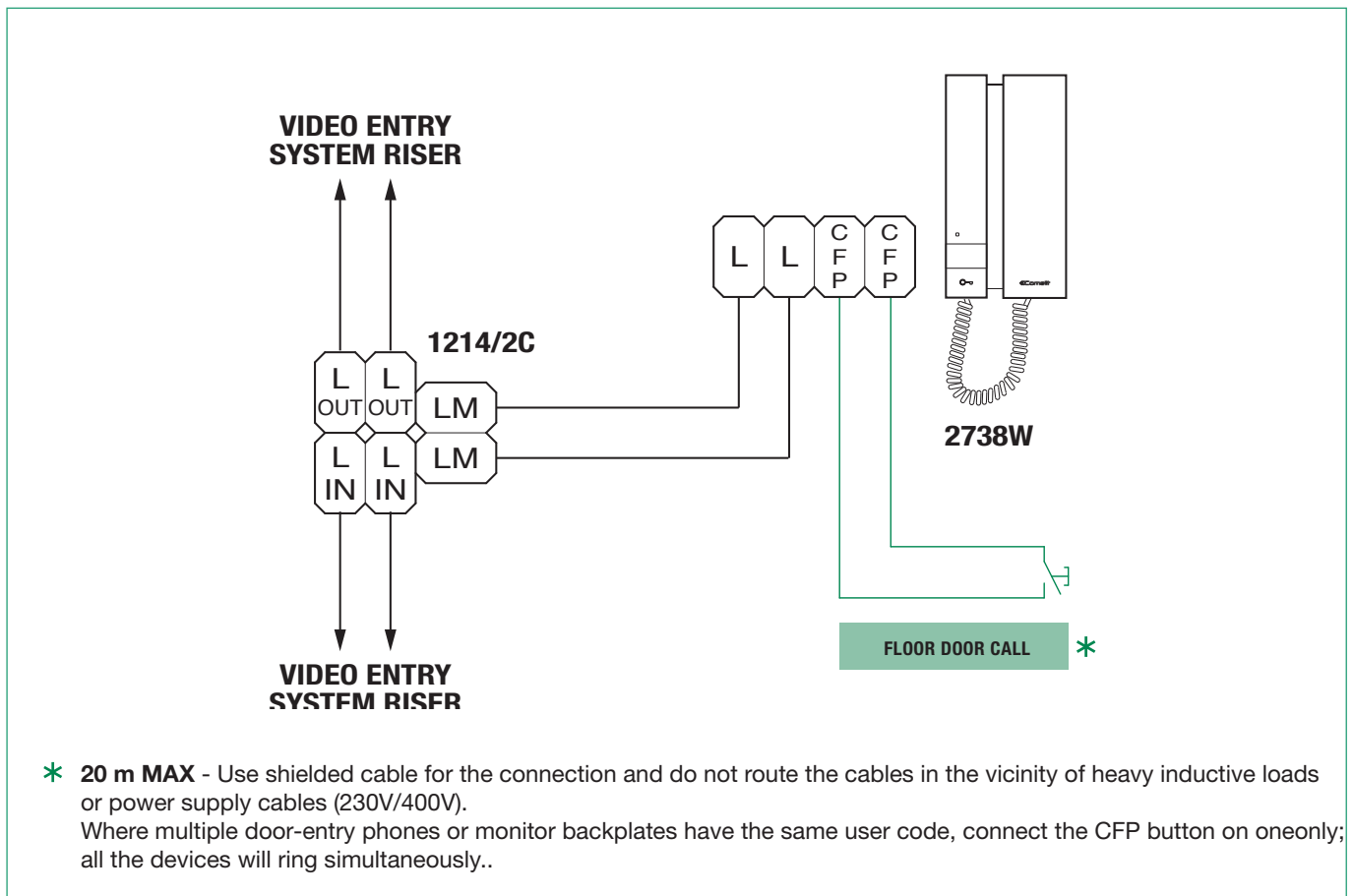
Power supply voltage	22÷35 Vdc
Power consumption stand-by (mA)	0,5÷0,710 Vdc
In called absorption (mA)	25÷30 mA
In communication absorption (mA)	23÷30 mA
Microphone	Ø 9,6 x 6,9 mm
Loudspeaker	Ø 0,50 mm ; Max Input Power 0,5W
IP Rating	30
Operating temperature (°C)	-5÷40
Product weight (g)	0,257 Kg
Clamps	L,L,CFP,CFP

Installation

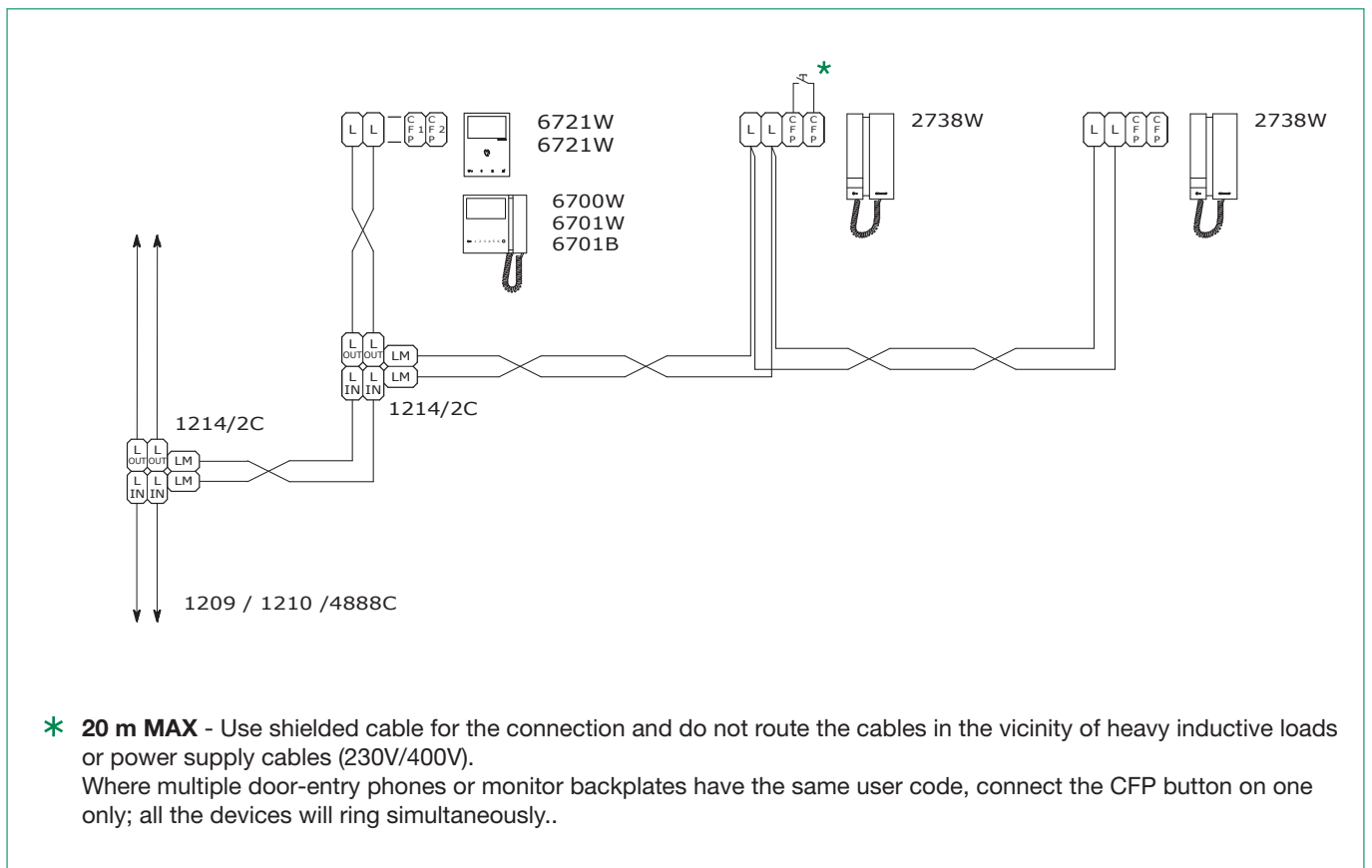


Connections

Connection to the video entry system riser



Branched connection to the video entry system riser from the internal video unit



Programming

- Each door-entry phone in the system is identified by means of its own code. This code must be set using the Dip switch on the phone card.
- The user code must be set according to the corresponding information provided in the programming table.
- Coding can take place at any time, even without a power supply.

System performance and layouts

For further information of system performance and to view installation layouts, click on the type of system that best meets your needs:

- [Audio/video kit](#) for the creation of audio-video systems for *individual residences*.
- [Building Kit audio/video system](#) for the creation of audio-video systems for *small apartment blocks*.
- [SBTOP audio/video system](#) for the creation of audio-video systems for *residential complexes*.
- [SB2 audio system](#) for the creation of audio systems for *residential complexes*.

CERTIFIED MANAGEMENT SYSTEMS



www.comelitgroup.com

Via Don Arrigoni, 5 - 24020 Rovetta (BG) - Italy

