

BAR ONE



BAR ONE is a unique single-arm tripod turnstile design concept that fills the niche between a traditional tripod and a drop arm turnstile system providing an efficient and affordable space saving solution for applications a traditional tripod may not meet the aesthetic demands.

Coupled with a fast acting rotating arm, the system provides an effective physical deterrence against tailgating and unauthorized access. The single arm system utilizes our exclusive patented Magnetic Direct Drive (MDD) offering the very latest in high tech motor technologies. The BAR One is virtually silent rotation providing a lifetime of maintenance-free operation, exceptional reliability are just a few of the many benefits of the MDD system.

Combining security, safety and high aesthetics at a incomparable price point for a single arm barrier system, the BAR One revolutionizes the tripod platform for use in applications a traditional tripod would not be considered.

BENEFITS

- UNIQUE ONE-ARM DESIGN SUITABLE FOR CLASS „A“ BUILDING'S & LOBBIES
- COMPACT CABINET WIDTH DESIGN: 210 MM (8.3")
- PATENTED DIRECT DRIVE UNIT PROVIDES PRECISE MOVEMENT FOR FAST THROUGHPUT
- INTUITIVE AND USER FRIENDLY UTILIZING SERVO DRIVE & POSITIONING
- SINGLE OR BI-DIRECTIONAL COMPATIBLE WITH ANY ACCESS CONTROL SYSTEM
- SMOOTH AND SILENT OPERATION
- ADVANCED OPTICAL DETECTION FOR CLIMB UNDER OR OVER
- STAINLESS STEEL CONSTRUCTION WITH A CHOICE OF FINISHES & TOPS
- UNOBSTRUCTED PASSAGE UPON LOSS OF POWER OR EMERGENCY
- ECONOMICAL ENTRANCE SOLUTION WITH A LOW COST OF OWNERSHIP

Materials and finishes:

Cabinet:	brushed stainless steel AISI 304
Top Lid:	brushed stainless steel AISI 304
Barrier Arm:	brushed, 40 mm (1,6") diameter stainless steel tube

Dimensions:

Cabinet height:	990 mm (39")
Cabinet length:	990 mm (39")
Cabinet width:	210 mm (8,3")
Passage width:	550 mm (21,7")

Standard equipment:

- Advanced Magnetic Direct Drive system (MDD)
- Magnetic tooth brake
- Optical sensors
- Unobstructed passage including automatic reset (arm remains in the vertical position during power failure, emergencies)
- Communication interface for various identification systems

Options & accessories:

- Optional surface finishes (polished, satin stainless steel/ blackened stainless/ bronze /etc.)
- Optional top finishes (glass/marble/RAL colours/custom)
- Signal devices
- Integrated reader bracket
- Access Light (top mounted pictogram)
- Remote control panel or touch screen display

Operating environment:

- Operation temperature: -20°C to +60°C (-4° to 140°F)
- Indoor

Communication interface:

Input/Output facilities: RS485 / Ethernet / USB / Others

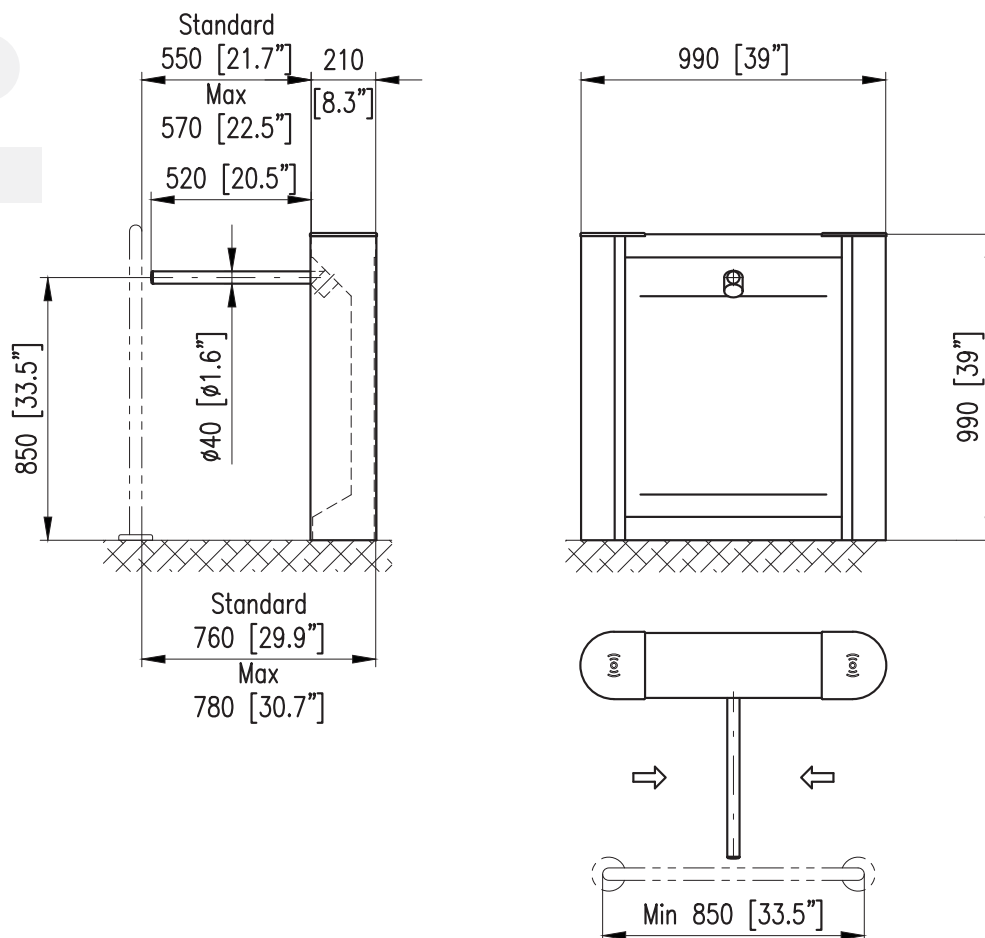


Power supply:

Power supply input (low voltage): 13,8 V DC
Optional: 24/230 V AC

Detection and safety sensors:

Single passage detection
Fraud detection: climb over/ crawl under



All dimensions in mm (inches).

* Specifications are subject to change without prior notice.