

The JA-68 universal output module

The JA-68 is a universal output module designed for use within Jablotron systems of the JA-80 OASiS, JA-63 Profi and JA-65 Maestro series. The module provides eight factory pre-programmed semiconductor outputs and a switch-over relay output. The relay can be configured using 10 DIP switches which allows for multiple function assignment. There is no limit in the number of JA-68 modules used in the system. There is no limit to the number of JA-68 modules used in the system and the JA-68 module can be combined with GSM, LAN or PSTN (landline) communicators.

The module is designed for being placed into the control panel housing.

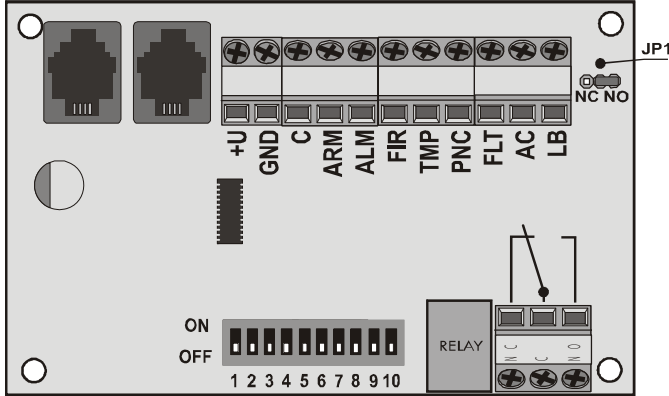


Figure 1

Semiconductor outputs

All semiconductor outputs are switchable to a common terminal labelled "C". The switching ON/OFF logic can be reversed by setting a jumper JP1 to the NC position (the factory default is NO).

Description of the terminals:

Terminal	Function
+U	Positive power supply from the digital bus (limited to 200 mA)
GND	Negative pole of the power supply
C	Common terminal (for all semiconductor outputs)
ARM	Anything-set status (A or AB or ABC)
ALM	Intruder alarm
FIR	Fire alarm
TMP	Tamper alarm
PNC	Panic alarm
FLT	Fault indication (general faults, radio communication faults, back-up battery supply faults)
AC	Mains (230V) supply fault
LB	Low battery indication (applies to wireless devices such as detectors, keypads, sirens or thermostats)

Relay configuration

The relay is configurable via a set of 10 DIP switches (see Table 2). The relay works with OR logic: it is switched ON if there is at least one preset function activated.

Example: Setting switches 2,3,4 and 5 to ON causes the relay to indicate intrusion, fire, tamper or panic alarms i.e. the relay switches ON if any of the four mentioned alarm states are activated.

DIP switches assignments:

Number	Label	Function
1	ARM	Anything set
2	ALM	Intrusion alarm
3	FIR	Fire alarm
4	TMP	Tamper alarm
5	PNC	Panic alarm
6	FLT	System fault
7	AC	Power supply fault
8	LB	Low battery
9	PGX	Control panel PGX output
10	PGY	Control panel PGY output

Description of relay terminals:

Label	Description
NC	Normally Closed relay contact
C	Common relay contact
NO	Normally Open relay contact

Note: There is a minimum output activation time of 10 seconds for each of the 8 + 1 outputs.

Specification

Power supply	12V (taken from the control panel)
Stand-by consumption	4mA
Maximum consumption (all outputs activated)	50mA
Outputs	8 semiconductor switches + 1 switch-over relay
Maximum current for single output activation	200mA
Maximum current for C, NC or NO activation	1A / 60V
Minimum output activation time	10 sec.
Digital bus connection	2x RJ-44 data connectors
Environment	indoor general
Operational temperature range	-10 to +40 °C
Complies with	EN 50130-4, EN 55022



JABLOTRON ALARMS a.s. hereby declares that the JA-68 is in compliance with the essential requirements and other relevant provisions of Directive 2004/108/EC. The original of the conformity assessment can be found on the web site www.jablotron.com, Technical Support section.

Note: Although this product does not contain any harmful materials we suggest you return the product to the dealer or directly to the manufacturer after use.