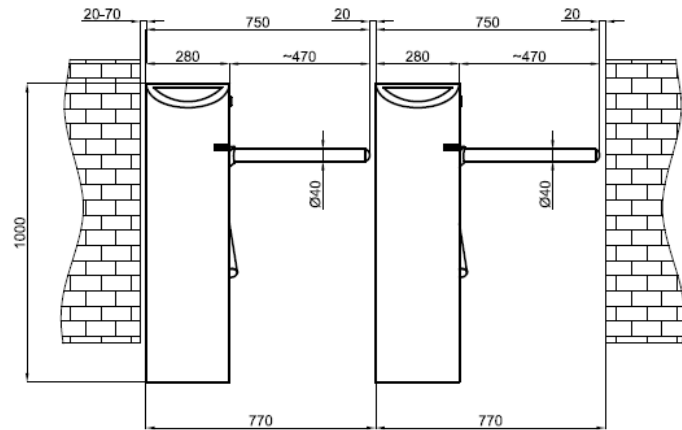
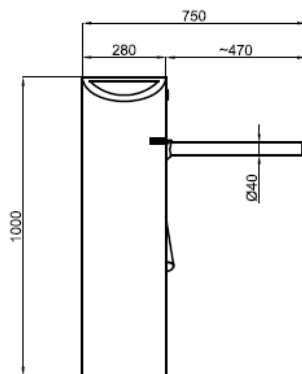
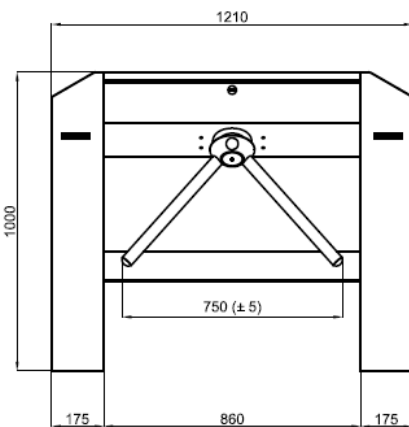
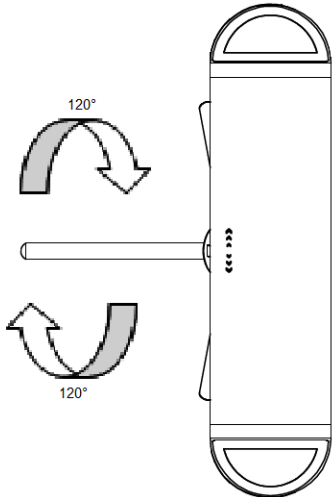




# 702 R N1 TECHNICAL SPECIFICATIONS



**Power Requirements** : 110/220V. 60/50Hz. AC (%±10) 24V. DC at standby ~11W. max. ~60W.

**Dimensions** : 1210 x 280 + Arm length (470 mm) x 1000 mm

**Arms** : (Automatic Drop Arm) Retractable Ø40mmx1,2mm 304-Grade (Opt. 316-Grade) (Opt. anodised hard aluminium). Arms can be dismantled or mounted one by one separately.

**Body Features** : 304-Grade (Opt. 316-Grade) Stainless steel with orbital brushed matt (opt. satin brushed) surface. Protected against water for outdoors use. Half- cylindrical rounded legs.

**Indicator Features** : Decorative indicators on both legs in double stripe form.

**Operating Temperature, Humidity, IP Rating** : -20°C - +68°C (-50°C with optional heater unit) / RH 95% non-condensing /



# 702 R N1 TECHNICAL SPECIFICATIONS

IP 54 Outdoor rated (Opt. IP 56)

**Minimum Passage Performance** : 15 million passages.

**Control System** : All inputs are opto-coupler protected. Controlled by dry contact or grounding input. Compatible with all access control systems that provide dry contact or grounding outputs. Optional RS232/RS485/TCP IP control module is available.

**Operation** : Motorized bi-directional passage system (Opt. Manual System); the system unlocks upon receiving input and motor is activated by a gentle push on the arm to allow passage.

**Output Data** : The system provides dry contact passage feedback by relays.

**Emergency Mode** : (Standard: Fail Safe); in case of power failure or emergency, the arm drops automatically to allow free passage (Opt. Fail Secure).

**Flow Rate** : Capacity of Mechanism (Motorized System):~48 passages/minute;  
Nominal ~25 - 46 passage-per-minute (Recommended reference figure)

❖ **Explanatory Notes:**

- The above given figures are approximate for one person per walkway or lane.
- The system allows the new passage authorisation in less than ~0, 3 seconds. After the passage authorization, the total passage time depends on the pushing and passage speed of the people.
- Utilisation of different access control units can change the flow rate.

**Standard Features** : Direction and status indicators on top and sides, motorized mechanism, (Automatic Drop) retractable arm.

**Optional Accessories and Applications**

: Remote control units, interface unit for PC, RS485, RS232 and LAN, counter, audio-messaging system, alarm sensor, heater positive unit, coin slot/intelligent coin system and coin box, card reader pole, pipe barrier (Separator), base plate, customised top covers to accommodate various accessories.

*\*Design and specifications are subject to change without notice.*