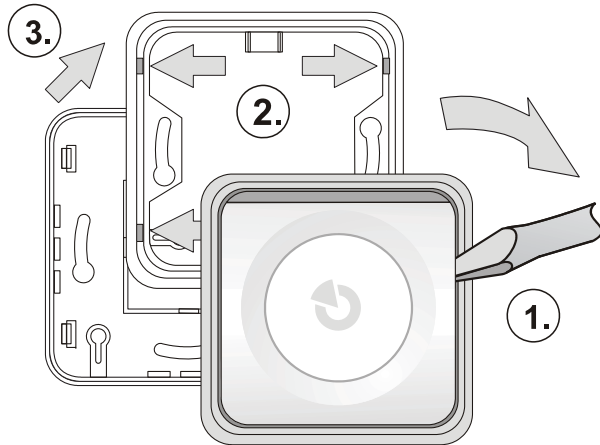


The JA-150A Internal wireless siren

The JA-150A is a component of the **JABLOTRON 100** system. It is used for alarm indication inside a building. It can also be used for other acoustic indications (PG outputs, entry/exit delays, door bell). Pressing the siren button can silence the alarm (= confirmation of a person's presence in the building) or trigger panic alarm (optional function). The siren is equipped with a backup battery for cases when AC dropouts can happen. The siren should be installed by a trained technician with a valid manufacturer's certificate.

Installation

The siren can be installed directly on the plaster or into an electro installation box.



1. Remove the siren body (button) from the frame – by levering in the vertical crevice (1.) with a screwdriver.
2. Press the tabs (2.) and remove the frame (3.).
3. Prepare a suitable opening and pull the power cable through.
4. Attach the plastic base to the selected place using screws.
5. Connect the power supply cable and battery.

The siren power supply can only be installed by a person with adequate electrotechnical qualification.



WARNING: This device is directly connected to mains electricity

6. Assembly the siren together. Attention, the tamper sensor (6) must be positioned above the magnet (5) in the plastic base.
7. Proceed according to the control panel installation manual. Basic procedure:
 - a. When the power supply is connected, the yellow LED (9) starts flashing to indicate that the siren has not been enrolled into the system.
 - b. Go to the **F-Link** program, select the required position in the **Devices** window and click on the **Assign** option – the enrollment mode is then launched.
8. Press the siren button (at the top or at the bottom) – the siren is thus enrolled and the yellow LED indicator goes off.

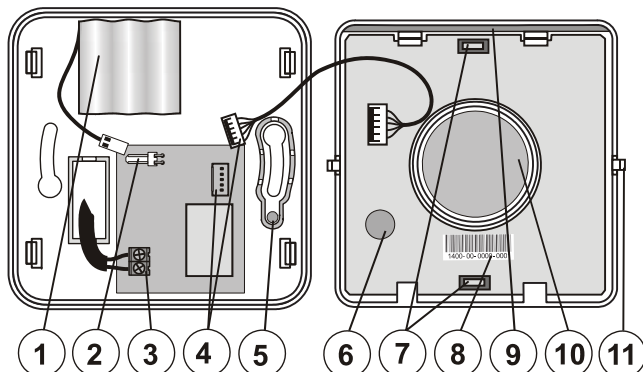


Figure: 1 – battery; 2 – battery connector; 3 – 230V AC power supply connection terminal; 4 – Siren and power supply segment connector; 5 – magnet on the tamper segment; 6 – tamper sensor; 7 – internal buttons; 8 – serial number; 9 – LED indicator; 10 – piezo-siren; 11 – button tabs

Warning: If the battery is low (reported to the control panel) the siren is not able to fully perform all its functions

Setting of properties

Go to the **Devices** tab in the F-Link software. When you are at the siren position, use the **Internal settings** option to open a dialog window where you can set: (* indicates default settings).

Sections: defines for which sections the siren should indicate an alarm and possibly also entrance / exit delays and system setting. The default setting is indication for all sections.*

Reaction: defines whether the siren should indicate **IW*** (internal warning) or **EW** (external warning) signal. Alarm indication with siren chirps can also be completely disabled (other functions remain active).

Siren tones: intermittent*, continuous

Maximum siren time: 1, 2, 3*, 4, 5 minutes.

Higher volume: YES / NO* - affects only entrance/exit delay signalling and sounds indicating PG output triggering.

Beeps during section control: YES / NO* - if enabled, the siren chirps once after setting, twice after unsetting and three times when unsetting after an alarm. It only does so for selected sections.

Entrance and exit delay beeps: YES / NO* if enabled, it indicates exit and entrance delay of the selected sections.

Acoustic signalling of PG output activity:

Sound indication can be set for each PG output:

Chirp 1 – slow chirping - 1 per second (for the whole period when the PG is active)

Chirp 2 – rapid chirping - 2 per second (for the whole period when the PG is active)

Chirp 3 - 1 chirp when the PG is activated, 2 chirps when the PG is deactivated

Chirp 4 – a long 20 sec chirp when the PG is activated

Function 5, 6, 7 – door bell melodies

Siren function priorities:

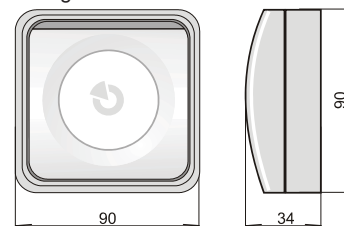
The siren sound enjoys the highest priority, the chirp during control has a lower priority and the PG output activity indication has the lowest priority (PG1 has a higher priority than PG2 etc). The chirp with higher priority always terminates the chirp with lower priority.

System reaction to the pressing of the siren button

The default setting is that pressing the siren button during alarm mutes the siren and concurrently confirms a person's presence in the building (a report is sent).

It is possible to change the siren button settings in order to function as a panic alarm button in the **Devices** window in the F-Link software. In such a case the system responds to the pressing with a panic alarm in the section to which the siren has been assigned.

When the system is in service mode, long pressing of the button can test its functioning.



Technical specifications

Power supply / wattage	230 V AC / 0.3 W
Backup / recharge time	min. 12 h / max 72 h
Battery / lifetime	3.6 V; 170 mAh / 3 years
/ minimum voltage when loaded	3.0 V
/ maximum voltage when unloaded	4.5 V
Communication band	868.1 MHz, JABLOTRON protocol
Communication range	approx. 300 m (unrestricted area)
Siren	piezo electric, 85 dB/m
Dimensions	90 x 90 x 35 mm
Classification	Grade II
according to	EN 50131-1, EN 50131-3
Operational environment according to EN	50131-1 II. Indoor general
Operating temperature range	-10 to +40 °C
Also complies with	EN 50130-4, EN 55022, EN 60950-1
Can be operated according to	ERC REC 70-03



JABLOTRON ALARMS a.s. hereby declares that the JA-150A is in compliance with the essential requirements and other relevant provisions of Directive 1999/5/EC. The original of the conformity assessment can be found at www.jablotron.com - Technical Support section



Note: Although this product does not contain any harmful materials we suggest you return the product to the dealer or directly to the producer after use. For more detailed information visit www.jablotron.com.